



PRO-200 series
在线手册

中文(简体) (Chinese (Simplified))

目录

使用本在线手册.....	13
商标和许可协议.....	14
纸张相关信息.....	29
支持的介质类型.....	30
纸张装入限量.....	34
不支持的介质类型.....	36
使用纸张.....	37
在 Art 纸张上打印前.....	38
从操作面板/Web 浏览器更改设置.....	40
操作面板.....	42
LCD 屏幕和操作面板.....	43
从操作面板更改设置.....	46
从操作面板更改设置.....	47
操作面板上的设置项目.....	49
打印设置.....	50
LAN 设置.....	51
PictBridge 打印设置.....	58
AirPrint 打印设置.....	60
智能手机照片打印设置.....	61
其他设备设置.....	62
语言选择.....	63
固件更新.....	64
纸张相关设置.....	65
节能设置.....	66
静音设置.....	67
管理员密码设置.....	68
在操作面板上设置管理员密码.....	69
重置设置.....	71
Web 服务设置.....	72
打印机信息.....	73
从计算机中更改打印机设置(Windows).....	74
更改打印选项.....	75

注册常用打印配置文件.....	76
更新打印机驱动程序中的介质信息.....	78
管理打印机电源.....	79
更改打印机操作模式.....	81
降低打印机噪音.....	83
使用 Web 浏览器更改打印机的设置.....	84
使用 Web 浏览器更改配置.....	85
可使用 Web 浏览器更改的设置项目.....	87
设置密码.....	89
注册打印机根证书至 Web 浏览器以进行 SSL 通讯(远程用户界面).....	91
注册打印机根证书至本地计算机以进行 SSL 通讯.....	95
生成服务器证书(自签名证书).....	101
各部分的说明.....	104
前视图.....	105
后视图.....	107
内部视图.....	108
电源供应.....	109
确认电源已开启.....	110
开启和关闭打印机.....	111
检查电源插头/电源线.....	113
拔出打印机插头.....	114
使用纸张、多用途托盘等.....	115
装入纸张.....	116
纸张来源.....	117
在上端进纸盘中装入纸张.....	119
在手动进纸托盘中装入纸张.....	123
在上端进纸盘中装入信封.....	127
注册纸张信息.....	131
放置多用途托盘.....	135
使用多用途托盘打印时的注意事项.....	136
放置可打印光盘.....	137
放置可打印光盘前.....	138
放置可打印光盘.....	139
取出可打印光盘.....	143

放置可打印指甲贴.....	145
放置可打印指甲贴前.....	146
放置可打印指甲贴.....	147
取下可打印指甲贴.....	151
网络.....	153
限制.....	155
网络连接提示.....	157
默认网络设置.....	158
检测到相同打印机名称.....	160
通过 LAN 连接到其他计算机/从 USB 更改为 LAN 连接.....	161
打印网络设置.....	162
重新配置 LAN 连接的方法/重新配置 Wi-Fi 连接的方法.....	168
通过无线直连连接.....	170
IJ Network Device Setup Utility(Windows).....	173
IJ Network Device Setup Utility.....	174
启动 IJ Network Device Setup Utility.....	175
诊断并修复网络设置.....	176
执行/更改网络设置.....	177
Canon IJ Network Device Setup Utility 屏幕.....	178
执行网络设置.....	182
执行/更改有线 LAN 连接(以太网电缆线)设置.....	183
执行/更改 Wi-Fi 设置.....	186
指定打印机信息.....	190
初始化网络设置.....	191
更改管理员密码.....	192
设置打印机的搜索条件/搜索特定打印机.....	193
如果出现 WEP 详细信息屏幕.....	195
如果出现 WPA/WPA2 详细信息屏幕.....	196
检查网络状态.....	197
检查 Wi-Fi 网络状态.....	198
显示计算机网络信息.....	200
显示打印机网络信息.....	201
检查打印机和无线路由器之间的连接状态.....	202
查看网络设置差异.....	203
IJ Network Device Setup Utility 菜单.....	205

打印机设置菜单.....	206
视图菜单.....	207
选项菜单.....	209
帮助菜单.....	210
不支持诊断并修复功能的型号列表.....	211
不支持通过 USB 连接进行 IPv6 配置的型号列表.....	212
其它网络信息.....	214
技术术语.....	215
限制.....	221
防火墙.....	222
可能干扰 Wi-Fi 通讯的设备列表.....	223
找不到通过 USB 连接的打印机.....	224
在网络上共享打印机(Windows).....	225
设置共享打印机.....	226
打印机共享的限制.....	228
用于获得更高打印质量的调整.....	229
对齐打印头.....	230
手动对齐打印头.....	232
维护和耗材.....	235
维护步骤.....	236
墨水盒.....	238
墨水.....	239
更换墨水盒.....	240
在 LCD 屏幕上检查墨水状态.....	245
打印头.....	246
打印喷嘴检查图案.....	247
检查喷嘴检查图案.....	248
清洗打印头.....	250
深度打印头清洗.....	252
从计算机执行维护功能(Windows).....	254
打开维护工具(Canon IJ Printer Assistant Tool).....	255
清洗打印头.....	256
打印喷嘴检查图案.....	258

Canon IJ Printer Assistant Tool 的说明.....	259
清洁打印机.....	264
清洁外部表面.....	265
清洁进纸滚轴.....	266
清洁打印机内部(底板清洁).....	269
其他维护.....	271
运输打印机.....	272
规格.....	273
规格.....	274
打印区域.....	277
打印区域.....	278
标准尺寸.....	279
边距为 25 毫米(0.98 英寸)纸张的打印区域尺寸.....	281
信封.....	283
可打印光盘.....	284
安全相关.....	285
安全注意事项.....	286
法规信息.....	288
WEEE (EU&EEA).....	289
修理、外借或处置打印机时.....	290
打印的法律限制.....	291
本手册中的屏幕截图.....	292
基本打印工作流程.....	293
从计算机打印照片(Windows).....	294
从计算机打印照片(macOS).....	298
增强的打印选项.....	303
从计算机打印.....	306
从应用程序软件打印(Windows 打印机驱动程序).....	307
基本打印设置.....	308
打印机驱动程序和打印机上的纸张设置(介质类型).....	311
打印机驱动程序和打印机上的纸张设置(纸张尺寸).....	313

多种打印方法	315
设置页尺寸和方向	316
设置打印份数和打印顺序	317
执行无边距打印	319
比例打印	322
页面布局打印	324
平铺/海报打印	326
双面打印	329
设置信封打印	331
在明信片上打印	333
设置纸张尺寸(用户定义尺寸)	335
设置装订边距	337
按页面大小打印	339
书册打印	341
印记/背景打印	343
注册印记	346
注册图像数据以作为背景使用	349
根据用途切换纸张来源	351
打印前显示打印效果	353
更改打印质量及修正图像数据	354
设置打印质量级别(用户定义)	355
用单色打印彩色文档	357
指定色彩修正	359
图像数据最佳化照片打印	361
使用打印机驱动程序调整色彩	362
使用 ICC 配置文件进行打印	364
解析 ICC 配置文件	367
调整色调	368
调整色彩平衡	371
调节亮度	373
调节对比度	375
从智能手机/平板电脑打印	377
从 iPhone/iPad/iPod touch 打印(iOS)	378
从智能手机/平板电脑打印(Android)	379
通过无线直连连接	170

使用操作面板打印.....	383
打印模板(如横格纸或方格纸).....	384
从数码相机打印.....	387
直接从兼容 PictBridge(Wi-Fi)的设备打印照片.....	388
PictBridge(Wi-Fi)打印设置.....	390
Windows 软件.....	393
打印机驱动程序.....	394
打印机驱动程序概述.....	395
Canon IJ 打印机驱动程序.....	396
如何打开打印机驱动程序设置窗口.....	397
Canon IJ Status Monitor.....	398
从计算机检查墨水状态.....	400
使用说明(打印机驱动程序).....	401
Canon IJ 预览.....	402
删除不需要的打印作业.....	403
打印机驱动程序的说明.....	404
快速设置选项卡的说明.....	405
主要选项卡的说明.....	410
页设置选项卡的说明.....	415
维护选项卡的说明.....	426
Canon IJ Status Monitor 的说明.....	428
Canon IJ 预览的说明.....	431
更新打印机驱动程序.....	434
安装打印机驱动程序.....	435
获取最新的打印机驱动程序.....	436
删除不需要的打印机驱动程序.....	437
安装打印机驱动程序之前.....	438
使用 Canon 应用程序软件打印.....	439
macOS 软件.....	440
使用 Canon 应用程序软件打印.....	441
常见问题.....	442
网络设置和常见问题.....	444

网络通讯问题.....	447
无法在网络上找到打印机.....	448
设置时无法在检查打印机设置屏幕上找到打印机(Windows).....	449
进行 Wi-Fi 设置时无法在检查打印机设置屏幕上找到打印机(Windows)-检查电源状态.....	450
进行 Wi-Fi 设置时无法在检查打印机设置屏幕上找到打印机(Windows)-检查计算机网络连接	451
进行 Wi-Fi 设置时无法在检查打印机设置屏幕上找到打印机(Windows)-检查打印机的 Wi-Fi 设置	452
进行 Wi-Fi 设置时无法在检查打印机设置屏幕上找到打印机(Windows)-检查 Wi-Fi 环境.....	453
进行 Wi-Fi 设置时无法在检查打印机设置屏幕上找到打印机(Windows)-检查打印机的 IP 地址..	455
进行 Wi-Fi 设置时无法在检查打印机设置屏幕上找到打印机(Windows)-检查安全软件设置..	456
进行 Wi-Fi 设置时无法在检查打印机设置屏幕上找到打印机(Windows)-检查无线路由器设置	457
进行有线 LAN 设置时无法在检查打印机设置屏幕上找到打印机(Windows)-检查 LAN 电缆线和路由器.....	458
进行有线 LAN 设置时无法在检查打印机设置屏幕上找到打印机(Windows)-检查计算机网络连接	459
进行有线 LAN 设置时无法在检查打印机设置屏幕上找到打印机(Windows)-检查打印机的有线 LAN 设置.....	460
进行有线 LAN 设置时无法在检查打印机设置屏幕上找到打印机(Windows)-检查打印机的 IP 地址	461
进行有线 LAN 设置时无法在检查打印机设置屏幕上找到打印机(Windows)-检查安全软件设置..	462
进行有线 LAN 设置时无法在检查打印机设置屏幕上找到打印机(Windows)-检查路由器设置.	463
在打印机连接屏幕以后无法继续操作.....	464
使用 Wi-Fi 时无法找到打印机.....	465
设置的打印机查找屏幕中未找到打印机.....	468
在设置过程中按 IP 地址或主机名称搜索打印机.....	469
使用有线 LAN 时无法找到打印机.....	473
网络连接问题.....	474
打印机因某种原因突然停止工作.....	475
网络密钥(密码)未知.....	480
更换无线路由器或更改路由器设置后无法使用打印机.....	482
忘记打印机的管理员密码.....	484
打印机打印慢.....	485
无法通过 Wi-Fi 从通讯设备访问互联网.....	486
打印机状态监视器上未显示墨水量(Windows).....	487
无法打印或连接.....	488
其他网络问题.....	489

检查网络信息.....	490
恢复至出厂默认值.....	493
设置过程中计算机上出现信息.....	494
使用简易无线连接以连接打印机和无线路由器.....	495
无法将智能手机/平板电脑连接到无线路由器.....	496
下载 Canon PRINT Inkjet/SELPHY.....	497
检查无线路由器 SSID/密钥.....	498
检查用于智能手机/平板电脑的无线路由器网络名称(SSID).....	499
私密隔离功能/SSID 隔离功能/网络隔离功能.....	500
使用智能手机/平板电脑进行设置.....	501
设置 Wi-Fi 时出现错误.....	502
检查状态代码.....	504
从智能手机/平板电脑进行打印时出现的问题.....	505
无法从智能手机/平板电脑进行打印.....	506
打印问题.....	510
打印机不打印.....	511
墨水没有喷出.....	515
打印机不取纸或不进纸/“无纸”错误.....	517
无法在光盘标签上打印.....	519
打印输出的结果不理想.....	521
打印输出空白/模糊不清/颜色不准确或渗出/出现条纹或线条.....	523
线条未对齐/变形.....	526
纸张出现污迹/打印面有划痕.....	527
图像旁边有垂直线条.....	531
无法完成打印.....	532
线条不完整或缺失(Windows).....	533
图像不完整或缺失(Windows).....	534
墨水渍/纸张卷曲.....	535
纸张背面出现污迹.....	536
颜色不均匀或有条纹.....	537
打印中止.....	539
无法使用 AirPrint 打印.....	540
纸张无法从打印机驱动程序中指定的纸张来源送入(Windows).....	541
机械问题.....	542
打印机未开启.....	543
打印机意外关闭或反复关闭.....	544

USB 连接问题.....	545
无法通过 USB 与打印机通讯.....	546
LCD 屏幕中出现错误的语言.....	547
LCD 屏幕关闭.....	548
打印头固定器未移到更换位置.....	549
未显示打印机状态监视器(Windows).....	550
更新打印机固件.....	551
安装和下载问题.....	553
安装打印机驱动程序失败(Windows).....	554
在网络环境中更新打印机驱动程序(Windows).....	555
禁用发送打印机使用信息的功能.....	556
设置过程慢(Windows).....	559
错误和信息.....	560
出现错误时.....	561
出现信息(支持代码).....	562
兼容 PictBridge(Wi-Fi)的设备出现错误信息.....	564
如果无法解决问题.....	566
与错误对应的支持代码列表.....	567
与错误对应的支持代码列表(卡纸).....	569
1300.....	570
打印机内卡纸.....	573
1000.....	576
1013.....	578
1200.....	579
1250.....	580
1401.....	581
1600.....	582
1660.....	583
1688.....	584
1689.....	585
1700.....	586
1890.....	587
2114.....	588

2115.....	591
4103.....	594
5100.....	595
5200.....	596
5B00.....	597
6000.....	598
C000.....	599

使用本在线手册

- [该文档中使用的符号](#)
- [已启用触摸功能的设备用户 \(Windows\)](#)

该文档中使用的符号

警告

如果忽略该说明，可能会由于不正确的设备操作而导致死亡、严重人身伤害或财物损坏。为安全操作必须注意该说明。

注意

如果忽略该说明，可能会由于不正确的设备操作而导致人身伤害或财物损坏。为安全操作必须注意该说明。

重要事项

为避免财物损坏、人身伤害或不正确地使用本产品，必须注意的包含重要信息的说明。请务必阅读这些说明。

注释

该说明包括对于操作的说明和其他解释。

基础

介绍产品基本操作的说明。

注释

- 根据所用产品，图标可能不同。

已启用触摸功能的设备用户 (Windows)

对于触摸操作，需要使用操作系统中设置的操作替换本文档中的“右键单击”。例如，如果操作系统中设置的操作为“按住”，请将“右键单击”替换为“按住”。

商标和许可协议

- Microsoft 是 Microsoft Corporation 的注册商标。
- Windows 是 Microsoft Corporation 在美国和/或其他国家/地区的商标或注册商标。
- Windows Vista 是 Microsoft Corporation 在美国和/或其他国家/地区的商标或注册商标。
- Internet Explorer 是 Microsoft Corporation 在美国和/或其他国家/地区的商标或注册商标。
- Mac、Mac OS、macOS、OS X、AirPort、App Store、AirPrint、AirPrint 徽标、Safari、Bonjour、iPad、iPhone 和 iPod touch 是 Apple Inc.在美国和其他国家/地区注册的商标。
- IOS 是 Cisco 在美国和其他国家/地区的商标或注册商标，在许可下使用。
- Google Cloud Print、Google Chrome、Chrome OS、Chromebook、Android、Google Drive、Google Apps 和 Google Analytics 是 Google Inc.的注册商标或商标。Google Play 和 Google Play 徽标是 Google LLC 的商标。
- Adobe、Acrobat、Flash、Photoshop、Photoshop Elements、Lightroom、Adobe RGB 和 Adobe RGB (1998)是 Adobe Systems Incorporated 在美国和其他国家/地区的注册商标或商标。
- Bluetooth 是 Bluetooth SIG, Inc., U.S.A.的商标并授权给 Canon Inc.
- Autodesk 和 AutoCAD 是 Autodesk, Inc.和/或其子公司和/或其关联公司在美国和/或其他国家/地区的注册商标或商标。
- USB Type-C™ is a trademark of USB Implementers Forum.

►► 注释

- Windows Vista 的正式名称为 Microsoft Windows Vista 操作系统。

Copyright (c) 2003-2015 Apple Inc. All rights reserved.

Redistribution and use in source and binary forms, with or without modification, are permitted provided that the following conditions are met:

1. Redistributions of source code must retain the above copyright notice, this list of conditions and the following disclaimer.
2. Redistributions in binary form must reproduce the above copyright notice, this list of conditions and the following disclaimer in the documentation and/or other materials provided with the distribution.
3. Neither the name of Apple Inc. ("Apple") nor the names of its contributors may be used to endorse or promote products derived from this software without specific prior written permission.

THIS SOFTWARE IS PROVIDED BY APPLE AND ITS CONTRIBUTORS "AS IS" AND ANY EXPRESS OR IMPLIED WARRANTIES, INCLUDING, BUT NOT LIMITED TO, THE IMPLIED WARRANTIES OF MERCHANTABILITY AND FITNESS FOR A PARTICULAR PURPOSE ARE DISCLAIMED. IN NO EVENT SHALL APPLE OR ITS CONTRIBUTORS BE LIABLE FOR ANY DIRECT, INDIRECT, INCIDENTAL, SPECIAL, EXEMPLARY, OR CONSEQUENTIAL DAMAGES (INCLUDING, BUT NOT LIMITED TO, PROCUREMENT OF SUBSTITUTE GOODS OR SERVICES; LOSS OF USE, DATA, OR PROFITS; OR BUSINESS INTERRUPTION) HOWEVER CAUSED AND ON ANY THEORY OF LIABILITY, WHETHER IN CONTRACT, STRICT LIABILITY, OR TORT (INCLUDING NEGLIGENCE OR OTHERWISE) ARISING IN ANY WAY OUT OF THE USE OF THIS SOFTWARE, EVEN IF ADVISED OF THE POSSIBILITY OF SUCH DAMAGE.

Apache License

Version 2.0, January 2004

TERMS AND CONDITIONS FOR USE, REPRODUCTION, AND DISTRIBUTION

1. Definitions.

"License" shall mean the terms and conditions for use, reproduction, and distribution as defined by Sections 1 through 9 of this document.

"Licensor" shall mean the copyright owner or entity authorized by the copyright owner that is granting the License.

"Legal Entity" shall mean the union of the acting entity and all other entities that control, are controlled by, or are under common control with that entity. For the purposes of this definition, "control" means (i) the power, direct or indirect, to cause the direction or management of such entity, whether by contract or otherwise, or (ii) ownership of fifty percent (50%) or more of the outstanding shares, or (iii) beneficial ownership of such entity.

"You" (or "Your") shall mean an individual or Legal Entity exercising permissions granted by this License.

"Source" form shall mean the preferred form for making modifications, including but not limited to software source code, documentation source, and configuration files.

"Object" form shall mean any form resulting from mechanical transformation or translation of a Source form, including but not limited to compiled object code, generated documentation, and conversions to other media types.

"Work" shall mean the work of authorship, whether in Source or Object form, made available under the License, as indicated by a copyright notice that is included in or attached to the work (an example is provided in the Appendix below).

"Derivative Works" shall mean any work, whether in Source or Object form, that is based on (or derived from) the Work and for which the editorial revisions, annotations, elaborations, or other modifications represent, as a whole, an original work of authorship. For the purposes of this License, Derivative Works shall not include works that remain separable from, or merely link (or bind by name) to the interfaces of, the Work and Derivative Works thereof.

"Contribution" shall mean any work of authorship, including the original version of the Work and any modifications or additions to that Work or Derivative Works thereof, that is intentionally submitted to Licensor for inclusion in the Work by the copyright owner or by an individual or Legal Entity authorized to submit on behalf of the copyright owner. For the purposes of this definition, "submitted" means any form of electronic, verbal, or written communication sent to the Licensor or its representatives, including but not limited to communication on electronic mailing lists, source code control systems, and issue tracking systems that are managed by, or on behalf of, the Licensor for the purpose of discussing and improving the Work, but excluding communication that is conspicuously marked or otherwise designated in writing by the copyright owner as "Not a Contribution."

"Contributor" shall mean Licensor and any individual or Legal Entity on behalf of whom a Contribution has been received by Licensor and subsequently incorporated within the Work.

2. Grant of Copyright License. Subject to the terms and conditions of this License, each Contributor hereby grants to You a perpetual, worldwide, non-exclusive, no-charge, royalty-free, irrevocable copyright license to reproduce, prepare Derivative Works of, publicly display, publicly perform, sublicense, and distribute the Work and such Derivative Works in Source or Object form.

3. Grant of Patent License. Subject to the terms and conditions of this License, each Contributor hereby grants to You a perpetual, worldwide, non-exclusive, no-charge, royalty-free, irrevocable (except as stated in this section) patent license to make, have made, use, offer to sell, sell, import, and otherwise transfer the Work, where such license applies only to those patent claims licensable by such Contributor that are necessarily infringed by their Contribution(s) alone or by combination of their Contribution(s) with the Work to which such Contribution(s) was submitted. If You institute patent litigation against any entity (including a cross-claim or counterclaim in a lawsuit) alleging that the Work or a Contribution incorporated within the Work constitutes direct or contributory patent infringement, then any patent licenses granted to You under this License for that Work shall terminate as of the date such litigation is filed.
4. Redistribution. You may reproduce and distribute copies of the Work or Derivative Works thereof in any medium, with or without modifications, and in Source or Object form, provided that You meet the following conditions:
 1. You must give any other recipients of the Work or Derivative Works a copy of this License; and
 2. You must cause any modified files to carry prominent notices stating that You changed the files; and
 3. You must retain, in the Source form of any Derivative Works that You distribute, all copyright, patent, trademark, and attribution notices from the Source form of the Work, excluding those notices that do not pertain to any part of the Derivative Works; and
 4. If the Work includes a "NOTICE" text file as part of its distribution, then any Derivative Works that You distribute must include a readable copy of the attribution notices contained within such NOTICE file, excluding those notices that do not pertain to any part of the Derivative Works, in at least one of the following places: within a NOTICE text file distributed as part of the Derivative Works; within the Source form or documentation, if provided along with the Derivative Works; or, within a display generated by the Derivative Works, if and wherever such third-party notices normally appear. The contents of the NOTICE file are for informational purposes only and do not modify the License. You may add Your own attribution notices within Derivative Works that You distribute, alongside or as an addendum to the NOTICE text from the Work, provided that such additional attribution notices cannot be construed as modifying the License.

You may add Your own copyright statement to Your modifications and may provide additional or different license terms and conditions for use, reproduction, or distribution of Your modifications, or for any such Derivative Works as a whole, provided Your use, reproduction, and distribution of the Work otherwise complies with the conditions stated in this License.

5. Submission of Contributions. Unless You explicitly state otherwise, any Contribution intentionally submitted for inclusion in the Work by You to the Licensor shall be under the terms and conditions of this License, without any additional terms or conditions. Notwithstanding the above, nothing herein shall supersede or modify the terms of any separate license agreement you may have executed with Licensor regarding such Contributions.
6. Trademarks. This License does not grant permission to use the trade names, trademarks, service marks, or product names of the Licensor, except as required for reasonable and customary use in describing the origin of the Work and reproducing the content of the NOTICE file.
7. Disclaimer of Warranty. Unless required by applicable law or agreed to in writing, Licensor provides the Work (and each Contributor provides its Contributions) on an "AS IS" BASIS, WITHOUT WARRANTIES OR CONDITIONS OF ANY KIND, either express or implied, including, without limitation, any warranties or conditions of TITLE, NON-INFRINGEMENT, MERCHANTABILITY, or FITNESS FOR A PARTICULAR PURPOSE. You are solely responsible for determining the

appropriateness of using or redistributing the Work and assume any risks associated with Your exercise of permissions under this License.

8. Limitation of Liability. In no event and under no legal theory, whether in tort (including negligence), contract, or otherwise, unless required by applicable law (such as deliberate and grossly negligent acts) or agreed to in writing, shall any Contributor be liable to You for damages, including any direct, indirect, special, incidental, or consequential damages of any character arising as a result of this License or out of the use or inability to use the Work (including but not limited to damages for loss of goodwill, work stoppage, computer failure or malfunction, or any and all other commercial damages or losses), even if such Contributor has been advised of the possibility of such damages.
9. Accepting Warranty or Additional Liability. While redistributing the Work or Derivative Works thereof, You may choose to offer, and charge a fee for, acceptance of support, warranty, indemnity, or other liability obligations and/or rights consistent with this License. However, in accepting such obligations, You may act only on Your own behalf and on Your sole responsibility, not on behalf of any other Contributor, and only if You agree to indemnify, defend, and hold each Contributor harmless for any liability incurred by, or claims asserted against, such Contributor by reason of your accepting any such warranty or additional liability.

END OF TERMS AND CONDITIONS

---- Part 1: CMU/UCD copyright notice: (BSD like) ----

Copyright 1989, 1991, 1992 by Carnegie Mellon University

Derivative Work - 1996, 1998-2000

Copyright 1996, 1998-2000 The Regents of the University of California

All Rights Reserved

Permission to use, copy, modify and distribute this software and its documentation for any purpose and without fee is hereby granted, provided that the above copyright notice appears in all copies and that both that copyright notice and this permission notice appear in supporting documentation, and that the name of CMU and The Regents of the University of California not be used in advertising or publicity pertaining to distribution of the software without specific written permission.

CMU AND THE REGENTS OF THE UNIVERSITY OF CALIFORNIA DISCLAIM ALL WARRANTIES WITH REGARD TO THIS SOFTWARE, INCLUDING ALL IMPLIED WARRANTIES OF MERCHANTABILITY AND FITNESS. IN NO EVENT SHALL CMU OR THE REGENTS OF THE UNIVERSITY OF CALIFORNIA BE LIABLE FOR ANY SPECIAL, INDIRECT OR CONSEQUENTIAL DAMAGES OR ANY DAMAGES WHATSOEVER RESULTING FROM THE LOSS OF USE, DATA OR PROFITS, WHETHER IN AN ACTION OF CONTRACT, NEGLIGENCE OR OTHER TORTIOUS ACTION, ARISING OUT OF OR IN CONNECTION WITH THE USE OR PERFORMANCE OF THIS SOFTWARE.

---- Part 2: Networks Associates Technology, Inc copyright notice (BSD) ----

Copyright (c) 2001-2003, Networks Associates Technology, Inc

All rights reserved.

Redistribution and use in source and binary forms, with or without modification, are permitted provided that the following conditions are met:

* Redistributions of source code must retain the above copyright notice, this list of conditions and the following disclaimer.

* Redistributions in binary form must reproduce the above copyright notice, this list of conditions and the following disclaimer in the documentation and/or other materials provided with the distribution.

* Neither the name of the Networks Associates Technology, Inc nor the names of its contributors may be used to endorse or promote products derived from this software without specific prior written permission.

THIS SOFTWARE IS PROVIDED BY THE COPYRIGHT HOLDERS AND CONTRIBUTORS ``AS IS" AND ANY EXPRESS OR IMPLIED WARRANTIES, INCLUDING, BUT NOT LIMITED TO, THE IMPLIED WARRANTIES OF MERCHANTABILITY AND FITNESS FOR A PARTICULAR PURPOSE ARE DISCLAIMED. IN NO EVENT SHALL THE COPYRIGHT HOLDERS OR CONTRIBUTORS BE LIABLE FOR ANY DIRECT, INDIRECT, INCIDENTAL, SPECIAL, EXEMPLARY, OR CONSEQUENTIAL DAMAGES (INCLUDING, BUT NOT LIMITED TO, PROCUREMENT OF SUBSTITUTE GOODS OR SERVICES; LOSS OF USE, DATA, OR PROFITS; OR BUSINESS INTERRUPTION) HOWEVER CAUSED AND ON ANY THEORY OF LIABILITY, WHETHER IN CONTRACT, STRICT LIABILITY, OR TORT (INCLUDING NEGLIGENCE OR OTHERWISE) ARISING IN ANY WAY OUT OF THE USE OF THIS SOFTWARE, EVEN IF ADVISED OF THE POSSIBILITY OF SUCH DAMAGE.

---- Part 3: Cambridge Broadband Ltd. copyright notice (BSD) ----

Portions of this code are copyright (c) 2001-2003, Cambridge Broadband Ltd.

All rights reserved.

Redistribution and use in source and binary forms, with or without modification, are permitted provided that the following conditions are met:

* Redistributions of source code must retain the above copyright notice, this list of conditions and the following disclaimer.

* Redistributions in binary form must reproduce the above copyright notice, this list of conditions and the following disclaimer in the documentation and/or other materials provided with the distribution.

* The name of Cambridge Broadband Ltd. may not be used to endorse or promote products derived from this software without specific prior written permission.

THIS SOFTWARE IS PROVIDED BY THE COPYRIGHT HOLDER ``AS IS" AND ANY EXPRESS OR IMPLIED WARRANTIES, INCLUDING, BUT NOT LIMITED TO, THE IMPLIED WARRANTIES OF MERCHANTABILITY AND FITNESS FOR A PARTICULAR PURPOSE ARE DISCLAIMED. IN NO EVENT SHALL THE COPYRIGHT HOLDER BE LIABLE FOR ANY DIRECT, INDIRECT, INCIDENTAL, SPECIAL, EXEMPLARY, OR CONSEQUENTIAL DAMAGES (INCLUDING, BUT NOT LIMITED TO, PROCUREMENT OF SUBSTITUTE GOODS OR SERVICES; LOSS OF USE, DATA, OR PROFITS; OR BUSINESS INTERRUPTION) HOWEVER CAUSED AND ON ANY THEORY OF LIABILITY, WHETHER IN CONTRACT, STRICT LIABILITY, OR TORT (INCLUDING NEGLIGENCE OR OTHERWISE) ARISING IN ANY WAY OUT OF THE USE OF THIS SOFTWARE, EVEN IF ADVISED OF THE POSSIBILITY OF SUCH DAMAGE.

---- Part 4: Sun Microsystems, Inc. copyright notice (BSD) ----

Copyright c 2003 Sun Microsystems, Inc., 4150 Network Circle, Santa Clara, California 95054, U.S.A. All rights reserved.

Use is subject to license terms below.

This distribution may include materials developed by third parties.

Sun, Sun Microsystems, the Sun logo and Solaris are trademarks or registered trademarks of Sun Microsystems, Inc. in the U.S. and other countries.

Redistribution and use in source and binary forms, with or without modification, are permitted provided that the following conditions are met:

- * Redistributions of source code must retain the above copyright notice, this list of conditions and the following disclaimer.
- * Redistributions in binary form must reproduce the above copyright notice, this list of conditions and the following disclaimer in the documentation and/or other materials provided with the distribution.
- * Neither the name of the Sun Microsystems, Inc. nor the names of its contributors may be used to endorse or promote products derived from this software without specific prior written permission.

THIS SOFTWARE IS PROVIDED BY THE COPYRIGHT HOLDERS AND CONTRIBUTORS ``AS IS" AND ANY EXPRESS OR IMPLIED WARRANTIES, INCLUDING, BUT NOT LIMITED TO, THE IMPLIED WARRANTIES OF MERCHANTABILITY AND FITNESS FOR A PARTICULAR PURPOSE ARE DISCLAIMED. IN NO EVENT SHALL THE COPYRIGHT HOLDERS OR CONTRIBUTORS BE LIABLE FOR ANY DIRECT, INDIRECT, INCIDENTAL, SPECIAL, EXEMPLARY, OR CONSEQUENTIAL DAMAGES (INCLUDING, BUT NOT LIMITED TO, PROCUREMENT OF SUBSTITUTE GOODS OR SERVICES; LOSS OF USE, DATA, OR PROFITS; OR BUSINESS INTERRUPTION) HOWEVER CAUSED AND ON ANY THEORY OF LIABILITY, WHETHER IN CONTRACT, STRICT LIABILITY, OR TORT (INCLUDING NEGLIGENCE OR OTHERWISE) ARISING IN ANY WAY OUT OF THE USE OF THIS SOFTWARE, EVEN IF ADVISED OF THE POSSIBILITY OF SUCH DAMAGE.

---- Part 5: Sparta, Inc copyright notice (BSD) ----

Copyright (c) 2003-2012, Sparta, Inc

All rights reserved.

Redistribution and use in source and binary forms, with or without modification, are permitted provided that the following conditions are met:

- * Redistributions of source code must retain the above copyright notice, this list of conditions and the following disclaimer.
- * Redistributions in binary form must reproduce the above copyright notice, this list of conditions and the following disclaimer in the documentation and/or other materials provided with the distribution.
- * Neither the name of Sparta, Inc nor the names of its contributors may be used to endorse or promote products derived from this software without specific prior written permission.

THIS SOFTWARE IS PROVIDED BY THE COPYRIGHT HOLDERS AND CONTRIBUTORS ``AS IS" AND ANY EXPRESS OR IMPLIED WARRANTIES, INCLUDING, BUT NOT LIMITED TO, THE IMPLIED WARRANTIES OF MERCHANTABILITY AND FITNESS FOR A PARTICULAR PURPOSE ARE DISCLAIMED. IN NO EVENT SHALL THE COPYRIGHT HOLDERS OR CONTRIBUTORS BE LIABLE FOR ANY DIRECT, INDIRECT, INCIDENTAL, SPECIAL, EXEMPLARY, OR CONSEQUENTIAL DAMAGES (INCLUDING, BUT NOT LIMITED TO, PROCUREMENT OF SUBSTITUTE GOODS OR SERVICES; LOSS OF USE, DATA, OR PROFITS; OR BUSINESS INTERRUPTION) HOWEVER CAUSED AND ON ANY THEORY OF LIABILITY, WHETHER IN CONTRACT, STRICT LIABILITY, OR TORT (INCLUDING NEGLIGENCE OR OTHERWISE) ARISING IN ANY WAY OUT OF THE USE OF THIS SOFTWARE, EVEN IF ADVISED OF THE POSSIBILITY OF SUCH DAMAGE.

---- Part 6: Cisco/BUPTNIC copyright notice (BSD) ----

Copyright (c) 2004, Cisco, Inc and Information Network Center of Beijing University of Posts and Telecommunications.

All rights reserved.

Redistribution and use in source and binary forms, with or without modification, are permitted provided that the following conditions are met:

- * Redistributions of source code must retain the above copyright notice, this list of conditions and the following disclaimer.
- * Redistributions in binary form must reproduce the above copyright notice, this list of conditions and the following disclaimer in the documentation and/or other materials provided with the distribution.
- * Neither the name of Cisco, Inc, Beijing University of Posts and Telecommunications, nor the names of their contributors may be used to endorse or promote products derived from this software without specific prior written permission.

THIS SOFTWARE IS PROVIDED BY THE COPYRIGHT HOLDERS AND CONTRIBUTORS ``AS IS" AND ANY EXPRESS OR IMPLIED WARRANTIES, INCLUDING, BUT NOT LIMITED TO, THE IMPLIED WARRANTIES OF MERCHANTABILITY AND FITNESS FOR A PARTICULAR PURPOSE ARE DISCLAIMED. IN NO EVENT SHALL THE COPYRIGHT HOLDERS OR CONTRIBUTORS BE LIABLE FOR ANY DIRECT, INDIRECT, INCIDENTAL, SPECIAL, EXEMPLARY, OR CONSEQUENTIAL DAMAGES (INCLUDING, BUT NOT LIMITED TO, PROCUREMENT OF SUBSTITUTE GOODS OR SERVICES; LOSS OF USE, DATA, OR PROFITS; OR BUSINESS INTERRUPTION) HOWEVER CAUSED AND ON ANY THEORY OF LIABILITY, WHETHER IN CONTRACT, STRICT LIABILITY, OR TORT (INCLUDING NEGLIGENCE OR OTHERWISE) ARISING IN ANY WAY OUT OF THE USE OF THIS SOFTWARE, EVEN IF ADVISED OF THE POSSIBILITY OF SUCH DAMAGE.

---- Part 7: Fabasoft R&D Software GmbH & Co KG copyright notice (BSD) -----

Copyright (c) Fabasoft R&D Software GmbH & Co KG, 2003 oss@fabasoft.com

Author: Bernhard Penz <bernhard.penz@fabasoft.com>

Redistribution and use in source and binary forms, with or without modification, are permitted provided that the following conditions are met:

- * Redistributions of source code must retain the above copyright notice, this list of conditions and the following disclaimer.
- * Redistributions in binary form must reproduce the above copyright notice, this list of conditions and the following disclaimer in the documentation and/or other materials provided with the distribution.
- * The name of Fabasoft R&D Software GmbH & Co KG or any of its subsidiaries, brand or product names may not be used to endorse or promote products derived from this software without specific prior written permission.

THIS SOFTWARE IS PROVIDED BY THE COPYRIGHT HOLDER ``AS IS" AND ANY EXPRESS OR IMPLIED WARRANTIES, INCLUDING, BUT NOT LIMITED TO, THE IMPLIED WARRANTIES OF MERCHANTABILITY AND FITNESS FOR A PARTICULAR PURPOSE ARE DISCLAIMED. IN NO EVENT SHALL THE COPYRIGHT HOLDER BE LIABLE FOR ANY DIRECT, INDIRECT, INCIDENTAL, SPECIAL, EXEMPLARY, OR CONSEQUENTIAL DAMAGES (INCLUDING, BUT NOT LIMITED TO, PROCUREMENT OF SUBSTITUTE GOODS OR SERVICES; LOSS OF USE, DATA, OR PROFITS; OR BUSINESS INTERRUPTION) HOWEVER CAUSED AND ON ANY THEORY OF LIABILITY, WHETHER IN CONTRACT, STRICT LIABILITY, OR TORT (INCLUDING NEGLIGENCE OR OTHERWISE) ARISING

IN ANY WAY OUT OF THE USE OF THIS SOFTWARE, EVEN IF ADVISED OF THE POSSIBILITY OF SUCH DAMAGE.

---- Part 8: Apple Inc. copyright notice (BSD) ----

Copyright (c) 2007 Apple Inc. All rights reserved.

Redistribution and use in source and binary forms, with or without modification, are permitted provided that the following conditions are met:

1. Redistributions of source code must retain the above copyright notice, this list of conditions and the following disclaimer.
2. Redistributions in binary form must reproduce the above copyright notice, this list of conditions and the following disclaimer in the documentation and/or other materials provided with the distribution.
3. Neither the name of Apple Inc. ("Apple") nor the names of its contributors may be used to endorse or promote products derived from this software without specific prior written permission.

THIS SOFTWARE IS PROVIDED BY APPLE AND ITS CONTRIBUTORS "AS IS" AND ANY EXPRESS OR IMPLIED WARRANTIES, INCLUDING, BUT NOT LIMITED TO, THE IMPLIED WARRANTIES OF MERCHANTABILITY AND FITNESS FOR A PARTICULAR PURPOSE ARE DISCLAIMED. IN NO EVENT SHALL APPLE OR ITS CONTRIBUTORS BE LIABLE FOR ANY DIRECT, INDIRECT, INCIDENTAL, SPECIAL, EXEMPLARY, OR CONSEQUENTIAL DAMAGES (INCLUDING, BUT NOT LIMITED TO, PROCUREMENT OF SUBSTITUTE GOODS OR SERVICES; LOSS OF USE, DATA, OR PROFITS; OR BUSINESS INTERRUPTION) HOWEVER CAUSED AND ON ANY THEORY OF LIABILITY, WHETHER IN CONTRACT, STRICT LIABILITY, OR TORT (INCLUDING NEGLIGENCE OR OTHERWISE) ARISING IN ANY WAY OUT OF THE USE OF THIS SOFTWARE, EVEN IF ADVISED OF THE POSSIBILITY OF SUCH DAMAGE.

---- Part 9: ScienceLogic, LLC copyright notice (BSD) ----

Copyright (c) 2009, ScienceLogic, LLC

All rights reserved.

Redistribution and use in source and binary forms, with or without modification, are permitted provided that the following conditions are met:

- * Redistributions of source code must retain the above copyright notice, this list of conditions and the following disclaimer.
- * Redistributions in binary form must reproduce the above copyright notice, this list of conditions and the following disclaimer in the documentation and/or other materials provided with the distribution.
- * Neither the name of ScienceLogic, LLC nor the names of its contributors may be used to endorse or promote products derived from this software without specific prior written permission.

THIS SOFTWARE IS PROVIDED BY THE COPYRIGHT HOLDERS AND CONTRIBUTORS "AS IS" AND ANY EXPRESS OR IMPLIED WARRANTIES, INCLUDING, BUT NOT LIMITED TO, THE IMPLIED WARRANTIES OF MERCHANTABILITY AND FITNESS FOR A PARTICULAR PURPOSE ARE DISCLAIMED. IN NO EVENT SHALL THE COPYRIGHT HOLDERS OR CONTRIBUTORS BE LIABLE FOR ANY DIRECT, INDIRECT, INCIDENTAL, SPECIAL, EXEMPLARY, OR CONSEQUENTIAL DAMAGES (INCLUDING, BUT NOT LIMITED TO, PROCUREMENT OF SUBSTITUTE GOODS OR SERVICES; LOSS OF USE, DATA, OR PROFITS; OR BUSINESS INTERRUPTION) HOWEVER CAUSED AND ON ANY THEORY OF LIABILITY, WHETHER IN CONTRACT, STRICT LIABILITY, OR

TORT (INCLUDING NEGLIGENCE OR OTHERWISE) ARISING IN ANY WAY OUT OF THE USE OF THIS SOFTWARE, EVEN IF ADVISED OF THE POSSIBILITY OF SUCH DAMAGE.

LEADTOOLS

Copyright (C) 1991-2009 LEAD Technologies, Inc.

CMap Resources

Copyright 1990-2009 Adobe Systems Incorporated.
All rights reserved.

Copyright 1990-2010 Adobe Systems Incorporated.
All rights reserved.

Redistribution and use in source and binary forms, with or without modification, are permitted provided that the following conditions are met:

Redistributions of source code must retain the above copyright notice, this list of conditions and the following disclaimer.

Redistributions in binary form must reproduce the above copyright notice, this list of conditions and the following disclaimer in the documentation and/or other materials provided with the distribution.

Neither the name of Adobe Systems Incorporated nor the names of its contributors may be used to endorse or promote products derived from this software without specific prior written permission.

THIS SOFTWARE IS PROVIDED BY THE COPYRIGHT HOLDERS AND CONTRIBUTORS "AS IS" AND ANY EXPRESS OR IMPLIED WARRANTIES, INCLUDING, BUT NOT LIMITED TO, THE IMPLIED WARRANTIES OF MERCHANTABILITY AND FITNESS FOR A PARTICULAR PURPOSE ARE DISCLAIMED. IN NO EVENT SHALL THE COPYRIGHT HOLDER OR CONTRIBUTORS BE LIABLE FOR ANY DIRECT, INDIRECT, INCIDENTAL, SPECIAL, EXEMPLARY, OR CONSEQUENTIAL DAMAGES (INCLUDING, BUT NOT LIMITED TO, PROCUREMENT OF SUBSTITUTE GOODS OR SERVICES; LOSS OF USE, DATA, OR PROFITS; OR BUSINESS INTERRUPTION) HOWEVER CAUSED AND ON ANY THEORY OF LIABILITY, WHETHER IN CONTRACT, STRICT LIABILITY, OR TORT (INCLUDING NEGLIGENCE OR OTHERWISE) ARISING IN ANY WAY OUT OF THE USE OF THIS SOFTWARE, EVEN IF ADVISED OF THE POSSIBILITY OF SUCH DAMAGE.

MIT License

Copyright (c) 1998, 1999, 2000 Thai Open Source Software Center Ltd

Permission is hereby granted, free of charge, to any person obtaining a copy of this software and associated documentation files (the "Software"), to deal in the Software without restriction, including without limitation the rights to use, copy, modify, merge, publish, distribute, sublicense, and/or sell copies of the Software, and to permit persons to whom the Software is furnished to do so, subject to the following conditions:

The above copyright notice and this permission notice shall be included in all copies or substantial portions of the Software.

THE SOFTWARE IS PROVIDED "AS IS", WITHOUT WARRANTY OF ANY KIND, EXPRESS OR IMPLIED, INCLUDING BUT NOT LIMITED TO THE WARRANTIES OF MERCHANTABILITY, FITNESS FOR A PARTICULAR PURPOSE AND NONINFRINGEMENT. IN NO EVENT SHALL THE AUTHORS OR COPYRIGHT HOLDERS BE LIABLE FOR ANY CLAIM, DAMAGES OR OTHER LIABILITY, WHETHER IN AN ACTION OF CONTRACT, TORT OR OTHERWISE, ARISING FROM, OUT OF OR IN CONNECTION WITH THE SOFTWARE OR THE USE OR OTHER DEALINGS IN THE SOFTWARE.

Copyright 2000 Computing Research Labs, New Mexico State University

Copyright 2001-2015 Francesco Zappa Nardelli

Permission is hereby granted, free of charge, to any person obtaining a copy of this software and associated documentation files (the "Software"), to deal in the Software without restriction, including without limitation the rights to use, copy, modify, merge, publish, distribute, sublicense, and/or sell copies of the Software, and to permit persons to whom the Software is furnished to do so, subject to the following conditions:

The above copyright notice and this permission notice shall be included in all copies or substantial portions of the Software.

THE SOFTWARE IS PROVIDED "AS IS", WITHOUT WARRANTY OF ANY KIND, EXPRESS OR IMPLIED, INCLUDING BUT NOT LIMITED TO THE WARRANTIES OF MERCHANTABILITY, FITNESS FOR A PARTICULAR PURPOSE AND NONINFRINGEMENT. IN NO EVENT SHALL THE COMPUTING RESEARCH LAB OR NEW MEXICO STATE UNIVERSITY BE LIABLE FOR ANY CLAIM, DAMAGES OR OTHER LIABILITY, WHETHER IN AN ACTION OF CONTRACT, TORT OR OTHERWISE, ARISING FROM, OUT OF OR IN CONNECTION WITH THE SOFTWARE OR THE USE OR OTHER DEALINGS IN THE SOFTWARE.

Written by Joel Sherrill <joel@OARcorp.com>.

COPYRIGHT (c) 1989-2000.

On-Line Applications Research Corporation (OAR).

Permission to use, copy, modify, and distribute this software for any purpose without fee is hereby granted, provided that this entire notice is included in all copies of any software which is or includes a copy or modification of this software.

THIS SOFTWARE IS BEING PROVIDED "AS IS", WITHOUT ANY EXPRESS OR IMPLIED WARRANTY. IN PARTICULAR, THE AUTHOR MAKES NO REPRESENTATION OR WARRANTY OF ANY KIND CONCERNING THE MERCHANTABILITY OF THIS SOFTWARE OR ITS FITNESS FOR ANY PARTICULAR PURPOSE.

(1) Red Hat Incorporated

Copyright (c) 1994-2009 Red Hat, Inc. All rights reserved.

This copyrighted material is made available to anyone wishing to use, modify, copy, or redistribute it subject to the terms and conditions of the BSD License. This program is distributed in the hope that it will be useful, but WITHOUT ANY WARRANTY expressed or implied, including the implied warranties of MERCHANTABILITY or FITNESS FOR A PARTICULAR PURPOSE. A copy of this license is available at <http://www.opensource.org/licenses>. Any Red Hat trademarks that are incorporated in the source code or documentation are not subject to the BSD License and may only be used or replicated with the express permission of Red Hat, Inc.

(2) University of California, Berkeley

Copyright (c) 1981-2000 The Regents of the University of California.

All rights reserved.

Redistribution and use in source and binary forms, with or without modification, are permitted provided that the following conditions are met:

- * Redistributions of source code must retain the above copyright notice, this list of conditions and the following disclaimer.
- * Redistributions in binary form must reproduce the above copyright notice, this list of conditions and the following disclaimer in the documentation and/or other materials provided with the distribution.
- * Neither the name of the University nor the names of its contributors may be used to endorse or promote products derived from this software without specific prior written permission.

THIS SOFTWARE IS PROVIDED BY THE COPYRIGHT HOLDERS AND CONTRIBUTORS "AS IS" AND ANY EXPRESS OR IMPLIED WARRANTIES, INCLUDING, BUT NOT LIMITED TO, THE IMPLIED WARRANTIES OF MERCHANTABILITY AND FITNESS FOR A PARTICULAR PURPOSE ARE DISCLAIMED. IN NO EVENT SHALL THE COPYRIGHT OWNER OR CONTRIBUTORS BE LIABLE FOR ANY DIRECT, INDIRECT, INCIDENTAL, SPECIAL, EXEMPLARY, OR CONSEQUENTIAL DAMAGES (INCLUDING, BUT NOT LIMITED TO, PROCUREMENT OF SUBSTITUTE GOODS OR SERVICES; LOSS OF USE, DATA, OR PROFITS; OR BUSINESS INTERRUPTION) HOWEVER CAUSED AND ON ANY THEORY OF LIABILITY, WHETHER IN CONTRACT, STRICT LIABILITY, OR TORT (INCLUDING NEGLIGENCE OR OTHERWISE) ARISING IN ANY WAY OUT OF THE USE OF THIS SOFTWARE, EVEN IF ADVISED OF THE POSSIBILITY OF SUCH DAMAGE.

The FreeType Project LICENSE

2006-Jan-27

Copyright 1996-2002, 2006 by

David Turner, Robert Wilhelm, and Werner Lemberg

Introduction

=====

The FreeType Project is distributed in several archive packages; some of them may contain, in addition to the FreeType font engine, various tools and contributions which rely on, or relate to, the FreeType Project.

This license applies to all files found in such packages, and which do not fall under their own explicit license. The license affects thus the FreeType font engine, the test programs, documentation and makefiles, at the very least.

This license was inspired by the BSD, Artistic, and IJG (Independent JPEG Group) licenses, which all encourage inclusion and use of free software in commercial and freeware products alike. As a consequence, its main points are that:

- o We don't promise that this software works. However, we will be interested in any kind of bug reports. ('as is' distribution)
- o You can use this software for whatever you want, in parts or full form, without having to pay us. ('royalty-free' usage)
- o You may not pretend that you wrote this software. If you use it, or only parts of it, in a program, you must acknowledge somewhere in your documentation that you have used the FreeType code. ('credits')

We specifically permit and encourage the inclusion of this software, with or without modifications, in commercial products.

We disclaim all warranties covering The FreeType Project and assume no liability related to The FreeType Project.

Finally, many people asked us for a preferred form for a credit/disclaimer to use in compliance with this license. We thus encourage you to use the following text:

""

Portions of this software are copyright © <year> The FreeType Project (www.freetype.org). All rights reserved.

""

Please replace <year> with the value from the FreeType version you actually use.

Legal Terms

=====

0. Definitions

Throughout this license, the terms 'package', 'FreeType Project', and 'FreeType archive' refer to the set of files originally distributed by the authors (David Turner, Robert Wilhelm, and Werner Lemberg) as the 'FreeType Project', be they named as alpha, beta or final release.

'You' refers to the licensee, or person using the project, where 'using' is a generic term including compiling the project's source code as well as linking it to form a 'program' or 'executable'.

This program is referred to as 'a program using the FreeType engine'.

This license applies to all files distributed in the original FreeType Project, including all source code, binaries and documentation, unless otherwise stated in the file in its original, unmodified form as distributed in the original archive.

If you are unsure whether or not a particular file is covered by this license, you must contact us to verify this.

The FreeType Project is copyright (C) 1996-2000 by David Turner, Robert Wilhelm, and Werner Lemberg. All rights reserved except as specified below.

1. No Warranty

THE FREETYPE PROJECT IS PROVIDED 'AS IS' WITHOUT WARRANTY OF ANY KIND, EITHER EXPRESS OR IMPLIED, INCLUDING, BUT NOT LIMITED TO, WARRANTIES OF MERCHANTABILITY AND FITNESS FOR A PARTICULAR PURPOSE. IN NO EVENT WILL ANY OF THE AUTHORS OR COPYRIGHT HOLDERS BE LIABLE FOR ANY DAMAGES CAUSED BY THE USE OR THE INABILITY TO USE, OF THE FREETYPE PROJECT.

2. Redistribution

This license grants a worldwide, royalty-free, perpetual and irrevocable right and license to use, execute, perform, compile, display, copy, create derivative works of, distribute and sublicense the FreeType Project (in both source and object code forms) and derivative works thereof for any purpose; and to authorize others to exercise some or all of the rights granted herein, subject to the following conditions:

- o Redistribution of source code must retain this license file ('FTL.TXT') unaltered; any additions, deletions or changes to the original files must be clearly indicated in accompanying documentation. The copyright notices of the unaltered, original files must be preserved in all copies of source files.

- o Redistribution in binary form must provide a disclaimer that states that the software is based in part of the work of the FreeType Team, in the distribution documentation. We also encourage you to put an URL to the FreeType web page in your documentation, though this isn't mandatory.

These conditions apply to any software derived from or based on the FreeType Project, not just the unmodified files. If you use our work, you must acknowledge us. However, no fee need be paid to us.

3. Advertising

Neither the FreeType authors and contributors nor you shall use the name of the other for commercial, advertising, or promotional purposes without specific prior written permission.

We suggest, but do not require, that you use one or more of the following phrases to refer to this software in your documentation or advertising materials: 'FreeType Project', 'FreeType Engine', 'FreeType library', or 'FreeType Distribution'.

As you have not signed this license, you are not required to accept it. However, as the FreeType Project is copyrighted material, only this license, or another one contracted with the authors, grants you the right to use, distribute, and modify it.

Therefore, by using, distributing, or modifying the FreeType Project, you indicate that you understand and accept all the terms of this license.

4. Contacts

There are two mailing lists related to FreeType:

- o freetype@nongnu.org

Discusses general use and applications of FreeType, as well as future and wanted additions to the library and distribution.

If you are looking for support, start in this list if you haven't found anything to help you in the documentation.

- o freetype-devel@nongnu.org

Discusses bugs, as well as engine internals, design issues, specific licenses, porting, etc.

Our home page can be found at

<http://www.freetype.org>

--- end of FTL.TXT ---

The TWAIN Toolkit is distributed as is. The developer and distributors of the TWAIN Toolkit expressly disclaim all implied, express or statutory warranties including, without limitation, the implied warranties of merchantability, noninfringement of third party rights and fitness for a particular purpose. Neither the developers nor the distributors will be liable for damages, whether direct, indirect, special, incidental, or consequential, as a result of the reproduction, modification, distribution or other use of the TWAIN Toolkit.

JSON for Modern C++

Copyright (c) 2013-2017 Niels Lohmann

Permission is hereby granted, free of charge, to any person obtaining a copy of this software and associated documentation files (the "Software"), to deal in the Software without restriction, including without limitation the rights to use, copy, modify, merge, publish, distribute, sublicense, and/or sell copies of the Software, and to permit persons to whom the Software is furnished to do so, subject to the following conditions:

The above copyright notice and this permission notice shall be included in all copies or substantial portions of the Software.

THE SOFTWARE IS PROVIDED "AS IS", WITHOUT WARRANTY OF ANY KIND, EXPRESS OR IMPLIED, INCLUDING BUT NOT LIMITED TO THE WARRANTIES OF MERCHANTABILITY, FITNESS FOR A PARTICULAR PURPOSE AND NONINFRINGEMENT. IN NO EVENT SHALL THE AUTHORS OR COPYRIGHT HOLDERS BE LIABLE FOR ANY CLAIM, DAMAGES OR OTHER LIABILITY, WHETHER IN AN ACTION OF CONTRACT, TORT OR OTHERWISE, ARISING FROM, OUT OF OR IN CONNECTION WITH THE SOFTWARE OR THE USE OR OTHER DEALINGS IN THE SOFTWARE.

Copyright (c) 2011 - 2015 ARM LIMITED

All rights reserved.

Redistribution and use in source and binary forms, with or without modification, are permitted provided that the following conditions are met:

- Redistributions of source code must retain the above copyright notice, this list of conditions and the following disclaimer.
- Redistributions in binary form must reproduce the above copyright notice, this list of conditions and the following disclaimer in the documentation and/or other materials provided with the distribution.
- Neither the name of ARM nor the names of its contributors may be used to endorse or promote products derived from this software without specific prior written permission.

THIS SOFTWARE IS PROVIDED BY THE COPYRIGHT HOLDERS AND CONTRIBUTORS "AS IS" AND ANY EXPRESS OR IMPLIED WARRANTIES, INCLUDING, BUT NOT LIMITED TO, THE IMPLIED WARRANTIES OF MERCHANTABILITY AND FITNESS FOR A PARTICULAR PURPOSE ARE DISCLAIMED. IN NO EVENT SHALL COPYRIGHT HOLDERS AND CONTRIBUTORS BE LIABLE FOR ANY DIRECT, INDIRECT, INCIDENTAL, SPECIAL, EXEMPLARY, OR CONSEQUENTIAL DAMAGES

(INCLUDING, BUT NOT LIMITED TO, PROCUREMENT OF SUBSTITUTE GOODS OR SERVICES; LOSS OF USE, DATA, OR PROFITS; OR BUSINESS INTERRUPTION) HOWEVER CAUSED AND ON ANY THEORY OF LIABILITY, WHETHER IN CONTRACT, STRICT LIABILITY, OR TORT (INCLUDING NEGLIGENCE OR OTHERWISE) ARISING IN ANY WAY OUT OF THE USE OF THIS SOFTWARE, EVEN IF ADVISED OF THE POSSIBILITY OF SUCH DAMAGE.

以下仅适用于支持 Wi-Fi 的产品。

(c) 2009-2013 by Jeff Mott. All rights reserved.

Redistribution and use in source and binary forms, with or without modification, are permitted provided that the following conditions are met:

- * Redistributions of source code must retain the above copyright notice, this list of conditions, and the following disclaimer.
- * Redistributions in binary form must reproduce the above copyright notice, this list of conditions, and the following disclaimer in the documentation or other materials provided with the distribution.
- * Neither the name CryptoJS nor the names of its contributors may be used to endorse or promote products derived from this software without specific prior written permission.

THIS SOFTWARE IS PROVIDED BY THE COPYRIGHT HOLDERS AND CONTRIBUTORS "AS IS," AND ANY EXPRESS OR IMPLIED WARRANTIES, INCLUDING, BUT NOT LIMITED TO, THE IMPLIED WARRANTIES OF MERCHANTABILITY AND FITNESS FOR A PARTICULAR PURPOSE, ARE DISCLAIMED. IN NO EVENT SHALL THE COPYRIGHT HOLDER OR CONTRIBUTORS BE LIABLE FOR ANY DIRECT, INDIRECT, INCIDENTAL, SPECIAL, EXEMPLARY, OR CONSEQUENTIAL DAMAGES (INCLUDING, BUT NOT LIMITED TO, PROCUREMENT OF SUBSTITUTE GOODS OR SERVICES; LOSS OF USE, DATA, OR PROFITS; OR BUSINESS INTERRUPTION) HOWEVER CAUSED AND ON ANY THEORY OF LIABILITY, WHETHER IN CONTRACT, STRICT LIABILITY, OR TORT (INCLUDING NEGLIGENCE OR OTHERWISE) ARISING IN ANY WAY OUT OF THE USE OF THIS SOFTWARE, EVEN IF ADVISED OF THE POSSIBILITY OF SUCH DAMAGE.

纸张相关信息

- ▶ 支持的介质类型
- ▶ 纸张装入限量
- ▶ 不支持的介质类型
- ▶ 使用纸张
- ▶ 在 Art 纸张上打印前

支持的介质类型

为获得最佳效果，请选择针对您的打印方式设计的纸张。Canon 提供适合文档以及照片或插图的各种类型的纸张。请尽可能使用 Canon 原装纸张打印重要照片。

- [介质类型](#)
- [页尺寸](#)
- [纸张重量/厚度](#)

介质类型

Canon 原装纸张

注 释

- 有关使用不可打印面的警告，请参见每个产品的使用信息。
- 根据销售纸张的国家或地区，页尺寸和介质类型会有所不同。有关页尺寸和介质类型的详细资料，请访问 Canon 网站。
- 某些国家/地区可能不提供 Canon 原装纸张。请注意，在美国，Canon 纸张不按型号销售。请按名称购买纸张。

用于打印文档的纸张：

- Canon Red Label Superior <WOP111>
- Canon Océ Office Colour Paper <SAT213>
- 高分辨率纸 <HR-101N>

用于打印照片的纸张：

- 优质专业照片纸 <PT-101>
- 光面照相纸"Everyday Use" <GP-501>
- 光面照相纸 <GP-701>
- 高级光面照片纸 II <PP-201/PP-208/PP-301>
- 专业绒面照片纸 <LU-101>
- 亚高光泽照片纸 <SG-201>
- 无光泽照片纸 <MP-101>
- Photo Paper Pro Premium Matte <PM-101>
- 优质精细艺术 粗面相片打印纸 <FA-RG1>

用于制作原稿的纸张：

- 可打印指甲贴 <NL-101>
- Light Fabric Iron-on Transfers <LF-101>
- Dark Fabric Iron-on Transfers <DF-101>

除 Canon 原装纸张以外的纸张

- 普通纸(包括再生纸)
- 信封
- T 恤转印介质
- 贺卡
- 卡片纸

■ 纸张装入限量

■ [打印机驱动程序和打印机上的纸张设置\(介质类型\)](#) (Windows)

■ [打印机驱动程序和打印机上的纸张设置\(介质类型\)](#) (Mac)

▶▶▶ 注释

- 打印保存在兼容 PictBridge(Wi-Fi)的设备中的照片时，必须指定页尺寸和介质类型。

■ [从数码相机打印](#)

- 使用 Art 纸张时，请参见[在 Art 纸张上打印前](#)。

■ 页尺寸

可以使用以下页尺寸。

▶▶▶ 注释

- 根据使用的操作系统，打印机支持的页尺寸和介质类型会有所不同。

标准尺寸：

- 上端进纸盘
 - Letter
 - Legal
 - 28x43cm(11"x17")
 - A5
 - A4
 - A3
 - A3+
 - B5
 - B4
 - KG/10x15cm(4x6)
 - 13x18cm(5"x7")
 - 18x25cm(7"x10")
 - 20x25cm(8"x10")
 - 25x30cm(10"x12")
 - 210x594mm

- L(89x127mm)
- 2L(127x178mm)
- 正方形 13cm
- 30x30cm(12"x12")
- Hagaki
- Hagaki 2
- 信封 Com 10
- 信封 DL
- 手动进纸托盘
 - Letter
 - Legal
 - 28x43cm(11"x17")
 - A4
 - A3
 - A3+
 - B4
 - 20x25cm(8"x10")
 - 25x30cm(10"x12")
 - 210x594mm
 - 30x30cm(12"x12")

特殊尺寸

特殊页尺寸必须在以下范围内：

- 上端进纸盘
 - 最小尺寸：89.0 x 127.0 毫米(3.50 x 5.00 英寸)
 - 最大尺寸：329.0 x 990.6 毫米(12.95 x 39.00 英寸)
- 手动进纸托盘
 - 最小尺寸：203.2 x 254.0 毫米(8.00 x 10.00 英寸)
 - 最大尺寸：330.2 x 990.6 毫米(13.00 x 39.00 英寸)

纸张重量/厚度

可以使用以下重量/厚度范围内的纸张。

* 请勿使用重量或厚度超出此值的纸张，否则会造成打印机卡纸。

- 上端进纸盘
 - 普通纸：64 到 105g /m²(17 到 28 磅)
 - 专业纸：最多 300g /m²(80 磅) / 0.1 到 0.3 毫米(4 到 11.8 密尔)

- 手动进纸托盘

专业纸：最多 350g /m²(93 磅)/0.1 到 0.6 毫米(4 到 23.6 密尔)

纸张装入限量

本节介绍上端进纸盘、手动进纸托盘和出纸托盘的纸张装入限制。

■ [上端进纸盘和手动进纸托盘的纸张装入限制](#)

■ [出纸托盘的纸张装入限量](#)

注释

- 根据销售纸张的国家或地区，页尺寸和介质类型会有所不同。有关页尺寸和介质类型的详细资料，请访问 Canon 网站。

上端进纸盘和手动进纸托盘的纸张装入限制

原装 Canon 纸张

用于打印文档的纸张：

介质名称<型号>	上端进纸盘
Canon Red Label Superior <WOP111>	约 100 张
Canon Océ Office Colour Paper <SAT213>	约 80 张
高分辨率纸 <HR-101N> ^{*1}	A4、B5、Letter：约 80 张 B4：50 张 A3：20 张 A3+：1 张

用于打印照片的纸张：

介质名称<型号>	上端进纸盘	手动进纸托盘
优质专业照片纸 <PT-101> ^{*2} 光面照相纸"Everyday Use" <GP-501> ^{*2} 光面照相纸 <GP-701> ^{*2} 高级光面照片纸 II <PP-201/PP-208/PP-301> ^{*2} 专业绒面照片纸 <LU-101> ^{*2} 亚高光泽照片纸 <SG-201> ^{*2} 无光泽照片纸 <MP-101>	KG/10x15cm(4x6)、 L(89x127mm)、正方形 13cm、 Hagaki：20 张 A4、A3、Letter、 13x18cm(5"x7")、 20x25cm(8"x10")、 2L(127x178mm)：10 张 A3 +、25x30cm(10"x12")：1 张	1 张
Photo Paper Pro Premium Matte <PM-101> 优质精细艺术 粗面相片打印纸 <FA-RG1>	N/A	1 张

用于制作原稿的纸张：

介质名称<型号>	上端进纸盘	手动进纸托盘
Light Fabric Iron-on Transfers <LF-101> Dark Fabric Iron-on Transfers <DF-101>	1 张	1 张

除 Canon 原装纸张以外的纸张

通用名称	上端进纸盘	手动进纸托盘
普通纸(包括再生纸)*1	A5、A4、B5、Letter: 约 100 张 A3、B4、Legal、 28x43cm(11"x17"): 约 50 张	N/A
信封	10 张	N/A
T 恤转印介质	1 张	N/A
贺卡	1 张	1 张
卡片纸	1 张	1 张

*1 对于某些纸张类型或者在很高或很低的温度或湿度下，纸张可能无法以最大容量正常送入。在这种情况下，请装入一半或更少的纸张数。

*2 装入整叠纸张时，送入纸张时可能会在打印面上留下标记或影响送纸效率。在这种情况下，一次装入一张纸。

»» 注释

- 使用非 Canon 原装专业纸时，在上端进纸盘或手动进纸托盘中一次装入一张纸。

出纸托盘的纸张装入限量

原装 Canon 纸张

用于打印文档的纸张：

介质名称<型号>	出纸托盘
Canon Red Label Superior <WOP111> Canon Océ Office Colour Paper <SAT213> 高分辨率纸 <HR-101N>	约 50 张

除 Canon 原装纸张以外的纸张

通用名称	出纸托盘
普通纸(包括再生纸)	约 50 张

使用上述以外的纸张继续打印时，建议从出纸托盘取出已打印的纸张，以免弄脏或变色。

不支持的介质类型

请勿使用以下类型的纸张。使用此类纸张不但打印效果不理想，还会造成打印机卡纸或无法正常工作。

- 折叠的纸张、卷曲的纸张或皱褶的纸张
- 受潮的纸张
- 过薄的纸张
 - 上端进纸盘
 - 普通纸：少于 64g /m²(17 磅)
 - 专业纸：低于 0.1 毫米(4 密尔)
 - 手动进纸托盘
 - 专业纸：低于 0.1 毫米(4 密尔)
- 过厚的纸张
 - 上端进纸盘
 - 普通纸：超过 105g /m²(28 磅)
 - 专业纸：超过 300g /m²(80 磅)或超过 0.3 毫米(11.8 密尔)
 - 手动进纸托盘
 - 专业纸：超过 350g /m²(93 磅)或超过 0.6 毫米(23.6 密尔)
- 比明信片更薄的纸张，包括剪切为小尺寸的普通纸或记事本纸张(在小于 A5 的纸张上打印时)
- 图片明信片
- 贴有照片或贴条的明信片
- 双盖舌的信封
- 有凹凸花纹或表面经过处理的信封
- 涂胶盖舌已潮湿并具有粘性的信封
- 任何类型有孔的纸张
- 非长方形纸张
- 使用钉书钉或胶水等装订的纸张
- 背面具有粘性的纸张(如标签)
- 装饰有发光物等的纸张

使用纸张

- 处理任何类型的纸张时，请小心不要磨擦或划伤其表面。
- 尽可能靠近纸张的边缘握住纸张，尽量不要触摸打印面。如果打印面被手上的汗渍或油渍弄脏，可能会降低打印质量。
- 在墨水干透前，请勿触摸打印面。即使墨水已干透，在处理时也请小心尽量不要触摸打印面。
- 打印前仅从包装中取出所需数量的纸张。
- 为避免卷曲，请在不打印时将未用完的纸张放回包装并将其水平放置保存。存放时也要避免高温、潮湿和阳光直射。

在 Art 纸张上打印前

使用 Art 纸张时，容易产生灰尘。因此建议在打印前清除 Art 纸张上的纸张灰尘。

需要使用软毛刷(或用于清洁办公自动化设备的类似刷子)。

刷子越宽效率越高。



可以 - 由聚丙烯、聚乙烯、马毛或羊毛等材料制成的软刷。

重要事项

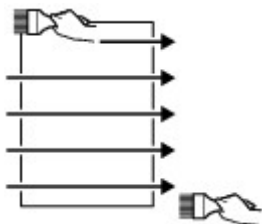
- 请勿使用以下所示的刷子。否则可能损坏打印面。



不可以 - 由较硬的材料、布、毛巾、粘性的或磨面的材料制成的刷子。

纸张灰尘清除步骤：

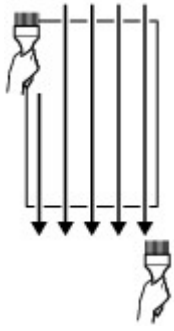
1. 确认刷子没有潮湿并且没有灰尘或污垢。
2. 朝一个方向小心地刷扫整个打印面。



重要事项

- 务必始终从纸张的一边刷扫到另一边；切勿在中间位置开始擦拭或中途停止。
- 请注意，尽量不要触摸打印面。

3. 要彻底清除纸张灰尘，以另一方向从上到下刷扫纸张。



从操作面板/Web 浏览器更改设置

- ▶ 操作面板
- ▶ LCD 屏幕和操作面板
- ▶ 从操作面板更改设置
 - 从操作面板更改设置
 - 操作面板上的设置项目
 - 打印设置
 - LAN 设置
 - PictBridge 打印设置
 - AirPrint 打印设置
 - 智能手机照片打印设置
 - 其他设备设置
 - 语言选择
 - 固件更新
 - 纸张相关设置
 - 节能设置
 - 静音设置
 - 管理员密码设置
 - 在操作面板上设置管理员密码
 - 重置设置
 - Web 服务设置
 - 打印机信息
- ▶ 从计算机中更改打印机设置(Windows)
 - 更改打印选项
 - 注册常用打印配置文件
 - 更新打印机驱动程序中的介质信息
 - 管理打印机电源
 - 更改打印机操作模式

- 降低打印机噪音

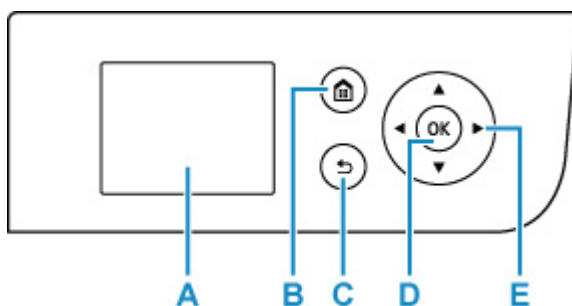
► **从计算机中更改打印机设置(macOS)**

- 注册已更改的打印配置文件
- 管理打印机电源
- 更改打印机操作模式
- 更新打印机驱动程序中的介质信息
 - 更正打印机驱动程序中的介质信息(在共享环境中使用打印机时)
- 降低打印机噪音

► **使用 Web 浏览器更改打印机的设置**

- 使用 Web 浏览器更改配置
- 可使用 Web 浏览器更改的设置项目
- 设置密码
- 注册打印机根证书至 Web 浏览器以进行 SSL 通讯(远程用户界面)
- 注册打印机根证书至本地计算机以进行 SSL 通讯
- 生成服务器证书(自签名证书)

操作面板



A: LCD(液晶显示器)

显示信息、菜单项和工作状态。

B: 主页按钮

用于显示主页屏幕。

■ [LCD 屏幕和操作面板](#)

C: 返回按钮

将 LCD 屏幕返回至上一屏幕。

D: OK 按钮

完成菜单或设置项目的选择。此按钮也可用于清除错误。

E: ▲、▼、◀和▶按钮

用于选择菜单或设置项目。

■ [LCD 屏幕和操作面板](#)

LCD 屏幕和操作面板

打开打印机将显示主页屏幕。

使用▲ ▼按钮从菜单中选择一个项目，然后可以按 **OK** 按钮执行每种设置。



A: 打印机状态显示区域

显示打印机状态、信息和其他信息。

■ 通知信息

B: 网络

通过图标显示网络状态。

根据所使用的网络或网络状态，图标会有所不同。



已启用 Wi-Fi，且打印机已连接到无线路由器。

注 释

- 图标会根据信号状态而改变。



(信号强度：81%或更强)：可以顺利通过 Wi-Fi 使用打印机。



(信号强度：51%或更强)：根据网络状态，可能会出现打印机无法打印等问题。建议将打印机放置在靠近无线路由器的位置。



(信号强度：50%或更弱)：可能会出现打印机无法打印等问题。将打印机放置在靠近无线路由器的位置。



已启用 Wi-Fi，但打印机未连接到无线路由器。



有线 LAN 已启用。



无线直连已启用。



网络已禁用。

C: 墨水状态显示区域

显示墨水状态。选择此项可以检查剩余墨水量和墨水盒的型号。

■ [在 LCD 屏幕上检查墨水状态](#)

D: 纸张设置显示区域

显示有关上端进纸盘中纸张的信息。选择此项可以指定上端进纸盘中装入纸张的尺寸和类型。

E: 维护

选择此项可以执行打印机的维护。

F: 模板打印

可以打印横格纸或方格纸。

G: LAN 设置

可以执行与网络有关的设置。

H: 各种设置

可以更改打印机设置，例如打印时的设置。

I: 打印机信息

显示打印机信息和错误历史记录。

J: 快速指南

显示如何操作打印机和用于访问在线手册的 QR 码。

▶▶▶ 注释

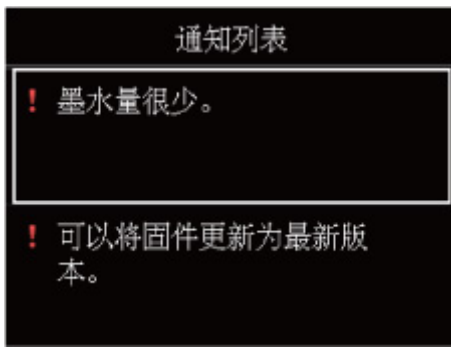
- 打印过程中，您不能选择灰色项目。

通知信息

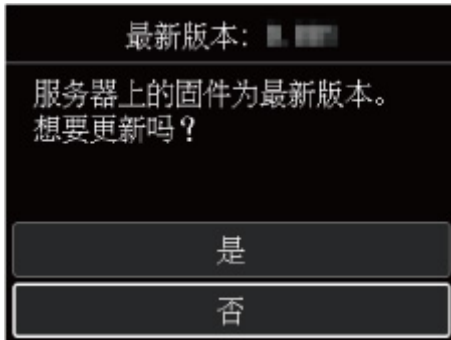
墨水不足或有其他通知时，打印机状态显示区域会出现**新通知**。



按▶按钮可显示**通知列表**屏幕以检查信息。



使用▲▼按钮选择信息，然后按 OK 按钮查看信息详情屏幕，由此查看详情并进行操作。



从操作面板更改设置

- ▶ 从操作面板更改设置
- ▶ 操作面板上的设置项目

从操作面板更改设置

本节以指定无边距缩放比例的步骤为例，描述在设备设置屏幕中更改设置的步骤。

1. 确认打印机是否已开启。

■ [电源供应](#)

2. 在主页屏幕上选择  各种设置，然后按 OK 按钮。

■ [LCD 屏幕和操作面板](#)

3. 使用 ▲▼ 按钮选择设备设置，然后按 OK 按钮。

显示设备设置屏幕。

4. 使用 ▲▼ 按钮选择设置项目，然后按 OK 按钮。



显示所选项目的设置屏幕。

5. 使用 ▲▼ 按钮选择项目，然后按 OK 按钮。



6. 使用 ▲▼ 按钮选择设置项目，然后按 OK 按钮。



有关操作面板上设置项目的更多信息，请参见：

- [操作面板上的设置项目](#)

操作面板上的设置项目

»» 注释

- 如果为使用操作面板更改设置启用了管理员密码，则更改某些设置项目需要管理员密码。

有关需要管理员密码的设置项目的更多信息：

- [在操作面板上设置管理员密码](#)

针对安全性的项目

- [管理员密码设置](#)

针对打印机的项目

- [其他设备设置](#)
- [语言选择](#)
- [Web 服务设置](#)
- [节能设置](#)
- [静音设置](#)

针对纸张/打印的项目

- [打印设置](#)
- [PictBridge 打印设置](#)
- [AirPrint 打印设置](#)
- [智能手机照片打印设置](#)
- [纸张相关设置](#)

针对维护/管理的项目

- [LAN 设置](#)
- [固件更新](#)
- [重置设置](#)
- [打印机信息](#)

打印设置

• 防止纸张磨损

仅在打印面出现脏污时使用此设置。

▶▶▶ 重要事项

- 打印完成后务必将此设置重新设为**关**，否则可能导致打印质量降低。

• 自动照片修复设置

选择**是**时，如果在使用兼容 PictBridge(Wi-Fi)的设备进行打印时选择了**默认***或**开**，则可以选择使用图像文件中记录的 Exif 信息打印照片。

* 将兼容 PictBridge(Wi-Fi)设备中的打印设置选择为**默认**时，请在 **PictBridge 打印设置**中将**照片修复**选择为**自动照片修复**。

• 调整水平打印位置

调整左/右边距未对齐时的打印位置。

以纸张的水平中线为中心，以 0.1 毫米/0.01 英寸为增量在-3 毫米/-0.12 英寸和+3 毫米/+0.12 英寸之间调整左/右边距。

▶▶▶ 重要事项

- 对于 A3、A3+和 30 x 30 厘米(12" x 12")，即使指定超过 1.5 毫米(0.06 英寸)的数值，也只能在-1.5 毫米(-0.06 英寸)和+1.5 毫米(+0.06 英寸)之间调整左/右边距。

• 无边距缩放比例

进行无边距(x1)打印时，选择图像扩展到纸张之外的扩展量。

执行无边距打印时，打印出的图像被放大以填充整个页面，因此图像边缘可能被裁去少许内容。可以根据需要更改要从原稿图像边缘裁剪的宽度。

▶▶▶ 重要事项

- 在以下情况下，设置将无效：
 - 从支持 PictBridge(Wi-Fi)的设备打印。
 - 从标准表格打印。

▶▶▶ 注释

- 从应用程序软件或打印机驱动程序执行设置时，将优先处理这些设置。
- 如果执行无边距打印时打印输出仍带有边距，将此设置指定为大可能有助于解决问题。

LAN 设置

从主页屏幕中选择该设置项目。

重要事项

- 如果为使用操作面板更改设置启用了管理员密码，则更改设置需要管理员密码。

• Wi-Fi

显示 Wi-Fi 连接的以下设置信息。（根据打印机设置，某些项目不会显示。）

项目	设置
连接	已启用(已连接)/已启用(已断开)/禁用
网络名称(SSID)	XXXXXXXXXXXXXXXXXX XXXXXXXXXXXXXXXXXX(最多 32 个字符)
通信模式	基础结构
频率	2.4GHz/5GHz
通道	XX(最多 2 位数字)
Wi-Fi 安全	禁用/WEP(64 位)/WEP(128 位)/WPA-PSK(TKIP)/WPA-PSK(AES)/WPA2-PSK(TKIP)/WPA2-PSK(AES)
信号强度(%)	XXX
IPv4 地址	XXX.XXX.XXX.XXX(12 个字符)
IPv4 子网掩码	XXX.XXX.XXX.XXX(12 个字符)
IPv4 默认网关	XXX.XXX.XXX.XXX(12 个字符)
IPv6 本地链路地址	XXXX:XXXX:XXXX:XXXX: XXXX:XXXX:XXXX:XXXX(32 个字符)
IPv6 本地链路前缀长度	XXX(最多 3 位数字)
IPv6 手动地址	XXXX:XXXX:XXXX:XXXX: XXXX:XXXX:XXXX:XXXX(32 个字符)
IPv6 手动前缀长度	XXX(最多 3 位数字)
IPv6 无状态地址 1	XXXX:XXXX:XXXX:XXXX: XXXX:XXXX:XXXX:XXXX(32 个字符)
IPv6 无状态前缀长度 1	XXX(最多 3 位数字)
IPv6 无状态地址 2	XXXX:XXXX:XXXX:XXXX: XXXX:XXXX:XXXX:XXXX(32 个字符)
IPv6 无状态前缀长度 2	XXX(最多 3 位数字)
IPv6 无状态地址 3	XXXX:XXXX:XXXX:XXXX: XXXX:XXXX:XXXX:XXXX(32 个字符)
IPv6 无状态前缀长度 3	XXX(最多 3 位数字)
IPv6 无状态地址 4	XXXX:XXXX:XXXX:XXXX: XXXX:XXXX:XXXX:XXXX(32 个字符)
IPv6 无状态前缀长度 4	XXX(最多 3 位数字)

IPv6 默认网关 1	XXXX: XXXX: XXXX: XXXX: XXXX: XXXX: XXXX: XXXX(32 个字符)
IPv6 默认网关 2	XXXX: XXXX: XXXX: XXXX: XXXX: XXXX: XXXX: XXXX(32 个字符)
IPv6 默认网关 3	XXXX: XXXX: XXXX: XXXX: XXXX: XXXX: XXXX: XXXX(32 个字符)
IPv6 默认网关 4	XXXX: XXXX: XXXX: XXXX: XXXX: XXXX: XXXX: XXXX(32 个字符)
MAC 地址(Wi-Fi)	XX:XX:XX:XX:XX:XX(12 个字符)
IPsec 设置	启用(ESP)/启用(ESP & AH)/启用(AH)/禁用
打印机名称	XXXXXXXXXXXXXXXXXX(最多 15 个字符)
Bonjour 服务名称	XXXXXXXXXXXXXXXXXX XXXXXXXXXXXXXXXXXX XXXXXXXXXXXXXXXXXX XXXXXXXXXXXXXXXXXX(最多 52 个字符)

(“XX”表示字母数字字符。)

要更改设置，请选择**设置**。

- **启用/禁用 Wi-Fi**

选择**启用**以通过无线路由器进行无线连接。

- **Wi-Fi 设置**

选择如何设置 Wi-Fi。

- **简易无线连接**

如果不操作无线路由器而从设备(例如智能手机或平板电脑)直接对打印机进行访问点信息设置，请选择此项。按照连接设备屏幕上的说明执行设置步骤。

- **手动连接**

使用打印机的操作面板手动执行 Wi-Fi 设置时选择。

- **WPS(单键方法)**

使用支持 Wi-Fi Protected Setup(WPS)单键方法的无线路由器执行 Wi-Fi 设置时选择该方法。设置时请按照屏幕上的说明进行操作。

- **其他连接类型**

- **手动连接(高级设置)**

手动执行 Wi-Fi 设置时选择该方法。可以指定多个 WEP 密钥。

- **WPS(PIN 编码方法)**

使用支持 Wi-Fi Protected Setup(WPS)PIN 编码方法的无线路由器执行 Wi-Fi 设置时选择该方法。设置时请按照屏幕上的说明进行操作。

- **高级设置**

有关各设置项目的详细资料：

- [高级设置](#)

• 无线直连

显示有关无线直连的以下设置信息。(根据打印机设置,某些项目不会显示。)

项目	设置
连接	启用/禁用
网络名称(SSID)/设备名称	DIRECT-XXXX-PRO-200series
密码	XXXXXXXXXX(10 个字符)
通信模式	无线直连
通道	3
Wi-Fi 安全	WPA2-PSK(AES)
现在连接的设备数量	XX/XX
IPv4 地址	XXX.XXX.XXX.XXX(12 个字符)
IPv4 子网掩码	XXX.XXX.XXX.XXX(12 个字符)
IPv4 默认网关	XXX.XXX.XXX.XXX(12 个字符)
IPv6 本地链路地址	XXXX:XXXX:XXXX:XXXX: XXXX:XXXX:XXXX:XXXX(32 个字符)
IPv6 本地链路前缀长度	XXX(最多 3 位数字)
MAC 地址(Wi-Fi)	XX:XX:XX:XX:XX:XX(12 个字符)
IPsec 设置	启用(ESP)/启用(ESP & AH)/启用(AH)/禁用
打印机名称	XXXXXXXXXXXXXXXXXX(最多 15 个字符)
Bonjour 服务名称	XXXXXXXXXXXXXXXXXX XXXXXXXXXXXXXXXXXX XXXXXXXXXXXXXXXXXX XXXXXXXXXXXXXXXXXX(最多 52 个字符)

(“XX”表示字母数字字符。)

要更改设置,请选择**设置**。

◦ 启用/禁用无线直连

选择**是**可不使用无线路由器进行无线连接。

◦ 更改 SSID/设备名称

更改无线直连的标识符(SSID/在兼容 Wi-Fi Direct 的设备上显示的打印机名称)。

◦ 更改密码

更改无线直连的密码。

◦ 确认连接请求

兼容 Wi-Fi Direct 的设备连接打印机时,更改确认屏幕的显示开/关。

◦ 高级设置

有关各设置项目的详细资料:

■ [高级设置](#)

• 有线 LAN

显示有线 LAN 连接的以下设置信息。(根据打印机设置, 某些项目不会显示。)

项目	设置
连接	已启用(已连接)/已启用(已断开)/禁用
IPv4 地址	XXX.XXX.XXX.XXX(12 个字符)
IPv4 子网掩码	XXX.XXX.XXX.XXX(12 个字符)
IPv4 默认网关	XXX.XXX.XXX.XXX(12 个字符)
IPv6 本地链路地址	XXXX:XXXX:XXXX:XXXX: XXXX:XXXX:XXXX:XXXX(32 个字符)
IPv6 本地链路前缀长度	XXX(最多 3 位数字)
IPv6 手动地址	XXXX:XXXX:XXXX:XXXX: XXXX:XXXX:XXXX:XXXX(32 个字符)
IPv6 手动前缀长度	XXX(最多 3 位数字)
IPv6 无状态地址 1	XXXX:XXXX:XXXX:XXXX: XXXX:XXXX:XXXX:XXXX(32 个字符)
IPv6 无状态前缀长度 1	XXX(最多 3 位数字)
IPv6 无状态地址 2	XXXX:XXXX:XXXX:XXXX: XXXX:XXXX:XXXX:XXXX(32 个字符)
IPv6 无状态前缀长度 2	XXX(最多 3 位数字)
IPv6 无状态地址 3	XXXX:XXXX:XXXX:XXXX: XXXX:XXXX:XXXX:XXXX(32 个字符)
IPv6 无状态前缀长度 3	XXX(最多 3 位数字)
IPv6 无状态地址 4	XXXX:XXXX:XXXX:XXXX: XXXX:XXXX:XXXX:XXXX(32 个字符)
IPv6 无状态前缀长度 4	XXX(最多 3 位数字)
IPv6 默认网关 1	XXXX:XXXX:XXXX:XXXX: XXXX:XXXX:XXXX:XXXX(32 个字符)
IPv6 默认网关 2	XXXX:XXXX:XXXX:XXXX: XXXX:XXXX:XXXX:XXXX(32 个字符)
IPv6 默认网关 3	XXXX:XXXX:XXXX:XXXX: XXXX:XXXX:XXXX:XXXX(32 个字符)
IPv6 默认网关 4	XXXX:XXXX:XXXX:XXXX: XXXX:XXXX:XXXX:XXXX(32 个字符)
MAC 地址(有线 LAN)	XX:XX:XX:XX:XX:XX(12 个字符)
IPsec 设置	启用(ESP)/启用(ESP & AH)/启用(AH)/禁用
打印机名称	XXXXXXXXXXXXXXXXXX(最多 15 个字符)
Bonjour 服务名称	XXXXXXXXXXXXXXXXXX XXXXXXXXXXXXXXXXXX XXXXXXXXXXXXXXXXXX XXXXXXXXXXXXXXXXXX(最多 52 个字符)

(“XX”表示字母数字字符。)

要更改设置，请选择**设置**。

- **启用/禁用有线 LAN**

连接有线 LAN 时选择**启用**。

- **高级设置**

有关各设置项目的详细资料：

- [高级设置](#)

- **打印详细信息**

打印出打印机以 Wi-Fi 连接、有线 LAN 连接、无线直连连接时的 LAN 设置信息。

有关可以检查的项目，请参见以下内容。

- [打印网络设置](#)

- ▶▶▶ **重要事项**

- 有关计算机的重要信息列于打印 LAN 设置信息的纸张上。请小心处理。

- ▶▶▶ **注释**

- 也可以按以下顺序从主页屏幕中进行选择，打印出 LAN 设置信息。

LAN 设置 > 打印详细信息

- **高级设置**

通过选择 Wi-Fi 连接、有线 LAN 连接、无线直连连接的每个设置屏幕上的**高级设置**，可以详细设置 LAN 信息。

- ▶▶▶ **重要事项**

- 如果 LAN 被禁用，则无法选择以下各项。

- **设置打印机名称**

指定打印机名称。可以使用 2 到 15 个字符作为名称。

- ▶▶▶ **注释**

- 不能使用与 LAN 连接的其他设备已使用的打印机名称相同的名称。
 - 不能使用连字符作为打印机名称的首字符或最后一个字符。

- **TCP/IP 设置**

执行 IPv4 或 IPv6 设置。

- **WSD 设置**

在使用 WSD(Windows 10、Windows 8.1 和 Windows 7 环境下支持的网络协议之一)时设置项目。

- **启用/禁用 WSD**

选择启用或禁用 WSD。

▶▶▶ 注释

- 启用此设置时，Windows 10、Windows 8.1 和 Windows 7 环境下的网络浏览器上会显示打印机图标。

■ 优化入站 WSD

选择**启用**可以更快地接收 WSD 打印数据。

■ 超时设置

指定超时时间。

◦ Bonjour 设置

使用 Bonjour 时设置项目。

■ 启用/禁用 Bonjour

选择**启用**可以使用 Bonjour 执行网络设置。

■ 服务名称

指定 Bonjour 服务名称。该名称最多可以使用 48 个字符。

▶▶▶ 注释

- 不能使用与 LAN 连接的其他设备已使用的服务名称相同的名称。

◦ IEEE802.1X 设置

设置 IEEE802.1X 身份验证方法等。

◦ LPR 协议设置

启用/禁用 LPR 设置。

◦ RAW 协议

启用/禁用 RAW 打印。

◦ LLMNR

指定 LLMNR(链路本地多播名称解析)的开/关。选择**开**可使打印机通过打印机名称检测到打印机的 IP 地址，而无需 DNS 服务器。

◦ IPP 设置

选择**启用**可以使用 IPP 协议通过网络进行打印。

◦ PictBridge 通讯

设置从兼容 PictBridge(Wi-Fi)的设备打印的项目。

■ 启用/禁用通讯

选择**启用**可以从兼容 PictBridge(Wi-Fi)的设备进行打印。

■ 超时设置

指定超时时间。

◦ Wi-Fi 间歇接收设置

使用 Wi-Fi 时，选择**启用**可以激活间歇接收。

◦ 有线 LAN 间歇接收设置

将打印机连接至与有线 LAN 兼容的设备时，选择**启用**可以激活间歇接收。

- **IPsec 设置**

选择**启用**可以指定 IPsec 安全。

PictBridge 打印设置

在设备设置上的各种设置中选择该设置项目。

从兼容 PictBridge(Wi-Fi)的设备打印时，可以更改打印设置。

要根据打印机上的设置进行打印时，将兼容 PictBridge(Wi-Fi)设备上的打印设置设为默认。

要从兼容 PictBridge(Wi-Fi)的设备更改打印设置：

兼容 PictBridge(Wi-Fi)的设备上的设置



A. 页尺寸

直接从兼容 PictBridge(Wi-Fi)的设备打印时选择纸张尺寸。

从打印机进行 PictBridge(Wi-Fi)设置时，请在兼容 PictBridge(Wi-Fi)的设备上将纸张尺寸设置为默认。

B. 类型 (介质类型)

直接从兼容 PictBridge(Wi-Fi)的设备打印时选择介质类型。

从打印机进行 PictBridge(Wi-Fi)设置时，请在兼容 PictBridge(Wi-Fi)的设备上将纸张类型设置为默认。

C. 打印质量 (打印质量)

直接从兼容 PictBridge(Wi-Fi)的设备打印时，选择打印质量。

D. 边距 (有边距打印/无边距打印)

选择有边距/无边距布局。

从打印机进行 PictBridge(Wi-Fi)设置时，请在兼容 PictBridge(Wi-Fi)的设备上将布局设置为默认。

E. 照片修复

选择自动照片修复时，将识别拍摄照片中的场景或人物的面部，并自动对每张照片做最合适的修正。可以增亮逆光拍摄中变暗的面部以打印。也可分析如风景、夜景、人物等场景，并自动用最合适的色彩、亮度或对比度修正每个场景以打印。

注 释

- 默认情况下，在兼容 PictBridge(Wi-Fi)设备上的照片会应用自动修正打印。
- 如果选择了**无修正**，则打印照片时不进行修正。

F. 红眼修正

选择**开**以修正由于闪光灯造成的人像红眼。

根据照片类型，可能无法修正红眼或修正除红眼外的其他部分。

G. 按 **OK** 按钮指定打印设置。

AirPrint 打印设置

在设备设置上的各种设置中选择该设置项目。

使用 macOS 设备或 iOS 设备中的 AirPrint 进行打印时，可以更改打印设置。

- 打印质量设置

- 色彩模式

- 选择适合要打印的文档类型的色彩修正方法。

- ▶▶▶ 重要事项**

- 即使选择了 ICC 配置文件，如果 Media Configuration Tool 随附的纸张信息中未包含 ICC 配置文件，也不会使用 ICC 配置文件进行打印。即使纸张信息中包含 ICC 配置文件，如果打印机不支持该配置文件，打印也会失败并且弹出空白纸张。

智能手机照片打印设置

从智能手机或平板电脑打印照片时，您可以设置图像质量的校正。

- **自动照片修复**

选择**开**将自动校正到最佳图像质量。

▶▶▶ 注释

- 根据所使用的智能手机或平板电脑的打印功能，可能无法进行图像校正。

其他设备设置

在设备设置上的各种设置中选择该设置项目。

重要事项

- 如果启用了管理员密码，则需要管理员密码才能更改此设置。

日期/时间设置

设置当前的日期和时间。

重要事项

- 如果停电或拔出电源线，日期/时间设置将重置。

日期显示格式

更改打印时日期的显示格式。

按键重复

选择菜单或设置项目时，按住▲▼◀▶按钮可启用/禁用连续输入。

使用远程用户界面

启用/禁用远程用户界面。

键盘布局

可以从下面的键盘布局中选择要在 LCD 屏幕上显示的布局。

- QWERTY
- QWERTZ
- AZERTY

语言选择

在设备设置上的各种设置中选择该设置项目。

重要事项

- 如果启用了管理员密码，则需要管理员密码才能更改此设置。

更改 LCD 屏幕上信息和菜单的语言。

固件更新

在设备设置上的各种设置中选择该设置项目。

重要事项

- 如果启用了管理员密码，则需要管理员密码才能更改此设置。

可以更新打印机的固件、检查固件版本或执行通知屏幕、DNS 服务器和代理服务器的设置。

注释

- 如果 LAN 被禁用，则无法使用 **安装更新**、**DNS 服务器设置**、**代理服务器设置**。

• 安装更新

执行打印机的固件更新。如果选择**是**，固件更新开始。按照屏幕上的说明来执行更新。

重要事项

- 使用此功能时，确保打印机已连接到互联网。

注释

- 如果固件更新未完成，请检查以下各项并采取适当措施。
 - 检查网络设置，如无线路由器。
 - 如果 LCD 屏幕上显示“**无法连接至服务器。**”，请按 **OK** 按钮，然后过一段时间后重试。

• 检查当前版本

可以检查当前固件版本。

• 更新通知设置

选择**是**且固件更新可用时，LCD 屏幕上会显示提示固件更新的屏幕。

• DNS 服务器设置

执行 DNS 服务器设置。选择**自动设置**或**手动设置**。如果选择**手动设置**，按照 LCD 屏幕上的显示执行设置。

• 代理服务器设置

执行代理服务器设置。按照 LCD 屏幕上的显示执行设置。

纸张相关设置

在设备设置上的各种设置中选择该设置项目。

- **上端进纸盘纸张设置**

设置上端进纸盘中装入的纸张的尺寸和介质类型。

- **手动进纸托盘纸张设置**

设置手动进纸托盘中装入的纸张的尺寸和介质类型。

- **检查纸张更换**

如果选择**是**，则打印机将检测纸张是否已装入或取出。

装入纸张后显示纸张注册屏幕时，注册纸张尺寸和介质类型。

- **检测纸张设置不匹配**

如果选择**是**，打印机会将检测纸张尺寸和介质类型是否与注册的一致。如果使用不匹配的设置开始打印，LCD 屏幕上会出现错误信息。

- **注册纸张信息**

- **高级纸张设置**

对每种介质类型执行以下设置。

- 纸张厚度(打印头高度)
- 每次扫描后暂停
- 每页之间暂停
- 检测纸张宽度

选择**重置全部纸张的纸张设置**、**是**并按 **OK** 按钮可初始化设置。如果启用则需要输入管理员密码。

- **打印高级纸张设置**

选择**是**并按 **OK** 按钮可打印输出**高级纸张设置**中指定的每项设置。

- **重置全部纸张的纸张设置**

选择**是**并按 **OK** 按钮可初始化**高级纸张设置**中指定的每项设置。

如果启用则需要输入管理员密码。

节能设置

在设备设置上的各种设置中选择该设置项目。

启用该设置可以自动开启/关闭打印机以节省电量。

重要事项

- 如果启用了管理员密码，则需要管理员密码才能更改此设置。

- **自动电源关闭**

指定打印机在多长时间未执行任何操作或无打印数据发送到打印机时自动关闭。

- **自动电源开启**

选择开可使打印机在打印数据发送到打印机时自动开启。

静音设置

在设备设置上的各种设置中选择该设置项目。

如果想降低工作噪音，例如在夜间打印时，请启用打印机的此项功能。

重要事项

- 如果启用了管理员密码，则需要管理员密码才能更改此设置。

• 关

在不使用静音模式时选择该项。

• 开

选择该项可以降低打印时的工作噪音。

重要事项

- 与选择关时相比，操作速度会有所降低。
- 根据打印机设置，此项功能可能不会特别有效。此外，某些噪音(例如打印机准备打印所产生的噪音)不会降低。

注释

- 可以从打印机的操作面板或打印机驱动程序设置**静音设置**。无论如何设置静音模式，从打印机操作面板执行操作或从计算机打印时，均应用此模式。

管理员密码设置

在设备设置上的各种设置中选择该设置项目。

重要事项

- 如果启用了管理员密码，则需要管理员密码才能更改此设置。

可以指定或禁用管理员密码。

如果指定管理员密码，请选择范围并指定管理员密码。

- **远程用户界面或其他工具**

要使用远程用户界面或 IJ Network Device Setup Utility 更改设置项目，需要输入管理员密码。

- **LCD、远程用户界面或其他工具**

要使用打印机的操作面板、远程用户界面或 IJ Network Device Setup Utility 更改设置项目，需要输入管理员密码。

- [在操作面板上设置管理员密码](#)

在操作面板上设置管理员密码

可以指定或禁用管理员密码。

要指定管理员密码，需要输入密码以使用以下项目或更改以下设置。

- Web 服务设置
- LAN 设置
- 其他设备设置
- 语言选择
- 固件更新
- 节能设置
- 静音设置
- 管理员密码设置
- 重置设置 (全部重置除外)

请按照以下步骤指定管理员密码。

1. 确认打印机是否已开启。

■ [电源供应](#)

2. 在主页屏幕上选择  各种设置，然后按 OK 按钮。

■ [LCD 屏幕和操作面板](#)

3. 使用 ▲▼ 按钮选择设备设置，然后按 OK 按钮。

4. 使用 ▲▼ 按钮选择管理员密码设置，然后按 OK 按钮。

5. 显示指定管理员密码的确认屏幕时，选择是并按 OK 按钮。

如果未指定管理员密码，将出现注册确认信息。选择是，然后按 OK 按钮。再次出现该信息时，请按 OK 按钮。

重要事项

- 购买时已设置管理员密码。打印机的序列号用作密码。
有关管理员密码，请参阅管理员密码。

6. 显示管理密码屏幕时，使用 ▲▼ 按钮选择更改管理员密码，然后按 OK 按钮。

如果未指定管理员密码，请选择删除管理员密码和 OK 按钮。选择是，然后按 OK 按钮。再次出现该信息时，请按 OK 按钮。

7. 使用 ▲▼ 按钮选择管理员密码有效的范围，然后按 OK 按钮。

远程用户界面或其他工具

要使用远程用户界面或 IJ Network Device Setup Utility 更改设置项目，需要输入管理员密码。

LCD、远程用户界面或其他工具

要使用打印机的操作面板、远程用户界面或 IJ Network Device Setup Utility 更改设置项目，需要输入管理员密码。

8. 输入管理员密码。

按 **OK** 按钮显示输入屏幕。

输入管理员密码后，使用 **▲▼◀▶** 按钮选择 **OK**，然后按 **OK** 按钮。

▶▶▶ 重要事项

- 密码受以下字符限制：
 - 使用 4 到 32 个字符设置密码。
 - 允许的字符是单字节字母数字字符、空格、变音字符和以下符号。
- ! @ # \$ % ^ & * _ ; : , . / ` = + ' " () [] { } < > |
 - 出于安全原因，建议使用 8 个以上字母数字字符。

9. 使用 **▲▼** 按钮选择 **应用**，然后按 **OK** 按钮。

10. 再次输入指定的管理员密码。

按 **OK** 按钮显示输入屏幕。

在密码输入屏幕上完成管理员密码的输入后，使用 **▲▼◀▶** 按钮选择 **应用**，然后按 **OK** 按钮。

即启用管理员密码。

想要禁用管理员密码时：

在打印机的操作面板上按以下顺序操作后，请按照屏幕上的说明删除管理员密码。

各种设置 > 设备设置 > 管理员密码设置 > 输入管理员密码 > 删除管理员密码

重置设置

在设备设置上的各种设置中选择该设置项目。

重要事项

- 如果启用了管理员密码，则需要管理员密码才能更改此设置。

可以将设置恢复为默认值。

- **仅 Web 服务设置**

将 Web 服务设置恢复为默认值。

- **仅 LAN 设置**

将管理员密码以外的其他 LAN 设置恢复为默认值。

- **仅设置**

将纸张尺寸或介质类型的设置恢复为默认值。

- **全部重置**

将对打印机进行的全部设置设定为默认设置。 将为打印机指定的管理员密码设置为默认设置。

注释

- 无法将以下设置项目恢复为默认值：
 - LCD 屏幕上显示的语言
 - 打印头的当前位置
 - 用于加密方法(SSL/TLS)设置的 CSR(证书签名请求)
 - 使用 Media Configuration Tool 注册到打印机的介质信息

Web 服务设置

在 **Web 服务设置** 上的各种设置中选择该设置项目。

重要事项

- 这是针对管理员的设置项目。更改设置需要管理员密码。
- **注册 Web 服务使用/注销 Web 服务使用**
注册/删除 Web 服务使用信息，以使用来自或发送给 PIXMA/MAXIFY Cloud Link 的打印机设备信息。
- **Web 服务连接设置**
如下设置选项可用。
 - **IJ Cloud Printing Center 设置**
在 Canon Inkjet Cloud Printing Center 注册/删除打印机。
 - **检查 Web 服务设置**
确保打印机已注册到 Canon Inkjet Cloud Printing Center。
- **发布注册代码**
要链接 Web 服务和打印机，请从服务源获取注册代码。
- **DNS 服务器设置**
执行 DNS 服务器设置。选择**自动设置**或**手动设置**。如果选择**手动设置**，按照 LCD 屏幕上的显示执行设置。
- **代理服务器设置**
执行代理服务器设置。按照 LCD 屏幕上的显示执行设置。

打印机信息

从主页屏幕中选择该设置项目。

- **系统信息**

显示打印机的系统信息。

- **错误历史记录**

显示错误历史记录。

最多显示 5 个错误代码。

有关错误代码的更多信息，请参阅[与错误对应的支持代码列表](#)。

从计算机中更改打印机设置(Windows)

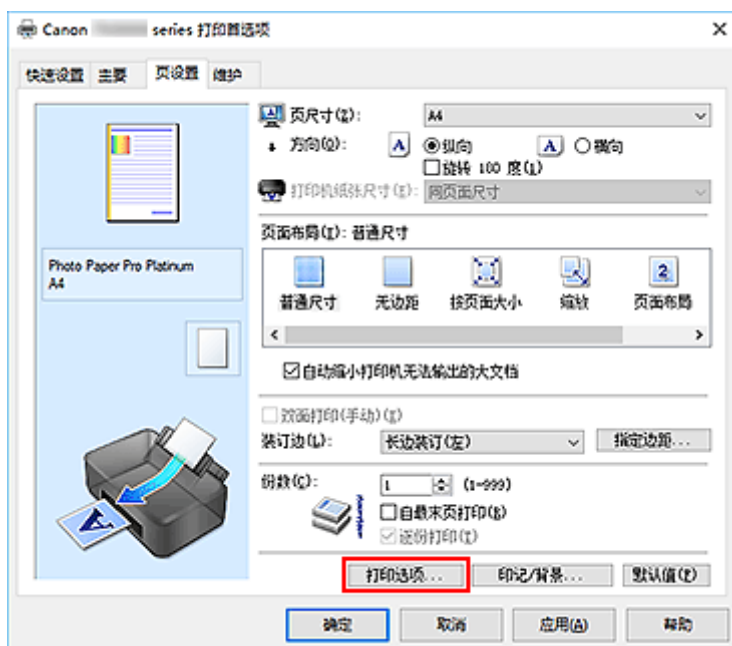
- ▶ 更改打印选项
- ▶ 注册常用打印配置文件
- ▶ 更新打印机驱动程序中的介质信息
- ▶ 管理打印机电源
- ▶ 更改打印机操作模式
- ▶ 降低打印机噪音

更改打印选项

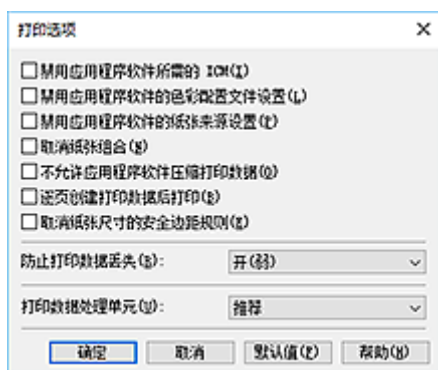
可为打印从应用程序软件发送的打印数据而更改详细的打印机驱动程序设置。

如果部分图像数据被剪裁，打印过程中的纸张来源与驱动程序设置的不同或者打印失败，请选中该复选框。

1. 打开[打印机驱动程序设置窗口](#)
2. 单击页设置选项卡上的打印选项...



打印选项对话框打开。



3. 更改各设置

如有必要，更改各项目的设置，然后单击**确定**。

再次显示**页设置**选项卡。

注册常用打印配置文件

可以将常用的打印配置文件注册到**快速设置**选项卡上的**常用设置**中。不需要的打印配置文件可以随时删除。

注册打印配置文件

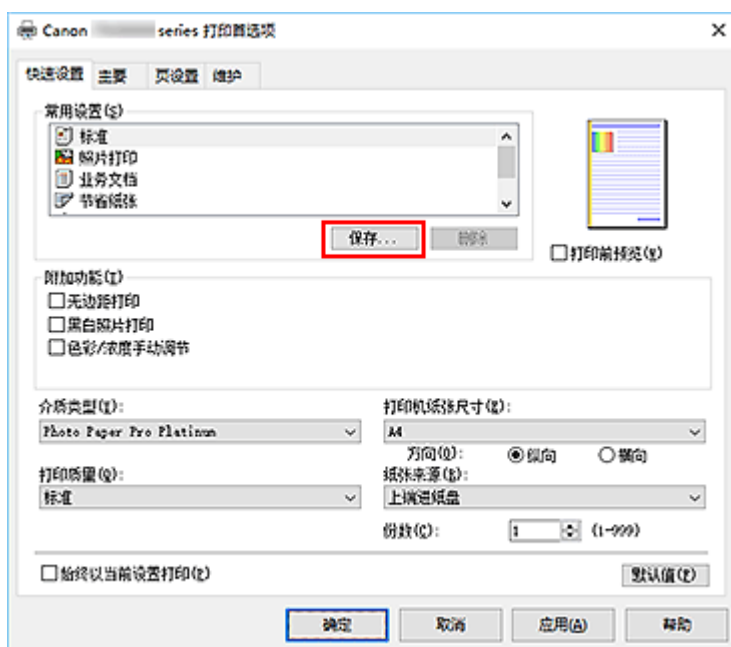
1. 打开[打印机驱动程序设置窗口](#)

2. 设置必要的项目

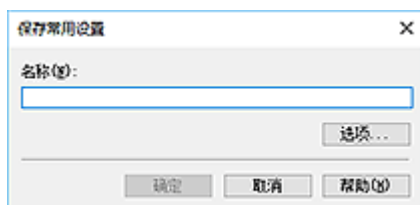
如有必要，从**快速设置**选项卡上的**常用设置**中选择要使用的打印配置文件，然后更改**附加功能**中的设置。

您也可以在**主要**和**页设置**选项卡上注册必要的项目。

3. 单击**保存...**



保存常用设置对话框打开。



4. 保存设置

输入打印设置的名称以在**名称**字段中注册。如有必要，单击**选项...**，设置项目，然后单击**确定**。

在**保存常用设置**对话框中，单击**确定**保存打印设置并返回**快速设置**选项卡。

名称和图标显示在**常用设置**中。

重要事项

- 要保存在每页中设置的页尺寸、方向和打印份数，请单击**选项...**，并选中各项。

注释

- 当重新安装打印机驱动程序或升级打印机驱动程序的版本时，已注册的打印设置将从**常用设置**中删除。
不能保存和保留已注册的打印设置。如果配置文件被删除，请重新注册打印设置。

删除不需要的打印配置文件

1. 选择要删除的打印配置文件

在**快速设置**选项卡上的**常用设置**列表中选择要删除的打印配置文件。

2. 删除打印配置文件

单击**删除**。出现确认信息时，单击**确定**。
将从**常用设置**列表中删除所选的打印配置文件。

注释

- 无法删除注册在初始设置中的打印配置文件。

更新打印机驱动程序中的介质信息

此功能从打印机获取最新介质信息并更新打印机驱动程序中的介质信息。
介质信息更新后，**主要选项卡**上的**介质类型**显示的介质将更新为最新信息。

更新介质信息的步骤如下所述。



更新介质信息

1. 打开打印机驱动程序设置屏幕
2. 在**维护**选项卡上，单击**更新介质信息**

出现**更新介质信息**对话框。

如果驱动程序中的介质信息无法成功更新，单击**最初确认项目**并检查显示的内容。

3. 确认介质信息是否已更新

按照对话框中的说明确认打印机是否已开启，然后单击**执行**。

确认打印机介质信息是否需要更新后，将显示一条信息。

如果打印机介质信息为最新，则单击**确定**并完成介质信息更新。

如果信息需要进行更新，请按照以下步骤进行操作：

4. 更新介质信息

出现确认信息时，单击**确定**。

打印机驱动程序中的介质信息将更新。

重要事项

- 更新介质信息可能会花费一些时间。

5. 完成介质信息更新

出现确认信息时，单击**确定**。

介质信息将进行更新。

重要事项

- 更新介质信息后，请重新启动打印机驱动程序。

重要事项

- 确保由具有管理权限的用户执行介质信息更新。
管理员以外的用户可以检查是否需要更新介质信息，但无法执行更新。
- 更新驱动程序中的介质信息时，请勿更改打印机上的介质信息。
- 已使用管理工具(Media Configuration Tool)添加、删除或编辑介质信息但尚未更新介质信息时，可能会引发问题，例如无法打印等。

管理打印机电源

使用该功能可以从 Canon IJ Printer Assistant Tool 管理打印机电源。



电源关闭

电源关闭功能可以关闭打印机电源。使用该功能时，无法从 Canon IJ Printer Assistant Tool 打开打印机电源。

1. 打开 [Canon IJ Printer Assistant Tool](#)

2. 执行电源关闭

单击**电源关闭**。出现确认信息时，单击**确定**。

打印机电源关闭。



自动电源

利用**自动电源**可以设置**自动电源开启**和**自动电源关闭**。

自动电源开启功能将在接收到数据时自动打开打印机电源。

当打印机驱动程序或打印机在指定时段内未进行任何操作时，**自动电源关闭**功能将自动关闭打印机电源。

1. 打开 [Canon IJ Printer Assistant Tool](#)

2. 确认打印机是否已开启，然后单击**自动电源**

自动电源设置对话框将打开。

▶▶▶ 注释

- 如果打印机关闭或打印机与计算机之间的通讯被禁用，由于计算机无法收集打印机状态信息，可能会出现一条错误信息。
如果发生此情况，单击**确定**可显示在计算机上新近指定的设置。

3. 如有必要，完成以下设置：

自动电源开启

在列表中指定**启用**将在接收到打印数据时打开打印机电源。

自动电源关闭

从列表中指定时间。当打印机驱动程序或打印机在该时段内未进行任何操作时，打印机将自动关闭。

4. 应用设置

单击**确定**。出现确认信息时，单击**确定**。

此后将启用设置。当想要禁用该功能时，请根据相同步骤从列表中选择**禁用**。

注 释

- 当关闭打印机时，Canon IJ Status Monitor 信息将根据**自动电源开启**的设置而有所变化。当设置为**启用**时，显示“打印机处于待机状态”。当设置为**禁用**时，显示“打印机脱机”。

更改打印机操作模式

如有必要，可以在打印机的多种操作模式之间进行切换。



用户定义设置

1. 打开 [Canon IJ Printer Assistant Tool](#)
2. 确认打印机是否已开启，然后单击**用户定义设置**

用户定义设置对话框打开。

▶▶▶ 注释

- 如果打印机关闭或打印机与计算机之间的通讯被禁用，由于计算机无法收集打印机状态信息，可能会出现一条错误信息。
如果发生此情况，单击**确定**可显示在计算机上新近指定的设置。

3. 如有必要，完成以下设置：

检测多用途托盘上的兼容介质

使用多用途托盘检测打印期间是否在多用途托盘上装入了兼容介质，如果未装入兼容介质则显示一条消息。

选中此复选框以检测打印时是否装入了兼容介质。

取消选中此复选框，则在打印时不检测是否装入了兼容介质。

▶▶▶ 重要事项

- 如果未选中此复选框，即使多用途托盘上没有装入兼容介质，打印机仍可能从多用途托盘打印。因此，一般情况下，应选中此复选框。
- 如将已有打印内容的兼容介质装入多用途托盘，打印机可能会检测为多用途托盘上没有装入兼容介质。在这种情况下，取消选中该复选框。

当方向为[横向]时向左旋转 90 度

在**页设置**选项卡上，可以在**方向**中更改**横向**的旋转方向。

如果要在打印过程中将打印数据向左旋转 90 度，请选择该项。如果要在打印过程中将打印数据向右旋转 90 度，请清除该项。

▶▶▶ 重要事项

- 打印作业显示在打印等待列表中时，请勿更改该设置。否则，可能遗漏字符或破坏布局。

▶▶▶ 注释

- 如果将**页设置**选项卡上的**页尺寸**选择为**信封 Com 10**、**信封 DL**、**Yougata 4 105x235mm** 或 **Yougata 6 98x190mm**，则无论**当方向为[横向]时向左旋转 90 度**设置如何，打印机都会将纸张向左旋转 90 度进行打印。

从计算机打印时不要检测纸张设置不匹配

从计算机打印文档时，打印机驱动程序上的纸张设置与打印机上注册的纸张信息不匹配，该设置禁止信息显示并允许继续打印。

要禁用纸张设置不匹配检测，请选中该复选框。

从计算机打印时禁用纸张宽度检测

即使从计算机打印的过程中，打印机识别的纸张宽度与在**页设置**选项卡上的**纸张尺寸**中设置的纸张宽度不同，该功能也会禁止信息显示并允许继续打印。

要在打印过程中禁用纸张宽度检测，请选中此复选框。

4. 应用设置

单击**确定**，显示确认信息时，单击**确定**。

此后，打印机将按照修改后的设置运行。

降低打印机噪音

静音功能可以降低打印机的操作噪音。希望在夜间或其他时间降低打印机的操作噪音时，请选择该模式。使用此功能可能会降低打印速度。



静音设置

1. 打开 [Canon IJ Printer Assistant Tool](#)

2. 单击**静音设置**

静音设置对话框打开。

▶▶▶ 注释

- 如果打印机关闭或打印机与计算机之间的通讯被禁用，由于计算机无法收集打印机状态信息，可能会出现一条错误信息。
如果发生此情况，单击**确定**可显示在计算机上新近指定的设置。

3. 设置静音模式

如有必要，请指定以下一种项目：

不使用静音模式

要想在操作噪音正常的情况下使用本打印机，请选择该选项。

总是使用静音模式

如果要降低打印机操作噪音，请选择该选项。

在指定时间内使用静音模式

如果要在指定时间段内降低打印机操作噪音，请选择该选项。

当要激活该静音模式时，请设置**开始时间**和**结束时间**。如果将两者设置为同一时间，则静音模式不可用。

▶▶▶ 重要事项

- 可以从打印机的操作面板或 Canon IJ Printer Assistant Tool 设置静音模式。
无论如何设置静音模式，从打印机的操作面板执行操作或从计算机打印时，均应用此模式。
- 如果直接从打印机进行操作(如直接打印等)，即使处于**在指定时间内使用静音模式**设置的时段也不会使用静音模式。

4. 应用设置

确认打印机是否已开启，然后单击**确定**。

出现确认信息时，单击**确定**。

此后将启用该设置。

▶▶▶ 注释

- 根据纸张来源和打印质量设置，静音模式的效果可能不明显。

使用 Web 浏览器更改打印机的设置

- ▶ 使用 Web 浏览器更改配置
- ▶ 可使用 Web 浏览器更改的设置项目
- ▶ 设置密码
- ▶ 注册打印机根证书至 Web 浏览器以进行 SSL 通讯(远程用户界面)
- ▶ 注册打印机根证书至本地计算机以进行 SSL 通讯
- ▶ 生成服务器证书(自签名证书)

使用 Web 浏览器更改配置

可以在智能手机、平板电脑或计算机上使用 Web 浏览器检查打印机状态以及更改打印机设置。

要检查打印机状态并更改打印机设置，请在 Web 浏览器上显示“远程用户界面”。

注 释

- 远程用户界面是一款软件，该软件可使用 Web 浏览器通过网络执行通常在打印机操作面板上执行的操作。

需要将打印机连接到 LAN 才能使用远程用户界面。

- 可以在以下操作系统和 Web 浏览器上使用远程用户界面。

- iOS 设备

操作系统：iOS 11.0 或更高版本

Web 浏览器：iOS 标准 Web 浏览器(Mobile Safari)

- Android 设备

操作系统：Android 4.4 或更高版本

Web 浏览器：Android 标准 Web 浏览器(Chrome)

- macOS 设备

操作系统：Mac OS X v10.10 或更高版本

Web 浏览器：Safari 10.0 或更高版本

- Windows 设备

操作系统：Windows 10/Windows 8.1/Windows 7 SP1 或更高版本

Web 浏览器：Internet Explorer 11 或更高版本、Google Chrome 或 Mozilla Firefox

1. 确认打印机是否已开启。

■ 电源供应

2. 检查打印机的 IP 地址。

1. 显示主页屏幕。

如果未显示主页屏幕，请选择**主页**按钮。

2. 使用▲▼按钮在主页屏幕上选择 LAN 设置，然后按 OK 按钮。

■ LCD 屏幕和操作面板

将出现设置菜单屏幕。

3. 使用▲▼按钮选择启用的 LAN，然后按 OK 按钮。

已禁用的 LAN 图标将显示对角线。

4. 使用▲▼按钮，检查 IPv4 地址。

3. 在智能手机、平板电脑或计算机上打开 Web 浏览器并输入 IP 地址。

在 Web 浏览器的 URL 字段中输入如下内容。

http://XXX.XXX.XXX.XXX

在“XXX.XXX.XXX.XXX”中输入 IP 地址。

访问时，智能手机、平板电脑或计算机上的 Web 浏览器中将显示“远程用户界面”。

4. 如果首次在智能手机、平板电脑或计算机上显示远程用户界面，请选择**为确保通讯安全**。

下载根证书，然后进行注册。

■ [注册打印机根证书至 Web 浏览器以进行 SSL 通讯\(远程用户界面\)](#)

▶▶▶ 注释

- 注册根证书至智能手机、平板电脑或计算机上的 Web 浏览器后，下次后不再需要该步骤。
如果从打印机的操作面板将所有设置还原为默认值，请重新下载根证书，然后进行注册。
- 如果没有注册根证书，可能会显示无法保证安全连接的警告信息。

5. 选择**登录**。

出现密码验证屏幕。

▶▶▶ 注释

- 启用标准用户模式时，可以选择管理员模式或标准用户模式进行登录。
选择模式并选择**登录**后，将显示各个模式的密码验证屏幕。

6. 输入密码。

密码验证完成时，Web 浏览器上会显示可以使用的菜单。

▶▶▶ 重要事项

- 购买时已设置密码。密码为打印机序列号。打印机序列号打印在粘贴于打印机的贴纸标签上。由 9 个字母数字字符(四个字母后跟五个数字)组成。
有关设置密码的详细资料，请参见[设置密码](#)。

7. 检查打印机状态并更改打印机设置。

有关可更改的设置项目，请参见以下内容。

■ [可使用 Web 浏览器更改的设置项目](#)

8. 完成打印机状态检查以及打印机设置更改后，选择**注销**。

9. 关闭 Web 浏览器。

可使用 Web 浏览器更改的设置项目

»» 注释

- 此处介绍的项目和 Web 浏览器中所显示项目的显示顺序可能有所不同。
- 管理员模式和标准用户模式下可使用的项目可能有所差异。

针对安全性的项目

安全 (针对管理员的项目)

该功能可以指定密码、标准用户模式设置和用于加密通讯的证书 SSL/TLS 设置。

有关设置密码的详细资料，请参见[设置密码](#)。

针对维护/管理的项目

实用程序

此功能允许您设置和执行清洁等维护。

系统信息和 LAN 设置

该功能可以检查系统信息以及更改 LAN 设置。

如果在 **LAN 设置的高级设置**中的 **CHMP 设置**中勾选**启用 HTTPS 重定向**复选框，则可以通过 HTTPS 通讯验证通讯伙伴并加密通讯数据。

»» 注释

- 部分菜单仅在以管理员模式登录时可用。

固件更新 (针对管理员的项目)

该功能可以更新固件和检查版本信息。

语言选择 (针对管理员的项目)

该功能可以更改显示语言。

针对打印机的项目

设备设置

该功能可以更改打印机设置，如节能设置和打印设置。

»» 注释

- 部分菜单仅在以管理员模式登录时可用。

AirPrint 设置

使用 macOS 设备或 iOS 设备中的 AirPrint 进行打印时，可以使用此功能执行打印设置。

Web 服务连接设置 (针对管理员的项目)

使用该功能可以将打印机注册至 IJ Cloud Printing Center，或删除注册。

其他项目

打印机状态

该功能显示打印机信息，如剩余墨水量、状态和详细错误信息。
还可以连接到墨水购买网站或支持页面，以及使用 Web 服务。

手册(在线)

该功能显示在线手册。

设置密码

可以分别设置管理员密码和标准用户密码。

使用管理员密码登录时，可以更改所有设置。

使用标准用户密码登录时，可以更改部分设置。

使用管理员密码登录时，可以限制标准用户的功能。

■ [设置管理员密码](#)

■ [设置标准用户密码](#)

»» 注释

- 只有在管理员模式下登录时，才可设置密码。

设置管理员密码

按照以下步骤更改管理员密码。

»» 重要事项

- 购买时已设置密码。密码为打印机序列号。打印机序列号打印在粘贴于打印机的贴纸标签上。由 9 个字母数字字符(四个字母后跟五个数字)组成。

1. [在 Web 浏览器中显示打印机状态。](#)

2. 选择**安全**。

将显示菜单。

3. 选择**管理员密码设置**。

4. 选择**更改管理员密码**。

如果未设置管理员密码，将显示注册确认信息。选择**是**。再次显示信息时，选择**OK**。

5. 选择管理员密码的有效范围，然后选择**OK**。

远程用户界面或其他工具

要使用远程用户界面或某些软件更改设置项目，需要输入管理员密码。

操作面板/远程用户界面/其他工具

要使用打印机的操作面板、远程用户界面或某些软件更改设置项目，需要输入管理员密码。

6. 输入密码，然后选择**OK**。

»» 重要事项

- 密码受以下字符限制：
 - 使用 4 到 32 个字符设置密码。
 - 允许的字符是单字节字母数字字符、空格、变音字符和以下字符。

-!@#\$\$%^&* _;:,. /`=+' "(){ }[]<>|

- 出于安全原因，建议使用 8 个以上字母数字字符。

7. 显示完成信息时，选择 **OK**。

设置标准用户密码

启用标准用户模式并按照以下步骤设置标准用户密码。

1. [在 Web 浏览器中显示打印机状态。](#)

2. 选择**安全**。

将显示菜单。

3. 选择**标准用户模式设置**。

4. 显示确认信息时，选择**是**。

5. 输入密码，然后选择 **OK**。

重要事项

- 密码受以下字符限制：
 - 使用 4 到 32 个字符设置密码。
 - 允许的字符是单字节字母数字字符、空格、变音字符和以下字符。

-!@#\$\$%^&* _;:,. /`=+' "(){ }[]<>|

- 出于安全原因，建议使用 8 个以上字母数字字符。

6. 显示完成信息时，选择 **OK**。

注册打印机根证书至 Web 浏览器以进行 SSL 通讯(远程用户界面)

如果没有注册打印机的根证书至 Web 浏览器，可能会出现无法保证安全连接的警告信息。

如果首次在智能手机、平板电脑或计算机上显示远程用户界面，请下载根证书，然后将其注册至 Web 浏览器。将确认安全连接并且不会显示信息。但是，即使注册根证书后也可能会出现提示信息，这取决于 Web 浏览器。

注册根证书的方式会因浏览器而有所不同。

- [对于 Internet Explorer](#)
- [对于 Safari](#)
- [对于 Android 上的 Chrome](#)
- [对于 iOS 上的 Mobile Safari](#)

操作步骤可能因 Web 浏览器版本而有所不同。对于其他 Web 浏览器，请参阅各帮助。

重要事项

- 在注册根证书之前检查 Web 浏览器的 URL 字段，确保已正确访问打印机的 IP 地址。
- 如果在使用 Windows 时通过 IPv6 连接打印机，则需要使用远程用户界面生成服务器证书。
有关详细资料，请参见[生成服务器证书\(自签名证书\)](#)。

对于 Internet Explorer

1. 选择远程用户界面上的下载。

开始下载根证书。

2. 如果出现确认屏幕，请选择打开。

显示证书屏幕。

注释

- 要将证书文件保存至设备并进行注册，请选择**保存**。从 Internet Explorer 的工具菜单中选择 **Internet 选项**，从**内容选项卡**上的**证书**注册根证书。

3. 选择安装证书。

显示证书导入向导屏幕。

4. 选择下一步。

5. 选择将所有的证书都放入下列存储。

6. 选择浏览。

显示选择证书存储屏幕。

7. 选择受信任的根证书颁发机构和确定。

8. 选择**证书导入向导**屏幕上的**下一步**。

9. 如果出现**正在完成证书导入向导**屏幕，请选择**完成**。

显示**安全警告**屏幕。

10. 确保**安全警告**屏幕上的指纹与打印机的指纹匹配。

从打印机的操作面板按以下顺序进行操作时，打印机的指纹将显示在**根证书指纹(SHA-1)**列或**根证书指纹(SHA-256)**列中。

打印机信息 > 系统信息

11. 如果**安全警告**屏幕上的指纹与打印机的指纹匹配，请选择**是**。

12. 选择**证书导入向导**屏幕上的**确定**。

根证书注册完成。

对于 Safari

1. 选择远程用户界面上的**下载**。

开始下载根证书。

2. 打开下载文件。

显示**添加证书**屏幕。

3. 选择**添加**。

4. 确保证书详细信息的指纹与打印机的指纹匹配。

从打印机的操作面板按以下顺序进行操作时，打印机的指纹将显示在**根证书指纹(SHA-1)**列或**根证书指纹(SHA-256)**列中。

打印机信息 > 系统信息

5. 如果证书详细信息的指纹与打印机的指纹匹配，请选择**总是信任**。

根证书注册完成。

▶▶▶ 注释

- 如果设备上已设置密码，可能会要求输入密码。

对于 Android 上的 Chrome

1. 选择远程用户界面上的**下载**。

开始下载根证书，然后显示**命名证书**屏幕。

2. 由于需要输入根证书名称，随意输入证书名称并选择**确定**。

根证书注册完成。

»» 注释

- 如果安全类型没有设置为 PIN 或密码，可能会出现注意屏幕。选择**确定**，然后将安全类型设置为 PIN 或密码。

注册根证书后

建议确保已注册正确的根证书。

要确保已注册正确的根证书，请确保证书信息的指纹与打印机指纹相匹配。请按照以下步骤操作。

»» 注释

- 某些 Android 设备无法检查注册的路由证书的指纹。

1. 从设备上的**设置**菜单，选择**安全、受信任的凭据**和 **USER**。

出现已下载的证书列表。

2. 选择下载的证书。

会显示证书信息。

3. 确保证书信息的指纹与打印机的指纹匹配。

从打印机的操作面板按以下顺序进行操作时，打印机的指纹将显示在**根证书指纹(SHA-1)**列或**根证书指纹(SHA-256)**列中。

打印机信息 > 系统信息

4. 如果证书信息屏幕的指纹与打印机的指纹匹配，请选择**确定**。

根证书注册完成。

如果注册根证书后在远程用户界面上选择**登录**时显示无法保证安全连接的警告信息，请重新启动 Web 浏览器。Web 浏览器上将不会出现该消息。

»» 注释

- 根据 Android 设备，即使注册正确的根证书后也可能出现警告。

对于 iOS 上的 Mobile Safari

1. 选择远程用户界面上的**下载**。

开始下载根证书，然后显示**安装描述文件**屏幕。

2. 选择**安装**。

显示警告屏幕。

注釋

- 如果设备上已设置密码，可能会要求输入密码。

3. 选择安装。

4. 选择已显示对话框中的安装。

根证书注册完成。

注册打印机根证书至本地计算机以进行 SSL 通讯

如果从计算机打印或使用 Device Management Console 等，在使用 SSL 加密通信将打印机连接到计算机时，需要将打印机的根证书注册(导入)到计算机。

注册证书的步骤因操作环境而有所不同。

重要事项

- 如果在使用 Windows 时通过 IPv6 连接打印机，则需要使用远程用户界面生成服务器证书。
有关详细资料，请参见[生成服务器证书\(自签名证书\)](#)。

■ [对于 Windows 10/Windows 8.1](#)

■ [对于 Windows 7](#)

■ [对于 macOS](#)

操作步骤可能因操作系统版本而有所不同。

对于 Windows 10/Windows 8.1

以下步骤描述了如何在 Windows 10/Windows 8.1 环境下导入根证书。

1. [启动远程用户界面。](#)

2. 选择**为确保通讯安全**。

注释

- 可以从 Status Monitor 下载证书。

1. 打开状态监视器。

打开打印首选项，在主要上选择**启动状态监视器**。

2. 下载证书。

从**远程用户界面菜单**中选择**下载安全证书**。

3. 选择**下载**。

将下载根证书。

4. 显示下载确认屏幕时，选择**打开**。

出现**证书**屏幕。

5. 选择**安装证书**。

出现**证书导入向导**屏幕。

6. 选择**本地计算机**。

1. 在证书导入向导的启动屏幕上选择本地计算机。



2. 选择下一步。

3. 在显示的屏幕上选择是。

出现**证书存储**屏幕。

7. 选择将所有的证书都放入下列存储。

8. 选择受信任根证书颁发机构。

1. 选择**浏览**打开**选择证书存储**屏幕。

2. 从列表中选择**受信任根证书颁发机构**，然后选择**确定**。

3. 选择**证书存储**屏幕上的**下一步**。

9. 选择**完成**。

出现正在完成证书导入向导屏幕时，检查设置并选择**完成**。

对于 Windows 7

以下步骤描述了如何在 Windows 7 环境下导入根证书。

重要事项

- 务必在导入根证书之前创建证书管理单元。

如果导入时没有创建证书管理单元，根证书会注册到本地用户。

创建证书管理单元

1. 启动 Microsoft Management Console。

在开始菜单的搜索程序和文件中输入 **MMC**，然后按 Enter 键。

2. 在显示的屏幕上选择是。

3. 从文件菜单中选择添加/删除管理单元。

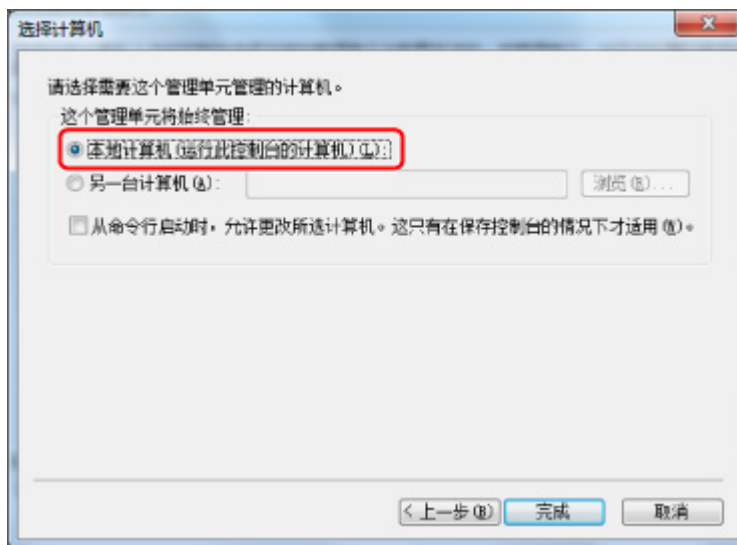
出现添加或删除管理单元屏幕。

4. 添加证书管理单元。

1. 从可用的管理单元列表中选择证书，然后选择添加。

2. 在证书管理单元屏幕上为该管理单元将始终为下列帐户管理证书选择计算机帐户，然后选择下一步。

3. 在选择计算机屏幕上选择本地计算机，然后选择完成。



4. 在添加或删除管理单元屏幕上选择确定。

下载证书

1. [启动远程用户界面。](#)

2. 选择为确保通讯安全。

»» 注释

- 可以从 Status Monitor 下载证书。

1. 打开状态监视器。

打开打印首选项，然后在主要上选择启动状态监视器。

2. 下载证书。

从远程用户界面菜单中选择下载安全证书。

3. 选择下载。

4. 选择保存。

导入证书

1. 打开证书导入向导。

1. 在左侧窗口中，从控制台根目录的证书中打开受信任的根证书。

2. 右键单击证书，然后从所有任务中选择导入。

2. 指定要导入的证书文件。

1. 选择下一步。

2. 在文件名称上指定要导入的证书文件，然后选择下一步。

3. 指定证书存储。

1. 选择将所有的证书都放入下列存储。

2. 为证书存储选择受信任根证书颁发机构。

4. 完成证书导入向导。

1. 选择下一步并检查指定的设置。

2. 选择完成结束向导。

3. 在显示的屏幕中选择确定。

检查已导入的证书

确保导入的证书已经注册到计算机。

1. 显示证书列表。

在 Microsoft Management Console 的左侧窗口中，依次选择**控制台根目录** > **证书(本地计算机)** > **受信任根证书颁发机构**，并选择**证书**显示证书列表。

2. 检查已注册的证书。

确保已导入证书的名称显示在列表中。

»» 注释

- 确保通过创建**当前用户**管理单元可以从**当前用户**中看到已注册的证书。

»» 注释

- 退出 Microsoft Management Console 时，会出现一条信息，询问是否保存控制台设置。如果后面继续应用相同的设置，选择**是**进行保存。

对于 macOS

以下步骤描述了如何在 macOS 环境下导入根证书。

1. [启动远程用户界面。](#)

2. 选择**为确保通讯安全。**

3. 选择**下载。**


将下载根证书。

4. 打开下载的证书文件。

完成下载步骤后，屏幕右侧会弹出已下载项目。

双击列表上的已下载证书会启动 **Keychain 访问**，然后出现**添加证书**屏幕。

»» 注释

- 如果没有弹出已下载项目，选择右侧的**显示下载**  按钮。
- 选择下载列表右侧的放大镜图标会显示包含证书的文件夹。

5. 选择**添加。**

为**密钥链**上的证书选择目标位置。

选择**添加**会显示证书信息。

»» 注释

- 可以通过选择与 **Keychain 访问** 相同的证书来添加证书。选择**查看证书**后，勾选要添加的证书名称。

6. 检查证书。

确保**详细信息**中显示的证书指纹与打印机的根证书指纹一致。

从打印机的操作面板按以下顺序进行操作时，打印机的指纹将显示在**根证书指纹(SHA-1)**列或**根证书指纹(SHA-256)**列中。

打印机信息 > 系统信息

7. 选择总是信任。

如果证书详细信息的指纹与打印机的指纹相匹配，从菜单显示证书信息，或通过双击证书显示证书信息，然后在**信任**上选择**总是信任**。

已注册根证书。

注釋

- 如果为打印机指定了密码，则可能要求输入密码。

生成服务器证书(自签名证书)

通过 IPv6 网络使用 SSL 连接时，需要使用打印机生成一个 IPv6 服务器证书。

从远程用户界面生成服务器证书。

请按照以下步骤操作。

步骤 1 [检查打印机的 IP 地址](#)

步骤 2 [生成服务器证书](#)

步骤 3 [检查生成的服务器证书](#)

重要事项

- 如果生成 IPv6 服务器证书，则在使用远程用户界面时可能会出现警告消息。
要重置 IPv6 服务器证书，请按以下顺序从远程用户界面操作。
安全 > SSL/TLS 设置 > 删除密钥和证书 > OK

检查打印机的 IP 地址

1. 确认打印机是否已开启。

■ [电源供应](#)

2. 显示主页屏幕。

如果未显示主页屏幕，请选择**主页**按钮。

3. 使用▲▼按钮选择 **LAN 设置**，然后按 **OK** 按钮。

■ [LCD 屏幕和操作面板](#)

4. 使用▲▼按钮选择启用的 LAN，然后按 **OK** 按钮。

已禁用的 LAN 图标将显示对角线。

5. 使用▲▼按钮检查 **IPv6 本地链路地址**上的值。

打开远程用户界面并生成服务器证书时，记下 **IPv6 本地链路地址**的值以供参考。

生成服务器证书

1. 在智能手机、平板电脑或计算机上打开 Web 浏览器，然后输入打印机 IP 地址。

在 Web 浏览器的 URL 字段中输入如下内容。

http://[XXXX::XXXX:XXXX:XXXX:XXXX]

在“XXXX::XXXX:XXXX:XXXX:XXXX”中，输入“3-2-16 Link Local Address”的缩写值。
出现远程用户界面的首页屏幕。

2. 选择远程用户界面上的**登录**。

▶▶▶ 注释

- 如果指定管理员密码，请输入密码。

3. 选择**安全**。

4. 选择**SSL/TLS 设置**。

5. 选择**生成密钥和证书**。

6. 选择**生成自签名证书**。

出现**生成自签名证书**屏幕。

指定每个设置项目。

- **签名算法**

选择 **SHA256**。

- **公钥长度(位)**

选择 **2048 位**。

- **指定到期日。**

在**生效日期**中输入生成服务器证书的日期。

在**失效日期**中输入服务器证书到期的日期。

- **输入公用名。**

在**公用名**中输入在“3-2-16 Link Local Address”中查看并记录的值。

▶▶▶ 注释

- 输入公用名时，在打印机的 IP 地址的两端添加[]。
- 请勿在公用名中使用逗号或空格。

7. 选择**下一步**。

无需在**国家/地区、省/直辖市/自治区、位置、组织或组织单位或使用者可选名称**上输入任何内容。

8. 选择**生成**。

开始生成服务器证书。

服务器证书生成后，会出现“**已生成自签名证书。**”。

9. 选择**重新启动 LAN**。

将重新启动 LAN。

重新启动 LAN 后，远程用户界面上会出现**打印机状态**。

注釋

- 如果重新启动 LAN 后无法访问远程用户界面，请重新加载 Web 浏览器。

检查生成的服务器证书

1. 选择远程用户界面上的**安全**。

2. 选择 **SSL/TLS 设置**。

出现 **SSL/TLS 设置** 屏幕。

3. 选择 **检查密钥和证书**。

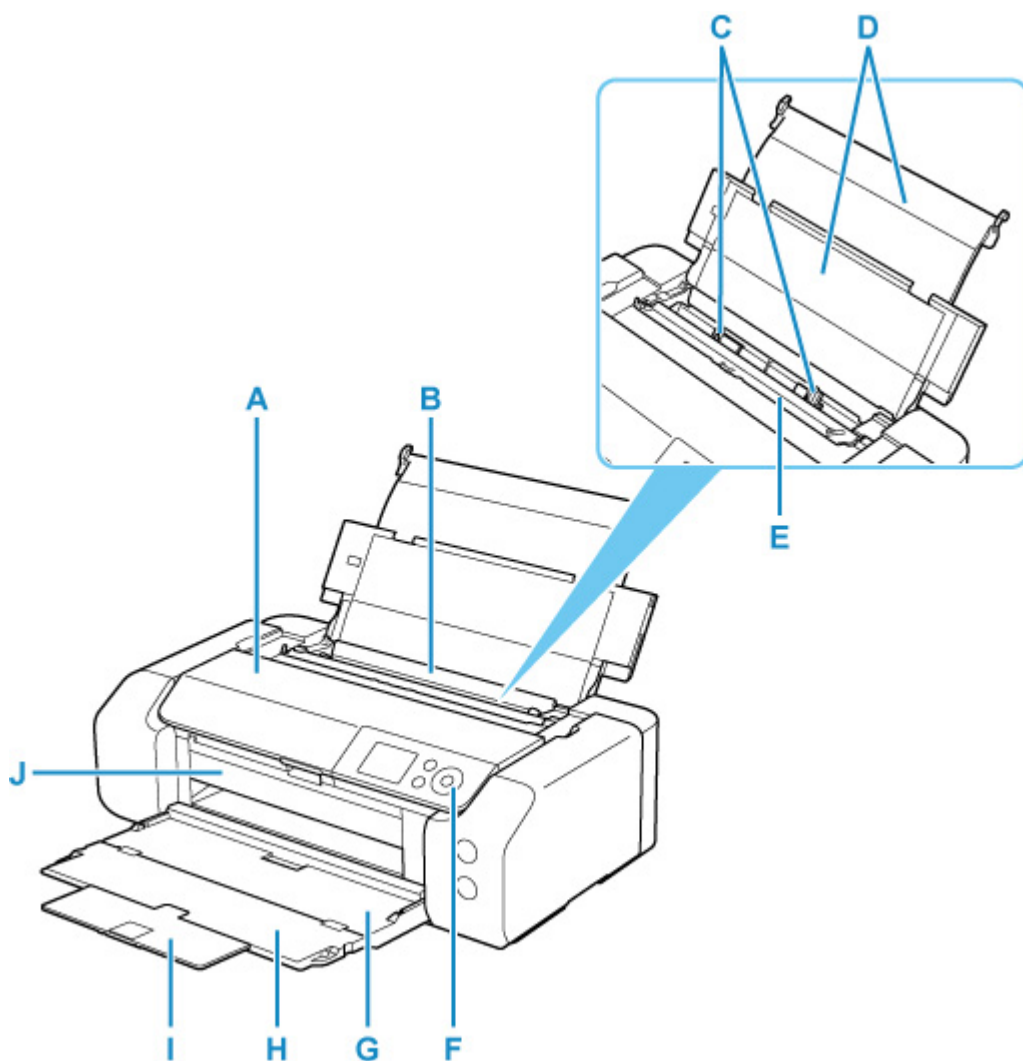
出现 **检查密钥和证书** 屏幕。

确保根证书的颁发者名称在**颁发者**上显示，输入的值在**使用者的公用名**上显示。

各部分的说明

- ▶ 前视图
- ▶ 后视图
- ▶ 内部视图
- ▶ 电源供应

前视图



A: 上盖

打开以更换墨水盒或取出打印机内部的卡纸。

B: 上端进纸盘

可以同时装入两张或更多相同尺寸和类型的纸张，并且每次自动送入一张。

■ [在上端进纸盘中装入纸张](#)

■ [在上端进纸盘中装入信封](#)

C: 纸张导片

对齐纸叠的两侧。

D: 靠纸架

打开以在上端进纸盘中装入纸张。

E: 进纸插槽盖板

防止任何物品落入进纸插槽。

打开可以移动纸张导片，打印前请将其关闭。

F: 操作面板

用以更改打印机设置或操作打印机。

■ 操作面板

G: 出纸托盘

输出已打印的纸张。打印前将其打开。

H: 出纸托盘扩展架

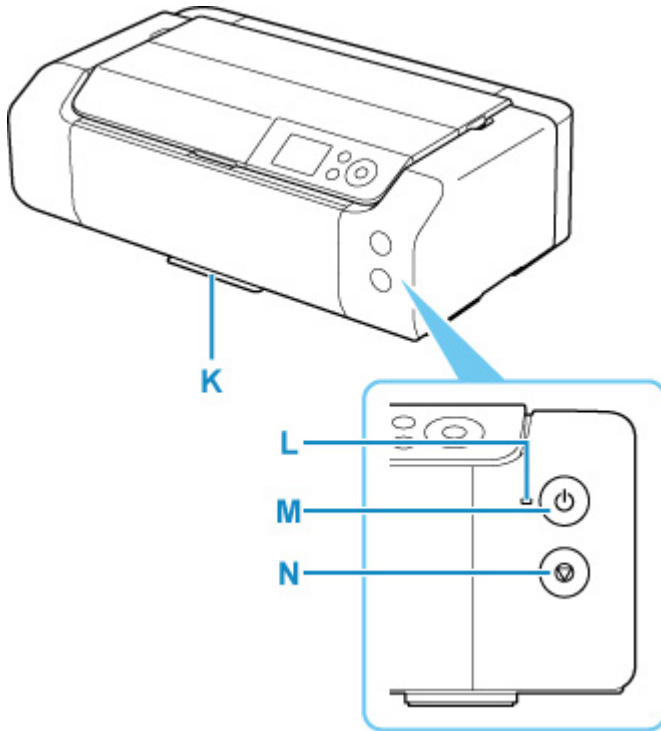
打开以承托输出纸张。

I: 出纸支架

拉出以承托弹出的纸张。

J: 多用途托盘导引器

将多用途托盘放在此处。



K: 多用途托盘存储仓

可在此处存放打印机附带的多用途托盘。

L: 电源指示灯

电源开启时，闪烁后亮起。

M: 电源按钮

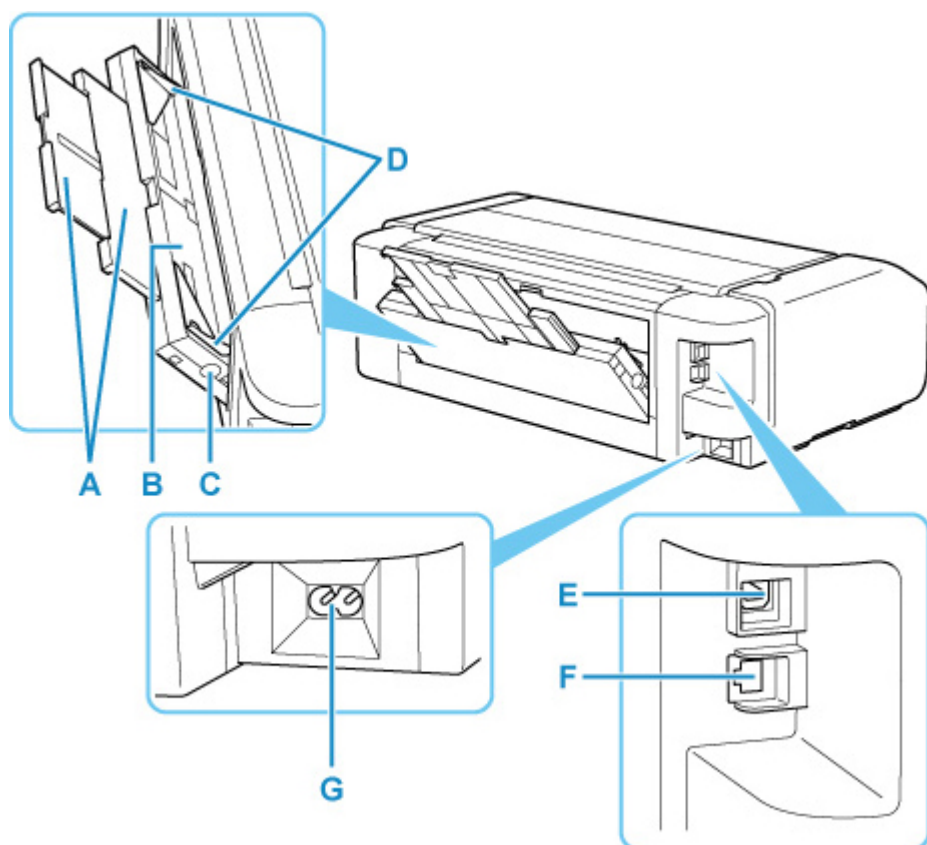
打开或关闭电源。

■ 开启和关闭打印机

N: 停止按钮

取消进行中的打印作业。

后视图



A: 靠纸架

拉出以在手动进纸托盘中装入纸张。

B: 手动进纸托盘

一次装入一张 20 x 25 厘米(8" x 10")或更大尺寸的纸张或厚纸。

■ [在手动进纸托盘中装入纸张](#)

C: 卡纸清除按钮

取出手动进纸托盘中的卡纸时按此按钮。

D: 纸张导片

对齐纸叠的两侧。

E: USB 端口

插入 USB 电缆线以连接打印机和计算机。

F: 有线 LAN 连接器

插入将打印机连接到 LAN 的 LAN 电缆线。

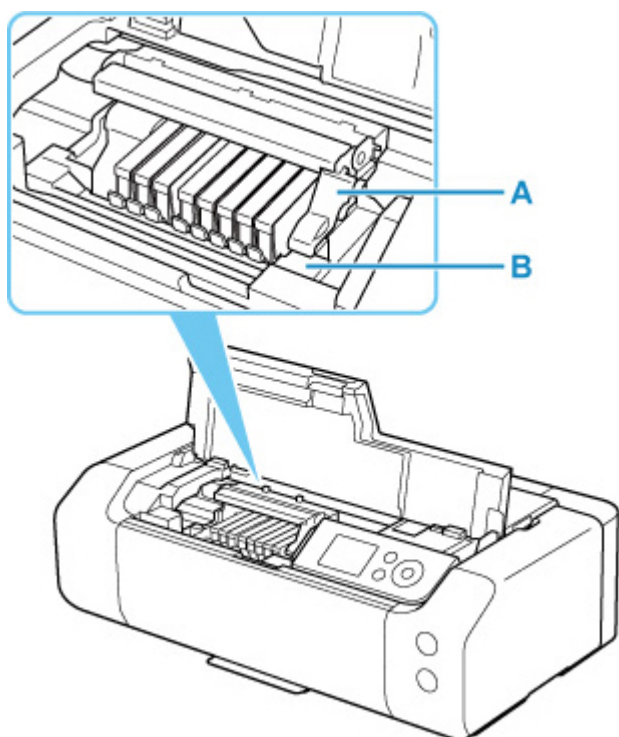
G: 电源线连接器

插入附带的电源线。

▶▶▶ 重要事项

- 请勿触摸金属外壳。
- 打印机正在通过计算机打印时，请勿插入或拔出 USB 电缆线或 LAN 电缆线。否则可能会造成故障。

内部视图



A: 打印头锁定杆

将打印头锁定到位。

B: 打印头固定器

请在此安装打印头。

重要事项

- 安装打印头后，请勿升起打印头锁定杆。

注释

- 有关更换墨水盒的详细资料，请参见[更换墨水盒](#)。

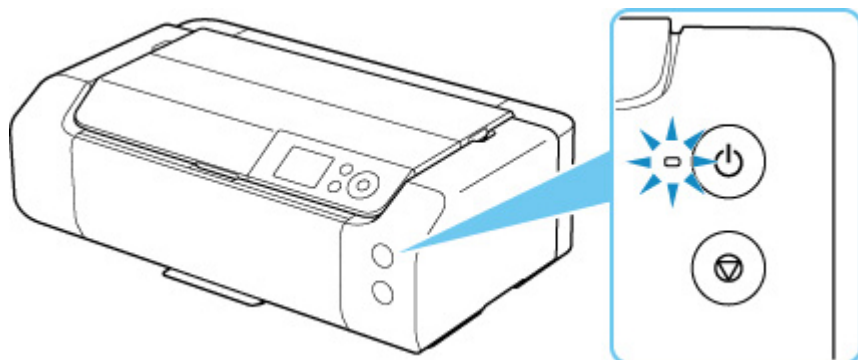
电源供应

- ▶ 确认电源已开启
- ▶ 开启和关闭打印机
- ▶ 检查电源插头/电源线
- ▶ 拔出打印机插头

确认电源已开启

打印机开启时，**电源**指示灯亮起。

即使 LCD 屏幕已关闭，如果**电源**指示灯亮起，则打印机仍处于开启状态。



»» 注释

- 开启打印机后，打印机可能需要一段时间才能立即开始打印。
- 如果约 3 分钟未操作打印机，则 LCD 将关闭。要恢复显示，请按任意按钮或执行打印操作。无法更改 LCD 屏幕关闭前的等待时间。

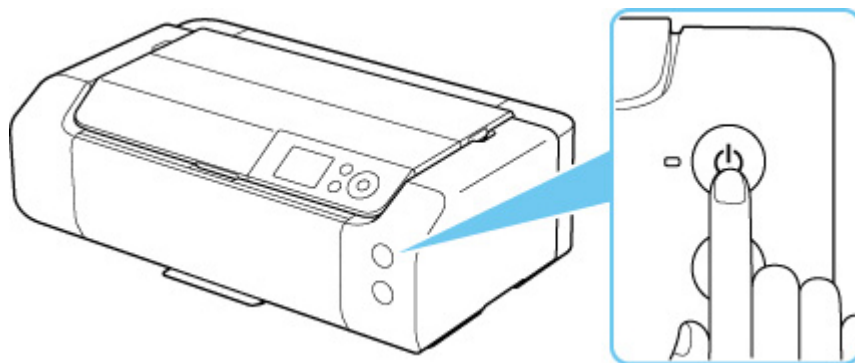
开启和关闭打印机

开启打印机

1. 按**电源**按钮开启打印机。

电源指示灯闪烁，然后持续亮起。

■ [确认电源已开启](#)



▶▶▶ 注释

- 开启打印机后，打印机可能需要一段时间才能立即开始打印。
- 如果 LCD 屏幕上显示错误信息，请参见[出现错误时](#)。
- 可以将打印机设置为在从通过 USB 电缆线或网络连接的计算机执行打印操作时自动开启。此功能默认设置为关闭。

从打印机

■ [节能设置](#)

从计算机

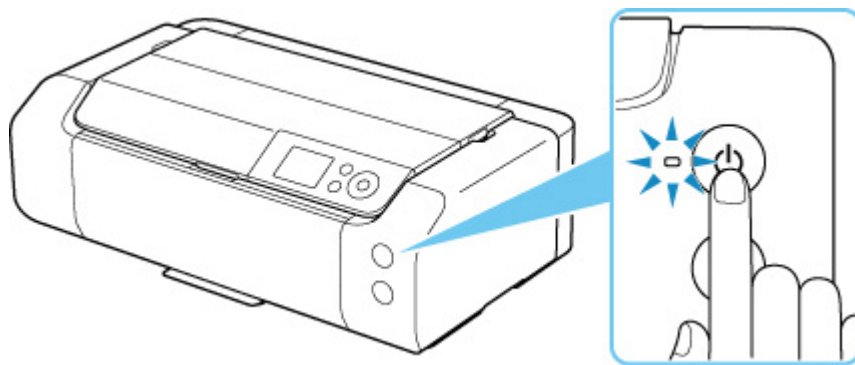
■ [管理打印机电源](#) (Windows)

■ [管理打印机电源](#) (macOS)

关闭打印机

1. 按**电源**按钮关闭打印机。

电源指示灯停止闪烁时，打印机关闭。



重要事项

- 关闭打印机后[拔出电源线](#)时，请务必确认[电源](#)指示灯是熄灭的。

注释

- 可以设置打印机在一定间隔时间中未执行操作或无打印作业发送至打印机时自动关闭。此功能默认设置为开启。

从打印机

- [节能设置](#)

从计算机

- [管理打印机电源](#) (Windows)
- [管理打印机电源](#) (macOS)

检查电源插头/电源线

每月拔出电源线一次以确认电源插头/电源线没有任何下列异常。

- 电源插头/电源线过热。
- 电源插头/电源线生锈。
- 电源插头/电源线弯曲。
- 电源插头/电源线磨损。
- 电源插头/电源线破裂。

注意

- 如果发现上述电源插头/电源线有任何异常，请[拔出电源线](#)并联系最近的 Canon 服务中心。在上述任一异常情况下使用打印机可能造成火灾或触电。
-

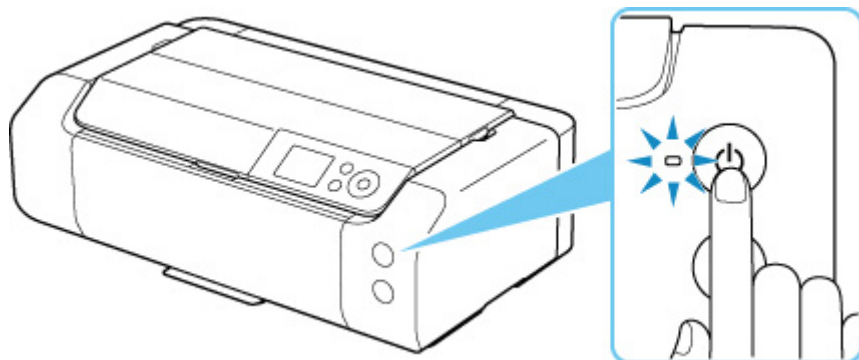
拔出打印机插头

要拔出电源线，请按照以下步骤操作。

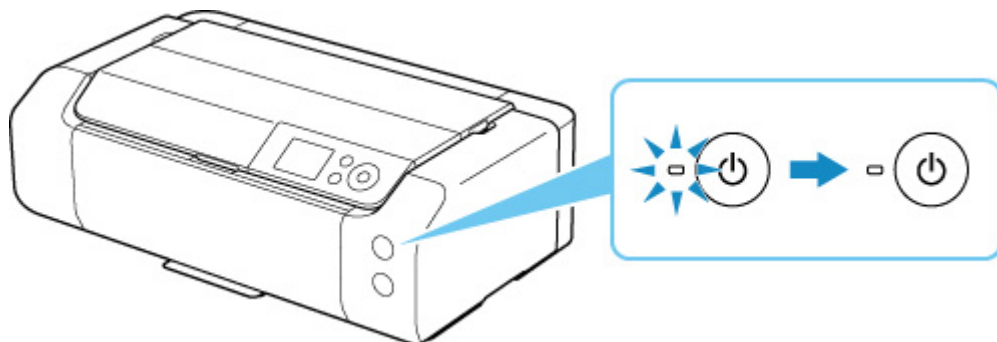
重要事项

- 拔出电源线时，按**电源**按钮，然后确认**电源**指示灯已熄灭。在**电源**指示灯亮起或闪烁时拔出电源线，可能会造成打印头干涸或堵塞，打印质量可能会降低。

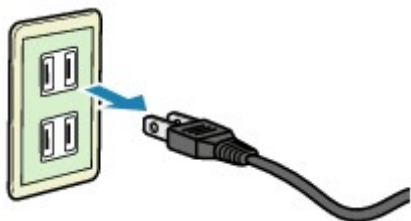
1. 按**电源**按钮关闭打印机。



2. 确认**电源**指示灯已熄灭。



3. 拔出电源线。



根据使用本机所在的国家或地区的不同，电源线的规格也不同。

使用纸张、多用途托盘等

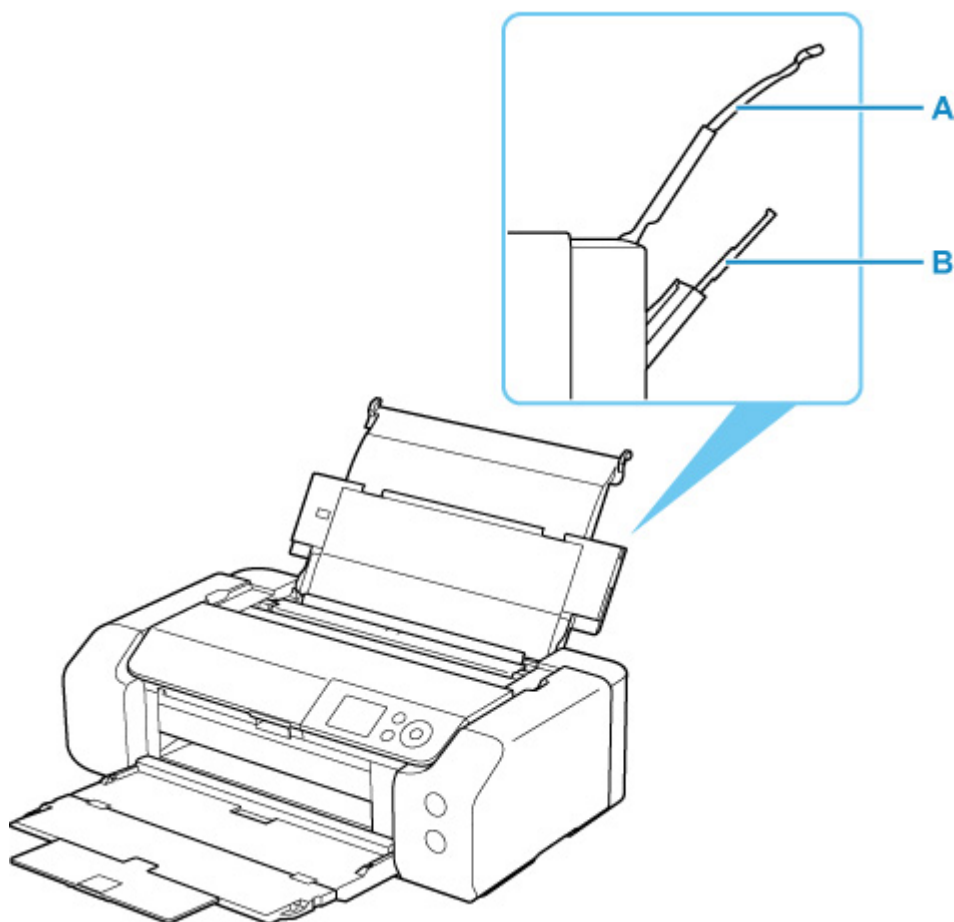
- ▶ 装入纸张
- ▶ 放置多用途托盘

装入纸张

- ▶ 纸张来源
- ▶ 在上端进纸盘中装入纸张
- ▶ 在手动进纸托盘中装入纸张
- ▶ 在上端进纸盘中装入信封
- ▶ 注册纸张信息

纸张来源

打印机有两个用于送纸的纸张来源：上端进纸盘(A)和手动进纸托盘(B)。



上端进纸盘

装入 10 x 15 厘米(4" x 6")至 A3+尺寸的纸张。

可以同时装入两张或更多相同尺寸和类型的纸张，并且每次自动送入一张。

在上端进纸盘中装入普通纸。

手动进纸托盘

装入 20 x 25 厘米(8" x 10")至 A3+尺寸的纸张。

一次装入一张纸。

在手动进纸托盘中装入厚纸，如 Art 纸张。

■ [支持的介质类型](#)

■ [纸张装入限量](#)

»» 注释

- 打印时，选择正确的页尺寸、介质类型和纸张来源。如果选择错误的页尺寸或介质类型，打印机可能无法打印出正确的打印质量。

有关如何将纸张装入各纸张来源的详细资料，请参见以下部分。

■ [在上端进纸盘中装入纸张](#)

■ [在手动进纸托盘中装入纸张](#)

■ [在上端进纸盘中装入信封](#)

在上端进纸盘中装入纸张

可以在上端进纸盘中装入多张类型和尺寸相同的纸张。

重要事项

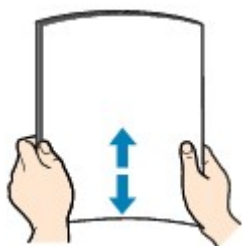
- 如果将普通纸剪切为 13 x 18 厘米(5" x 7")或更小尺寸进行试打印，可能会造成卡纸。

注释

- 建议使用 Canon 原装照片纸打印照片。有关 Canon 原装纸张的详细资料，请参见[支持的介质类型](#)。
- 可以使用普通的复印纸或 Canon Red Label Superior WOP111/Canon Océ Office Colour Paper SAT213。
有关本打印机可以使用的页尺寸和纸张重量，请参见[支持的介质类型](#)。
- 在适合所使用纸张的环境(温度和湿度)中打印。有关 Canon 原装纸张的温度和湿度状况，请参阅纸张的包装或附带的说明。

1. 准备纸张。

对齐纸张的边缘。如果纸张卷曲，将其平整。



注释

- 装入前请先将纸张的边缘完全对齐。装入纸张时没有对齐纸张边缘可能会造成卡纸。
- 如果纸张卷曲，请持着卷曲的角并轻轻地向反方向弯曲纸张，直至纸张完全平整。
有关如何平整卷曲纸张的详细资料，请参见[纸张出现污迹/打印面有划痕](#)中的 **检查 3**。
- 使用亚高光泽照片纸 SG-201 时，即使纸张卷曲，也请按原样一次装入一张纸。如果卷曲纸张以平整纸张，可能造成纸张表面出现裂纹并降低打印质量。

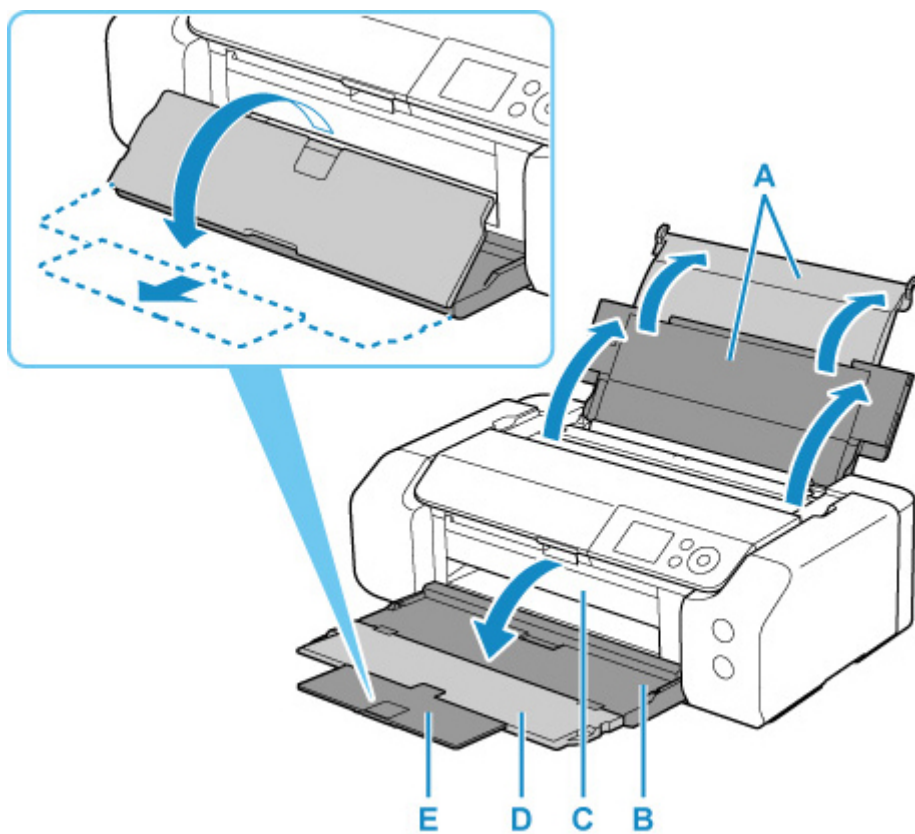
2. 打开上端进纸盘的靠纸架(A)。

3. 轻轻打开出纸托盘(B)。

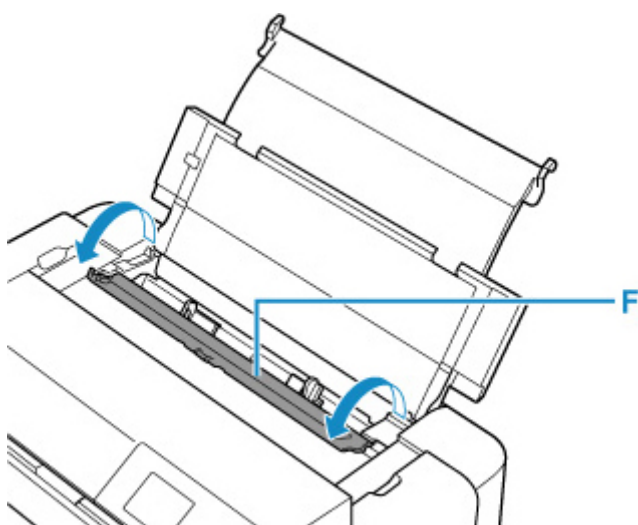
重要事项

- 如果多用途托盘导引器(C)已打开，请务必将其关闭。

4. 打开出纸托盘扩展架(D)，然后拉出出纸支架(E)。



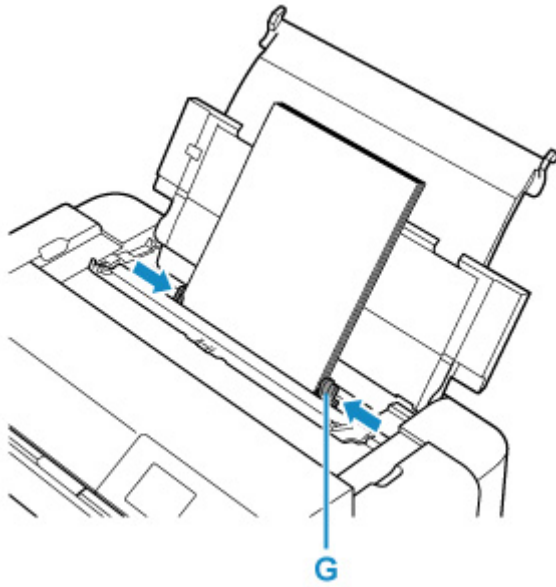
5. 打开进纸插槽盖板(F)。



6. 移动右纸张导片(G)打开两个纸张导片，然后将纸张装入上端进纸盘的中央，并使打印面朝向自己。

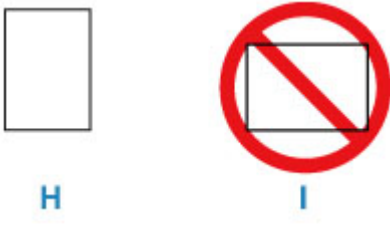
7. 移动右纸张导片(G)，将两个纸张导片与纸叠的两边对齐。

请勿过于用力移动纸张导片以紧靠纸张。否则，纸张可能无法正确地送入。



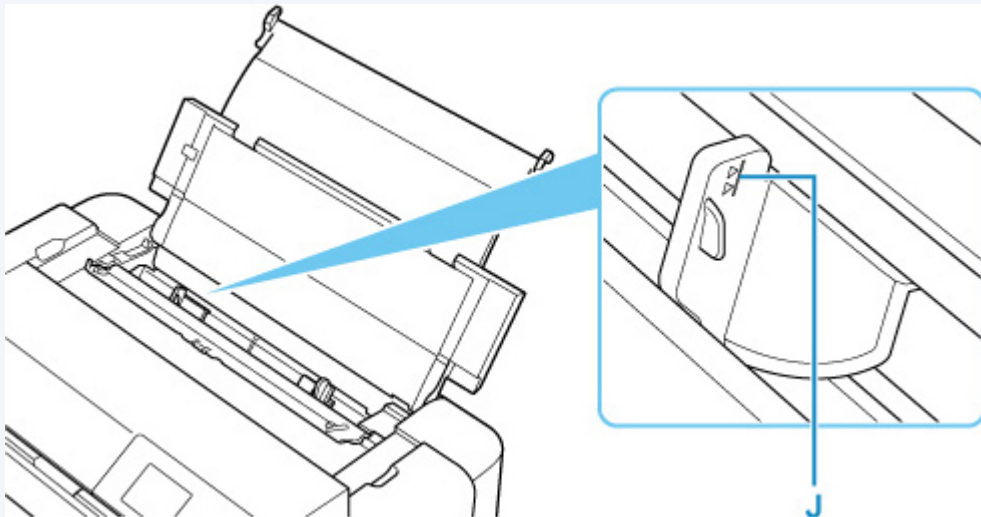
重要事项

- 请务必纵向(H)装入纸张。 横向(I)装入纸张会造成卡纸。



注释

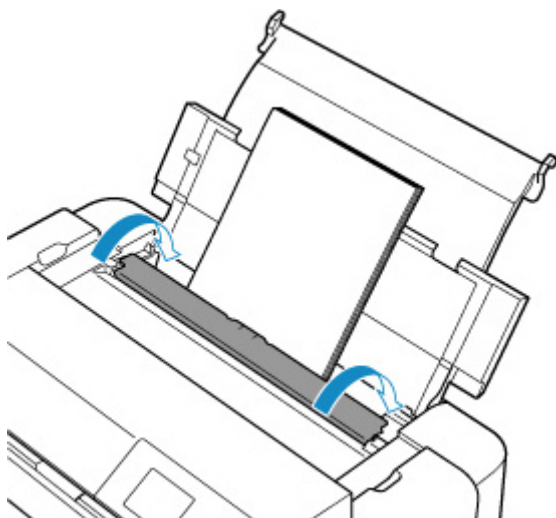
- 请勿使装入的纸张超出装入限量标记(J)。



- 装入较长的纸张[长度最大为 990.6 毫米(39.00 英寸)的纸张]时, 由于纸张的重量, 前端可能会翘起并导致打印结果有所偏移。 托住从托盘伸出的部分或采用其他方法, 防止纸张的前边缘抬起。

8. 轻轻关闭进纸插槽盖板。

LCD 屏幕上显示上端进纸盘的纸张信息注册屏幕。



9. 在页尺寸和类型中选择装入上端进纸盘的纸张尺寸和类型，选择注册，然后按 OK 按钮。



注 释

- 存在多种类型的纸张，如表面覆有特殊涂膜的用于打印最佳质量照片的纸张，以及适合打印文档的纸张。每一种介质类型都有特定的预置设置(如何使用墨水、如何喷出墨水或到喷嘴的距离等)，可以在该类型介质上打印出最佳图像质量。错误的纸张设置可能造成打印颜色质量欠佳，或造成打印面出现划痕。如果发现模糊不清或颜色不均匀，请提高打印质量设置并再次尝试打印。
- 为防止错误打印，本打印机具备检测功能，可检测装入上端进纸盘的纸张设置是否与纸张设置相匹配。打印前，根据的纸张设置进行打印设置。启用此功能时，如果这些设置不匹配，会显示错误信息以防止错误打印。显示此错误信息时，检查并修正纸张设置。
- 要在长纸[长度最大为 990.6 毫米(39.00 英寸)的纸张]上打印，请用手托住输出的纸张或在纸张不会掉落的位置使用打印机。如果纸张掉落，打印面可能会变脏或损坏。如果用手托住纸张，打印时请不要强行拉扯纸张。

在手动进纸托盘中装入纸张

可在手动进纸托盘中一次装入一张 20 x 25 厘米(8" x 10")或更大尺寸的纸张。

»» 注释

- 建议使用 Canon 原装照片纸打印照片。有关 Canon 原装纸张的详细资料，请参见[支持的介质类型](#)。
- 在适合所使用纸张的环境(温度和湿度)中打印。有关 Canon 原装纸张的温度和湿度状况，请参阅纸张的包装或附带的说明。
- 手动进纸托盘中不能装入普通纸。在普通纸上打印时，将其装入上端进纸盘。

1. 准备纸张。

如果纸张卷曲，将其平整。

»» 注释

- 如果纸张卷曲，请持着卷曲的角并轻轻地向反方向弯曲纸张，直至纸张完全平整。
有关如何平整卷曲纸张的详细资料，请参见[纸张出现污迹/打印面有划痕](#)中的 **检查 3**。
- 使用亚高光泽照片纸 SG-201 时，即使纸张卷曲，也请按原样一次装入一张纸。如果卷曲纸张以平整纸张，可能造成纸张表面出现裂纹并降低打印质量。

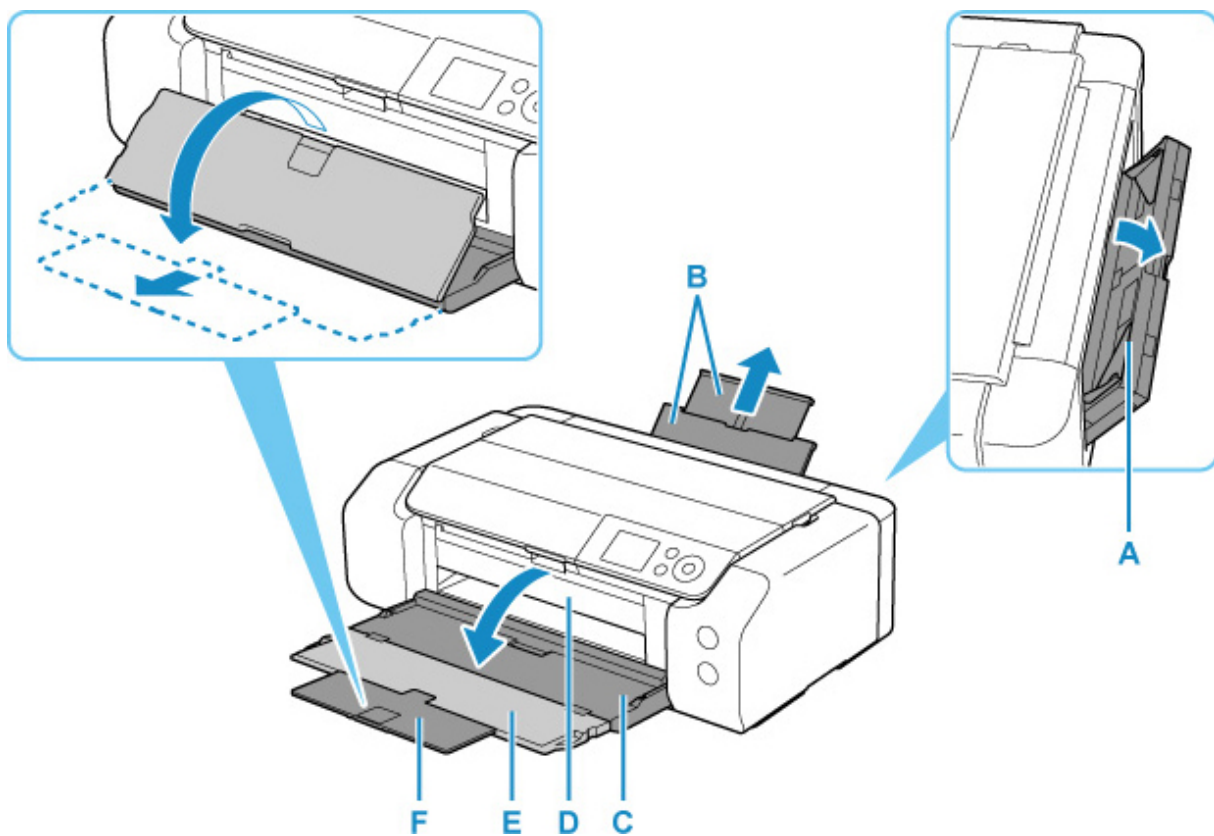
2. 打开手动进纸托盘(A)，然后拉出靠纸架(B)。

3. 轻轻打开出纸托盘(C)。

»» 重要事项

- 如果多用途托盘导引器(D)已打开，请务必将其关闭。

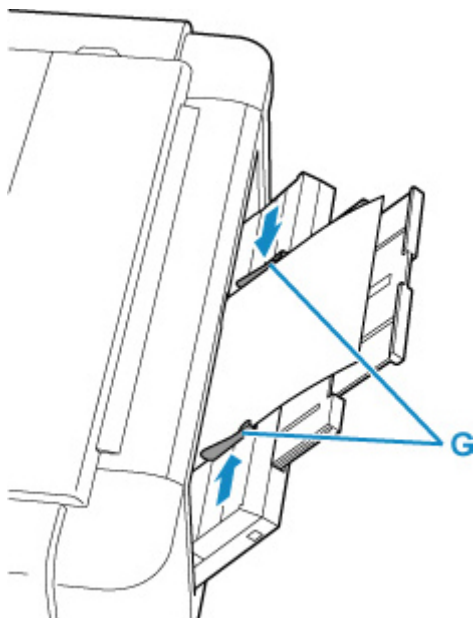
4. 打开出纸托盘扩展架(E)，然后拉出出纸支架(F)。



5. 移动纸张导片(G)以将其打开，并在手动进纸托盘的中心以打印面朝向自己装入一张纸。

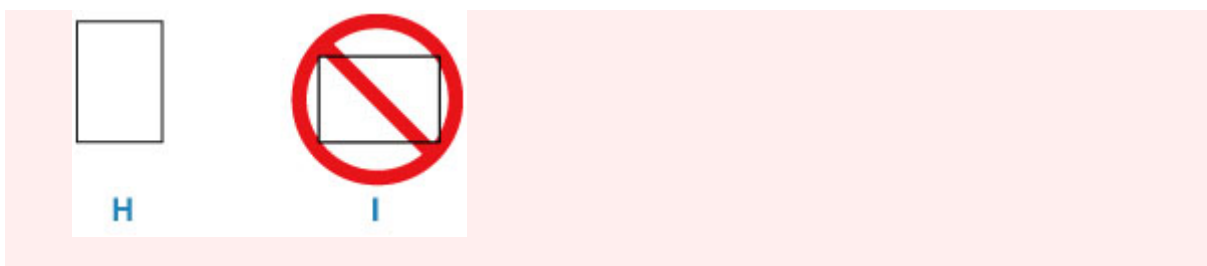
6. 移动纸张导片(G)使其与纸叠两侧对齐。

请勿过于用力移动纸张导片以紧靠纸张。否则，纸张可能无法正确地送入。



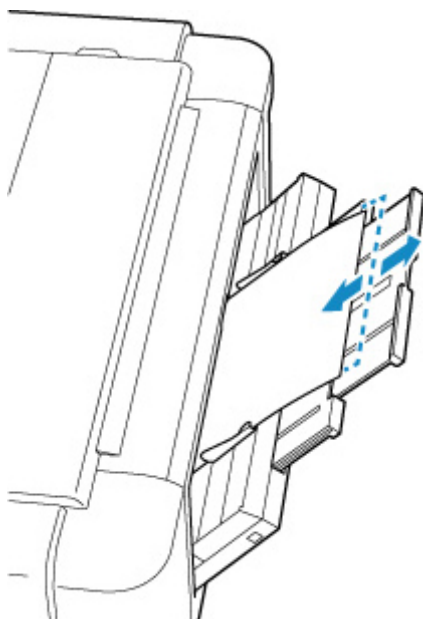
重要事项

- 请务必纵向(H)装入纸张。横向(I)装入纸张会造成卡纸。



7. 检查纸张是否已正确放置到手动进纸托盘中。

轻轻地上下抖动纸张，确保纸张稳固地靠着手动进纸托盘的底部和纸张导片。



8. 在页尺寸和类型中选择装入手动进纸托盘的纸张的尺寸和类型，选择注册，然后按 OK 按钮。



»» 注释

- 要从手动进纸托盘继续打印，请等待至打印结束，然后装入下一张纸。
- 存在多种类型的纸张，如表面覆有特殊涂膜的用于打印最佳质量照片的纸张，以及适合打印文档的纸张。每一种介质类型都有特定的预置设置(如何使用墨水、如何喷出墨水或到喷嘴的距离等)，可以在该类型介质上打印出最佳图像质量。错误的纸张设置可能造成打印颜色质量欠佳，或造成打印面出现划痕。如果发现模糊不清或颜色不均匀，请提高打印质量设置并再次尝试打印。

- 为防止错误打印，本打印机具有检测功能，可检测装入手动进纸托盘的纸张设置是否与打印机纸张设置相匹配。打印前，根据的纸张设置进行打印设置。启用此功能时，如果这些设置不匹配，会显示错误信息以防止错误打印。显示此错误信息时，检查并修正纸张设置。
 - 装入较长的纸张[长度最大为 990.6 毫米(39.00 英寸)的纸张]时，由于纸张的重量，前端可能会翘起并导致打印结果有所偏移。托住从托盘伸出的部分或采用其他方法，防止纸张的前边缘抬起。
- 在长纸上打印时，请用手托住输出的纸张或在纸张不会掉落的位置使用打印机。如果纸张掉落，打印面可能会变脏或损坏。如果用手托住纸张，打印时请不要强行拉扯纸张。

在上端进纸盘中装入信封

可以在上端进纸盘中装入信封 DL 和信封 Com 10。

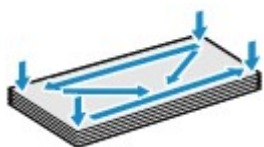
通过正确指定打印机驱动程序中的设置，会根据信封的方向自动旋转并打印地址。

重要事项

- 请勿使用以下信封。可能导致打印机内部卡纸或造成打印机故障。
 - 有凹凸花纹或表面经过处理的信封
 - 双盖舌的信封
 - 涂胶盖舌已潮湿并具有粘性的信封

1. 准备信封。

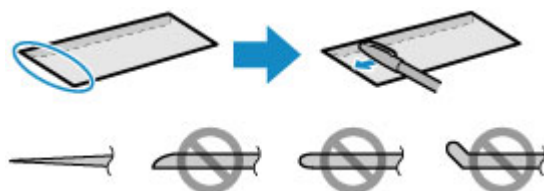
- 按下信封的四个角和边缘以平整信封。



- 如果信封卷曲，请持着对角并轻轻地向反方向弯曲信封。



- 如果信封盖舌的角折叠，请将其平整。
- 请用笔以信封插入方向压平导入边使折痕平整清晰。



上图为信封导入边的侧视图。

重要事项

- 如果信封不平整或边缘未对齐，可能会导致信封卡在打印机中。确保卷曲或翘起量不超过 3 毫米 (0.12 英寸)。

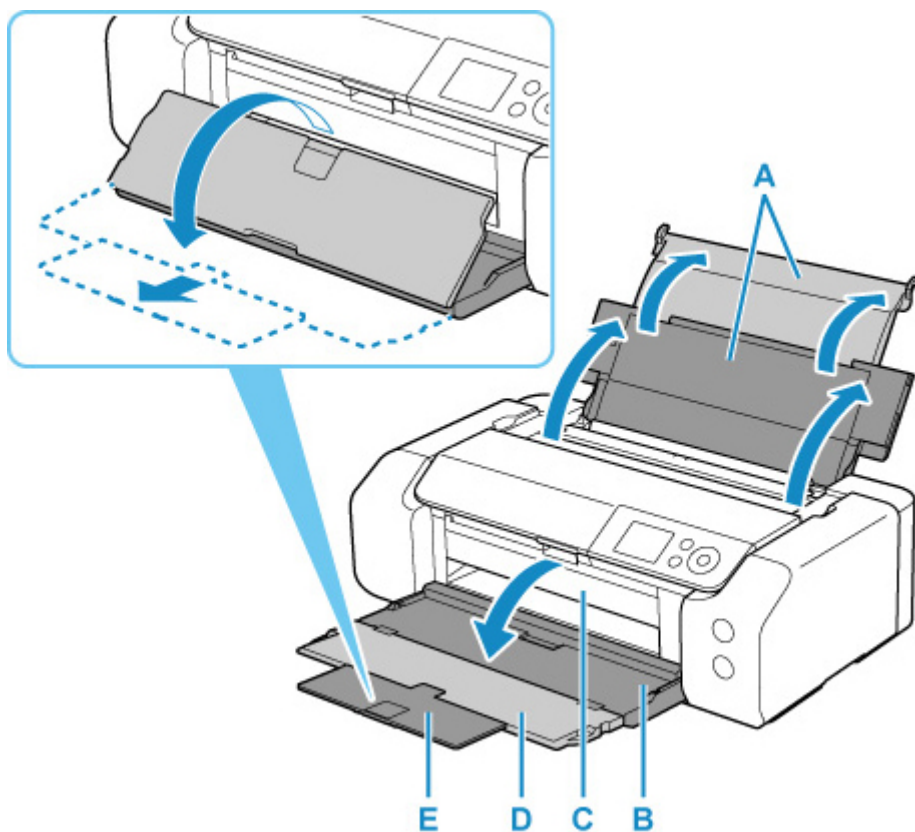
2. 打开上端进纸盘的靠纸架(A)。

3. 轻轻打开出纸托盘(B)。

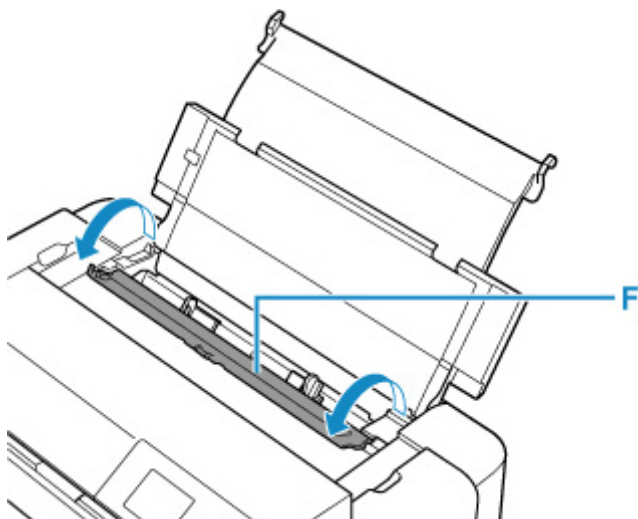
重要事项

- 如果多用途托盘导引器(C)已打开，请务必将其关闭。

4. 打开出纸托盘扩展架(D), 然后拉出出纸支架(E)。



5. 打开进纸插槽盖板(F)。

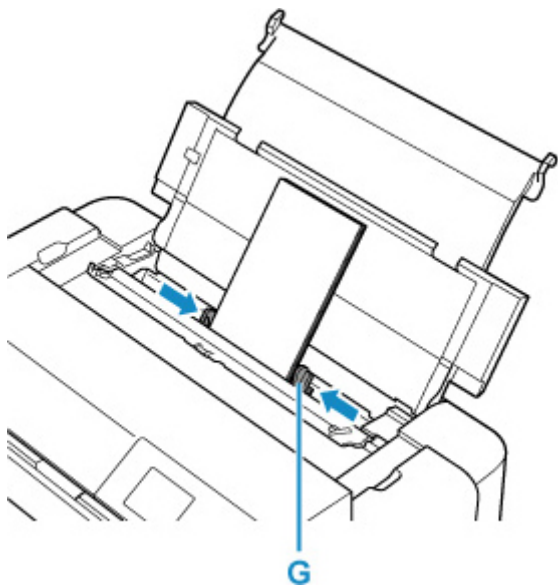


6. 移动右侧纸张导片(G)以拉开两个纸张导片, 然后将信封装入上端进纸盘的中央, 打印面朝向自己。

每次最多可以装入 10 个信封。

7. 移动右纸张导片(G), 将两个纸张导片与纸叠的两边对齐。

请勿过于用力移动纸张导片以紧靠信封。信封可能无法正确送入。

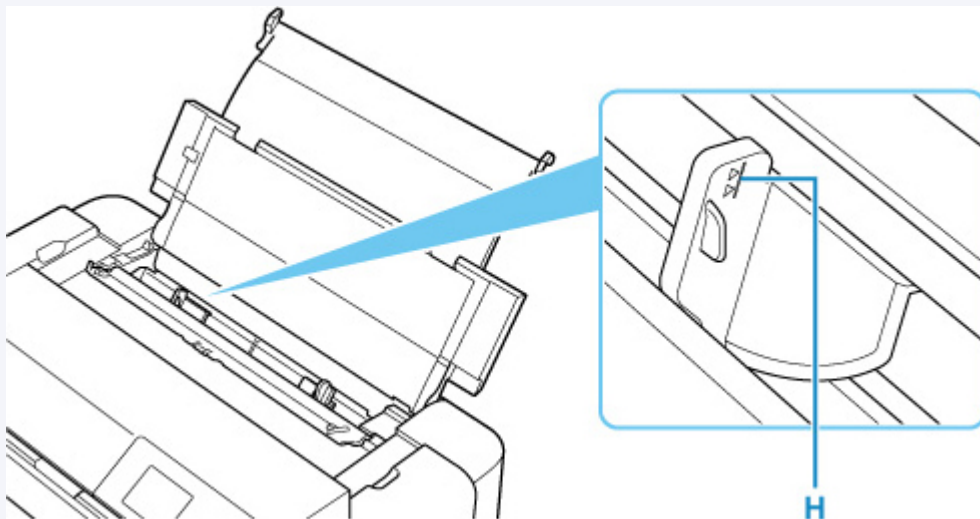


折叠信封的盖舌，将信封的地址面朝上纵向装入。



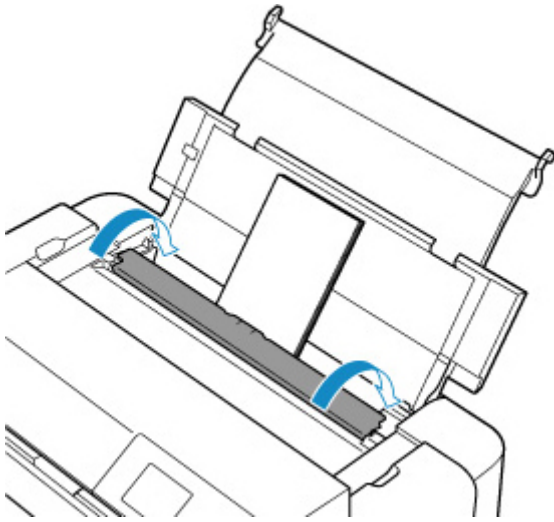
►► 注释

- 装入信封时，不要高于装入限量标记(H)。

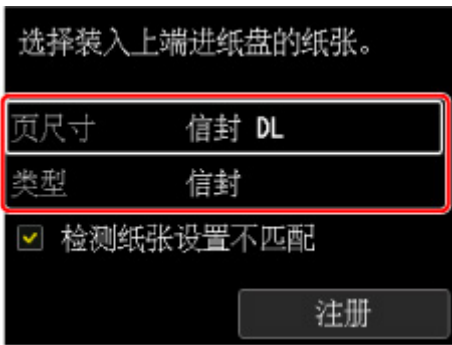


8. 轻轻关闭进纸插槽盖板。

LCD 屏幕上显示上端进纸盘的纸张信息注册屏幕。



9. 在**页尺寸**和**类型**设置里选择上端进纸盘中装入的信封尺寸和类型，选择**注册**，然后按 **OK** 按钮。



»» 注释

- 为防止错误打印，本打印机具备检测功能，可检测装入上端进纸盘的纸张设置是否与纸张设置相匹配。打印前，根据的纸张设置进行打印设置。启用此功能时，如果这些设置不匹配，会显示错误信息以防止错误打印。显示此错误信息时，检查并修正纸张设置。

注册纸张信息

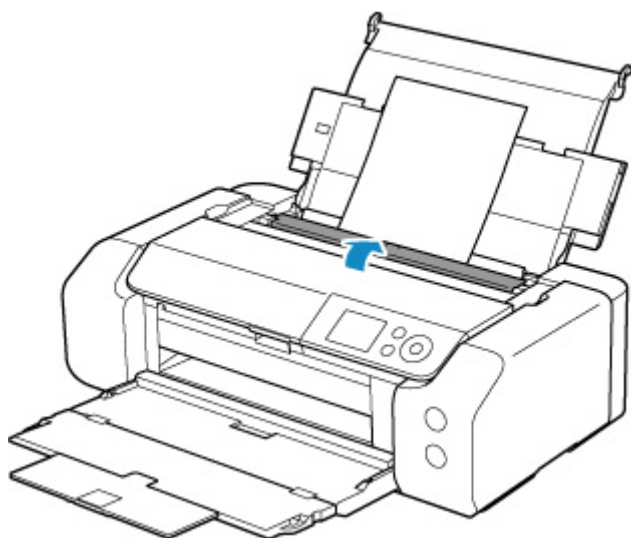
通过注册装入上端进纸盘或手动进纸托盘的纸张尺寸和介质类型，在装入纸张的尺寸或介质类型与打印机的纸张设置不同时，可以在开始打印前显示信息，从而防止打印机误打印。

注释

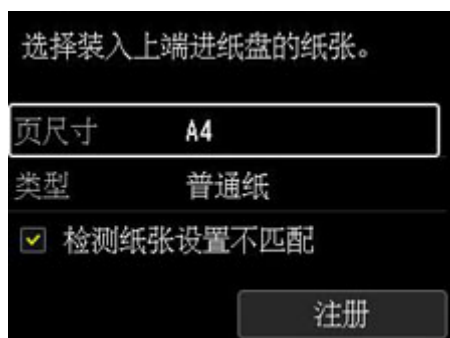
- 根据所选打印方式，显示防止误打印信息的默认设置会有不同。

- [显示防止误打印的信息的默认设置](#)

将纸张装入上端进纸盘并关闭进纸插槽盖板或将纸张装入手动进纸托盘时：



显示注册纸张信息的屏幕。



如果装入的纸张与打印机 LCD 屏幕上显示的纸张信息匹配，请使用▲▼按钮选择**注册**，然后按打印机的**OK**按钮。

如果不同，请选择**页尺寸**或**类型**，并按打印机的**OK**按钮。然后注册正确的纸张信息。

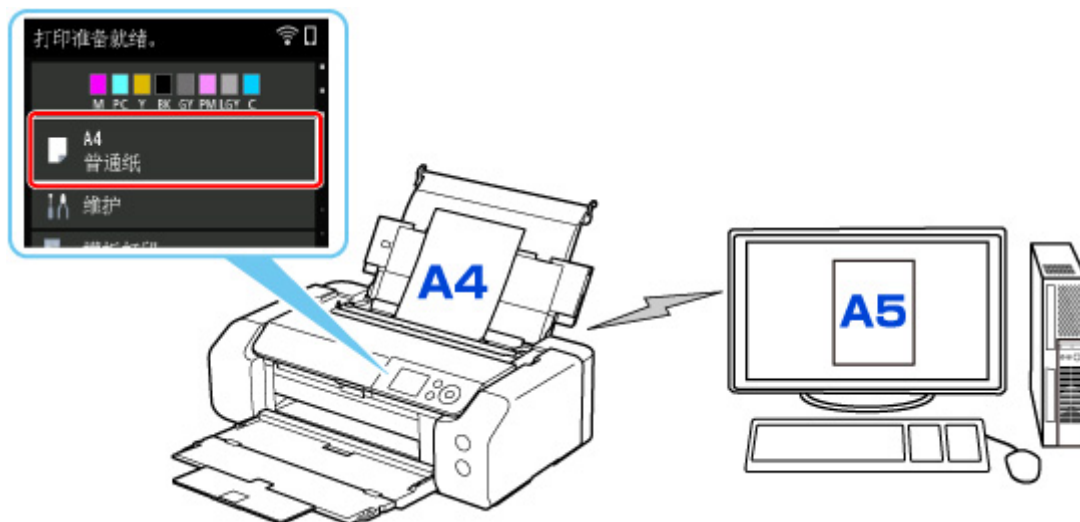
重要事项

- 有关打印机驱动程序中指定的纸张设置和打印机中注册的纸张信息的适当组合，请参阅以下内容。
 - [打印机驱动程序和打印机上的纸张设置\(介质类型\)\(Windows\)](#)
 - [打印机驱动程序和打印机上的纸张设置\(介质类型\)\(macOS\)](#)
 - [打印机驱动程序和打印机上的纸张设置\(纸张尺寸\)\(Windows\)](#)
 - [打印机驱动程序和打印机上的纸张设置\(纸张尺寸\)\(macOS\)](#)

打印时指定的纸张设置与打印机中注册的纸张信息不同时：

例如：

- 打印时在打印机驱动程序上指定的纸张设置：A5
- 在打印机中注册的上端进纸盘的纸张信息：A4



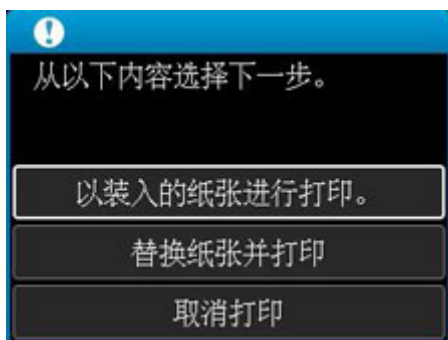
当开始打印时，会显示信息。



按打印机的 **OK** 按钮时，LCD 屏幕上显示打印时指定的纸张设置。



使用 ◀▶ 按钮选择下一步，然后按打印机的 **OK** 按钮以显示以下屏幕。



使用▲▼按钮选择适当的操作，然后按打印机的 **OK** 按钮。

►► 注释

- 根据设置，可能不会显示以下选项。

以装入的纸张进行打印。

选择此选项可使用打印时指定的纸张设置在装入的纸张上打印。

例如，如果打印时指定的纸张尺寸为 A5，而为上端进纸盘注册的纸张信息为 A4，则选择此选项可以 A5 设置在上端进纸盘中装入的 A4 纸张上打印。

替换纸张并打印

选择此选项可在更换上端进纸盘中的纸张后进行打印。

例如，如果打印时指定的纸张尺寸为 A5，而为上端进纸盘注册的纸张信息为 A4，则选择此选项可以在上端进纸盘中的纸张更换为 A5 纸张后进行打印。

更换纸张并关闭进纸插槽盖板后，将显示上端进纸盘的纸张信息注册屏幕。根据装入的纸张在打印机上注册纸张信息。

►► 注释

- 如果您不知道要在上端进纸盘中装入的纸张尺寸和纸张类型，请按打印机的**返回**按钮。显示纸张尺寸和纸张类型。
- 有关打印机驱动程序中指定的纸张设置和打印机中注册的纸张信息的适当组合，请参阅以下内容。

- [打印机驱动程序和打印机上的纸张设置\(介质类型\)\(Windows\)](#)
- [打印机驱动程序和打印机上的纸张设置\(介质类型\)\(macOS\)](#)
- [打印机驱动程序和打印机上的纸张设置\(纸张尺寸\)\(Windows\)](#)
- [打印机驱动程序和打印机上的纸张设置\(纸张尺寸\)\(macOS\)](#)

取消打印

取消打印。

如果要更改打印时指定的纸张设置，请选择此选项。更改纸张设置并重试打印。

显示防止误打印的信息的默认设置

- **不使用打印机驱动程序进行打印时(从打印机的操作面板或智能手机/平板电脑打印时)：**

默认启用防止误打印的信息。

要在不使用打印机驱动程序打印时更改是否显示防止误打印信息：

- [纸张相关设置](#)

- **使用打印机驱动程序进行打印时：**

默认禁用防止误打印的信息。

要在使用打印机驱动程序打印时更改是否显示防止误打印信息：

- [更改打印机操作模式](#)(Windows)
- [更改打印机操作模式](#)(macOS)

▶▶▶ **重要事项**

- **禁用防止误打印的信息时：**

即使用于打印的纸张设置与打印机上注册的纸张信息不同，打印机也会开始打印。

放置多用途托盘

- ▶ 使用多用途托盘打印时的注意事项
- ▶ 放置可打印光盘
- ▶ 放置可打印指甲贴

使用多用途托盘打印时的注意事项

使用多用途托盘打印的一般注意事项

- 请务必使用本打印机附带的多用途托盘。
- 在打印机运行时，请勿安装多用途托盘。
- 在打印机运行时，请勿取下多用途托盘。否则，可能会损坏打印机、多用途托盘或介质。
- 请勿弄脏多用途托盘，或划伤反射镜。打印机可能无法识别装入的介质或打印结果可能无法对齐。如果弄脏多用途托盘，请用柔软的干布将反射镜擦拭干净，小心勿划伤反射镜。
- 打印完成后，让介质打印面自然晾干。请勿使用吹风机或将介质曝露于阳光直射下以晾干墨水。请勿在墨水晾干前触摸打印面。

在可打印光盘上打印时的注意事项

- 将可打印光盘放入多用途托盘之前，请先清除多用途托盘中的污物。将光盘装入有污物的多用途托盘中可能会划伤光盘的刻录面。
- 请勿在不兼容喷墨打印的可打印光盘上打印。墨水将无法晾干，并可能造成光盘本身或装入光盘的 DVD 播放器或其他设备出现问题。
- 请勿在可打印光盘的刻录面上打印。否则将导致无法读取光盘中刻录的数据。
- 请手持可打印光盘的边缘。请勿触摸标签面(打印面)或刻录面。
- 如果使用 Easy-PhotoPrint Editor 以外的其他软件，可能会弄脏多用途托盘。

在可打印指甲贴上打印时的注意事项

- 有关可打印指甲贴的注意事项，请参阅可打印指甲贴附带的说明。
- 如果使用 Nail Stickers Creator 以外的其他应用程序，可能会弄脏多用途托盘。

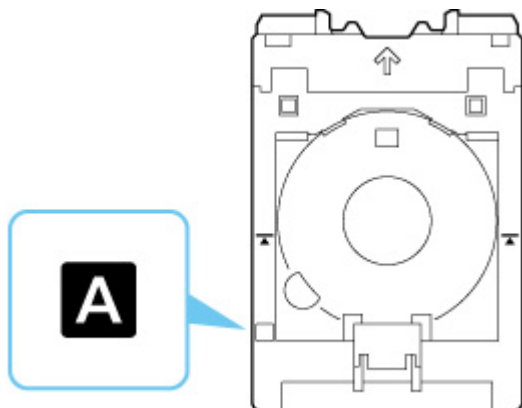
放置可打印光盘

- ▶ 放置可打印光盘前
- ▶ 放置可打印光盘
- ▶ 取出可打印光盘

放置可打印光盘前

可打印光盘不同于普通光盘(BD/DVD/CD 等)，它的标签面经过了特殊处理，或用喷墨打印机打印。
在可打印光盘上打印时需要以下物品。

- 打印机附带的多用途托盘



* 使用表面上带“A”的多用途托盘。

- 12 厘米(4.72 英寸)可打印光盘



获取带有兼容喷墨打印的标签面的可打印光盘。

放置可打印光盘

要在可打印光盘上打印，将光盘放在附带的多用途托盘上，然后将托盘插入打印机。

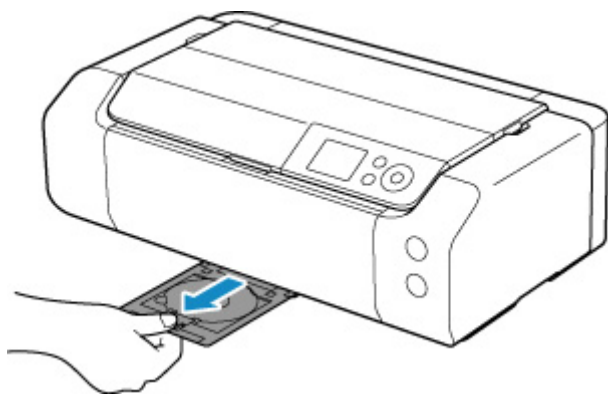
重要事项

- 出现提示您装入可打印光盘的信息时，再安装多用途托盘。否则会损坏打印机。
- 从手动进纸托盘取出所有纸张。

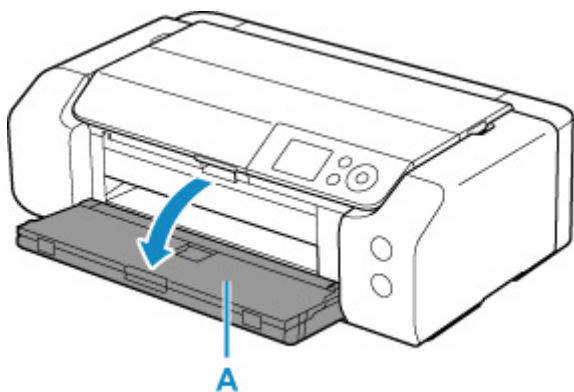
注释

- 如果在测试打印纸上执行测试打印，根据纸张类型，打印机可能无法正确读取纸张尺寸，无法避免打印到纸张边缘上。打印测试纸应当用于检查预设的布局。

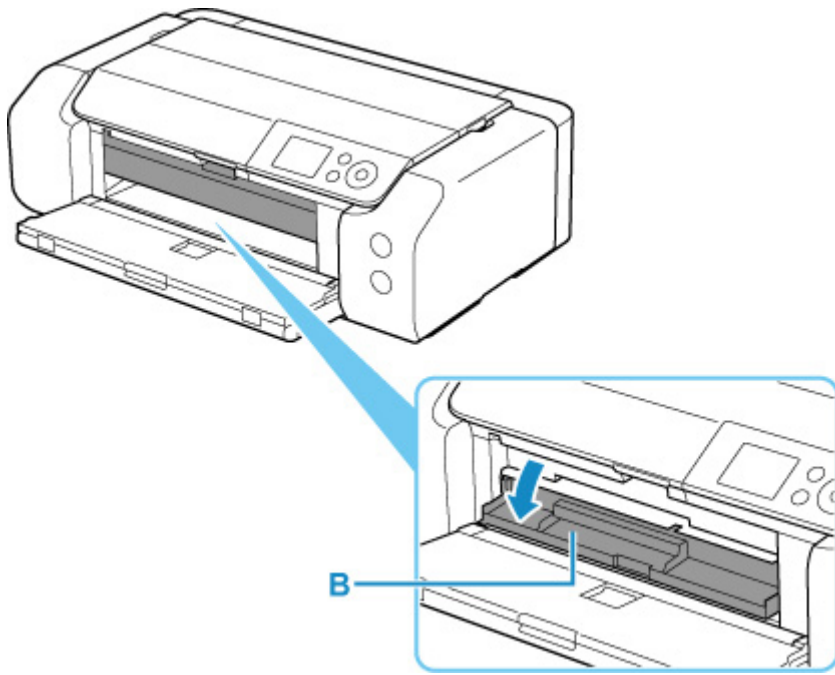
1. 从多用途托盘存储仓取下多用途托盘。



2. 轻轻打开出纸托盘(A)。



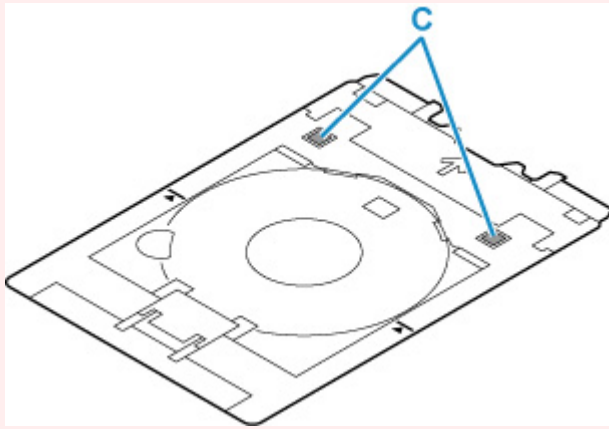
3. 出现提示您装入可打印光盘的信息时，打开多用途托盘导引器(B)。



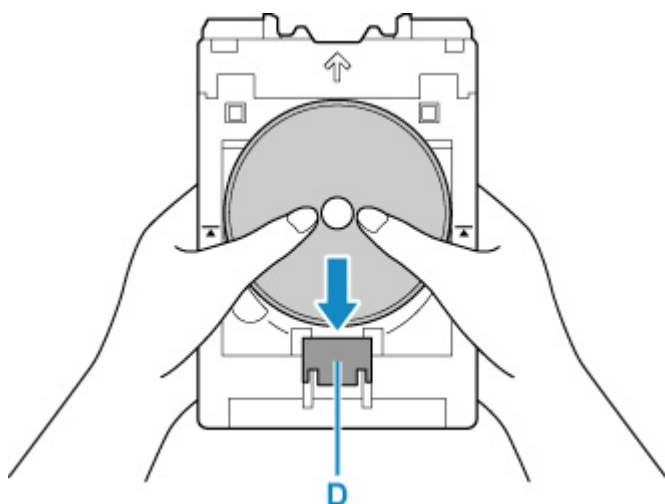
4. 将可打印光盘放置到多用途托盘上。

重要事项

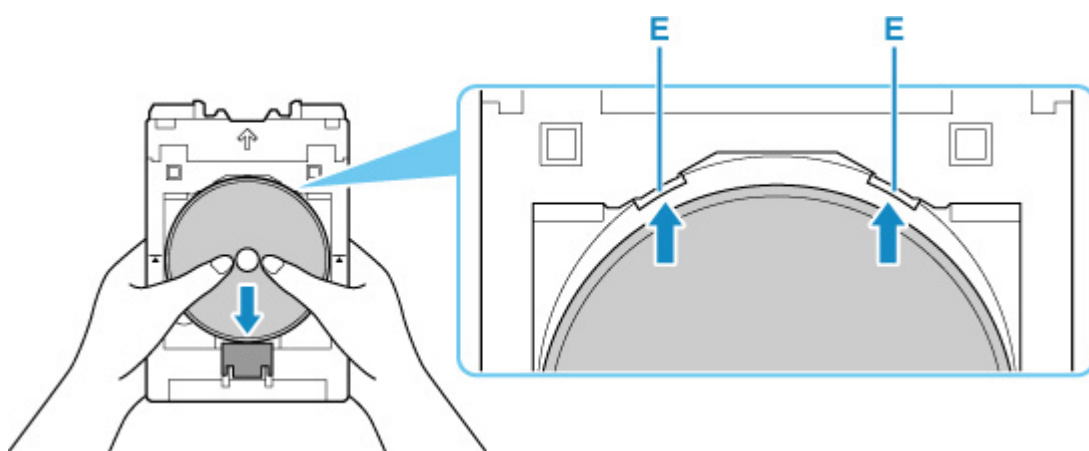
- 放置可打印光盘前，请确认多用途托盘上没有污物。
- 将可打印光盘放在多用途托盘上时，请勿触摸光盘的打印面或多用途托盘上的反射镜(C)。



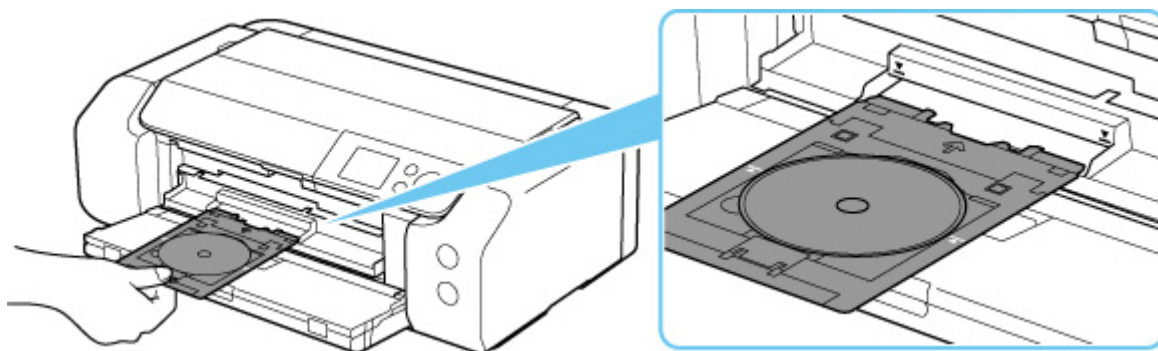
1. 将打印面向上放置可打印光盘，然后紧靠底部的固定导片(D)向下按光盘。



2. 按压可打印光盘时，将光盘上部插入卡槽(E)使其锁定。



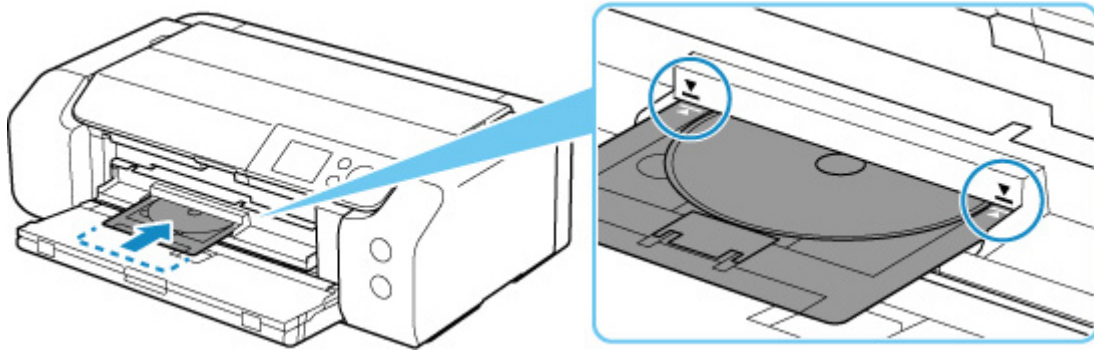
5. 将多用途托盘放置到多用途托盘导引器上。



6. 沿水平方向平直地插入多用途托盘，直至多用途托盘导引器上的箭头(▼)与多用途托盘上的箭头(▲)基本对齐。

重要事项

- 插入多用途托盘时请勿使其超过多用途托盘导引器上的箭头(▼)。

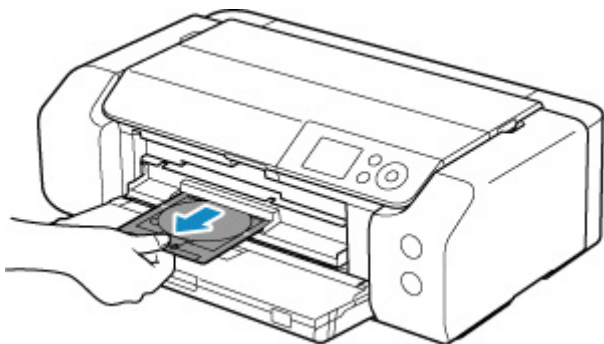


注釋

- 经过一段时间后，多用途托盘可能会弹出。在这种情况下，按照屏幕上的说明重新放置多用途托盘。

取出可打印光盘

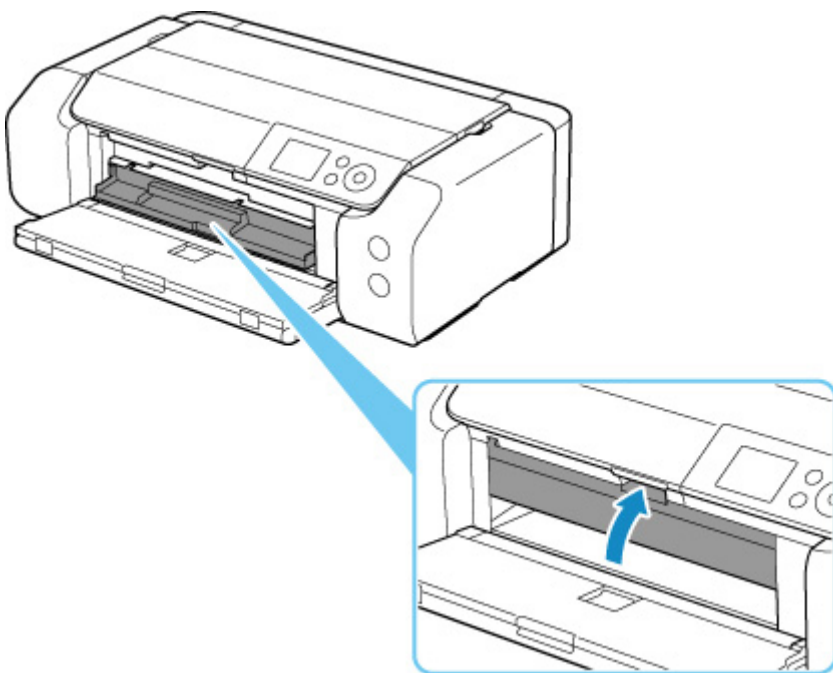
1. 拉出多用途托盘。



2. 关闭多用途托盘导引器。

重要事项

- 如果多用途托盘导引器打开，则会因不正确送入纸张而无法打印。确保多用途托盘导引器已关闭。



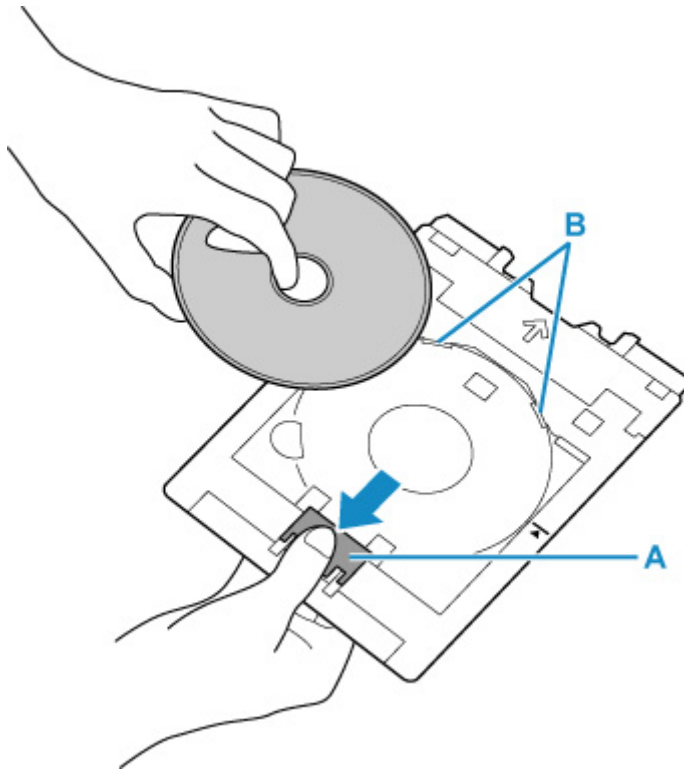
3. 按下固定导片(A)，同时从多用途托盘上的卡槽(B)取出可打印光盘，将其取下。

重要事项

- 从多用途托盘中取出光盘时请勿触摸打印面。

注释

- 取出光盘前请晾干打印面。如果发现打印在多用途托盘上或可打印光盘内外直径的透明区域上，请在打印面晾干后将其擦拭干净。



4. 将多用途托盘平直地插入多用途托盘存储仓。
不使用多用途托盘时，将其存放在多用途托盘存储仓中。

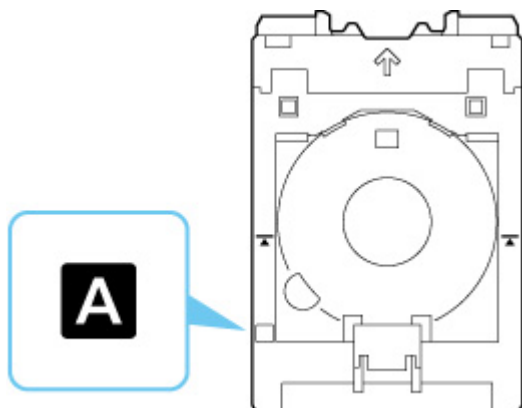
放置可打印指甲贴

- ▶ 放置可打印指甲贴前
- ▶ 放置可打印指甲贴
- ▶ 取下可打印指甲贴

放置可打印指甲贴前

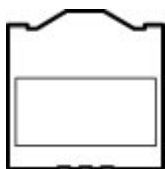
在可打印指甲贴上打印时需要以下物品。

- 打印机附带的多用途托盘



* 使用表面上带“A”的多用途托盘。

- 可打印指甲贴(NL-101)



注釋

- 有关可打印指甲贴的最新信息，请访问我们的网站。

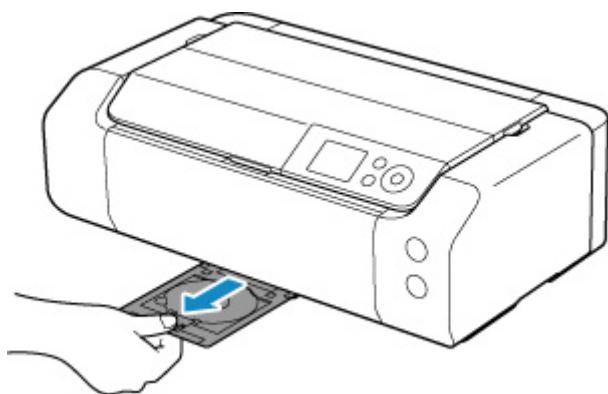
放置可打印指甲贴

要在可打印指甲贴上打印，将其放在打印机附带的多用途托盘上，然后将托盘插入打印机。

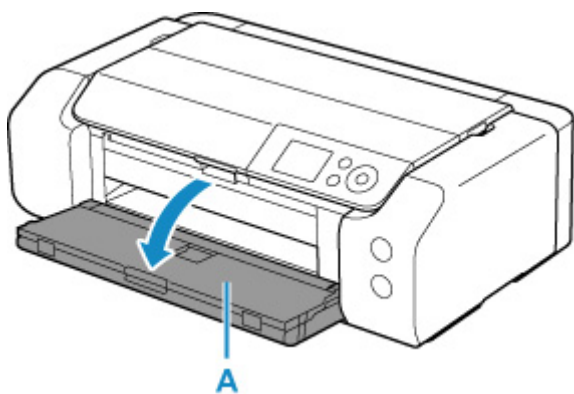
重要事项

- 出现提示您装入可打印指甲贴的信息时，再安装多用途托盘。否则会损坏打印机。

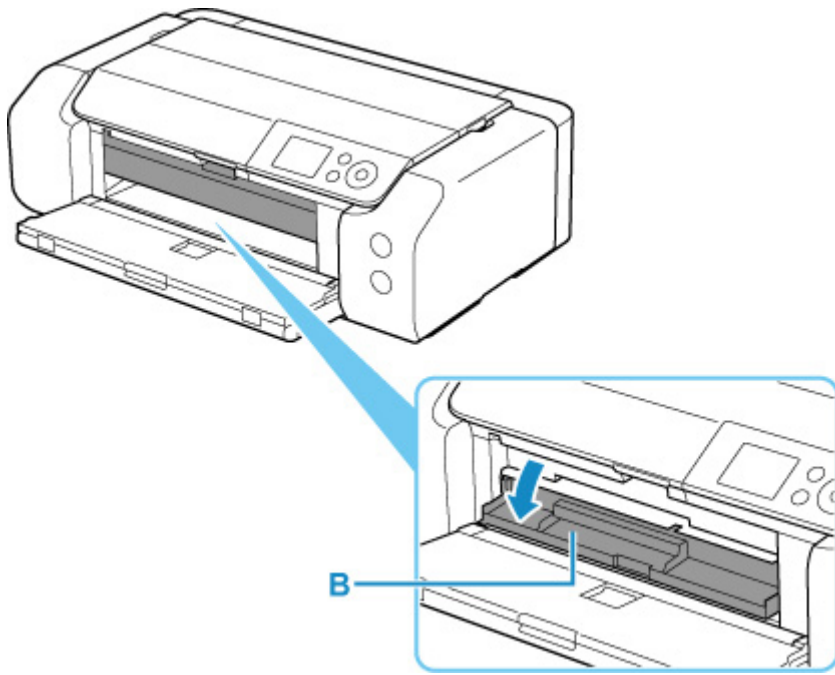
1. 从多用途托盘存储仓取下多用途托盘。



2. 轻轻打开出纸托盘(A)。



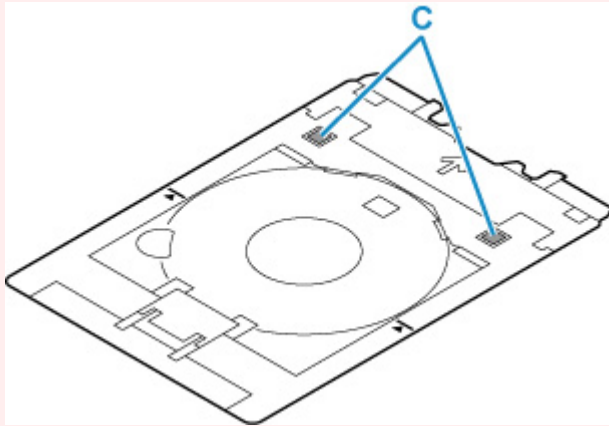
3. 出现提示您装入可打印指甲贴的信息时，打开多用途托盘导引器(B)。



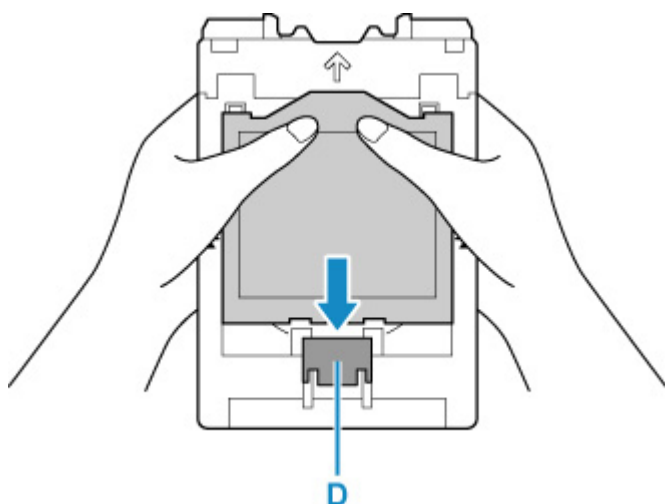
4. 在多功能托盘上放置可打印指甲贴。

重要事项

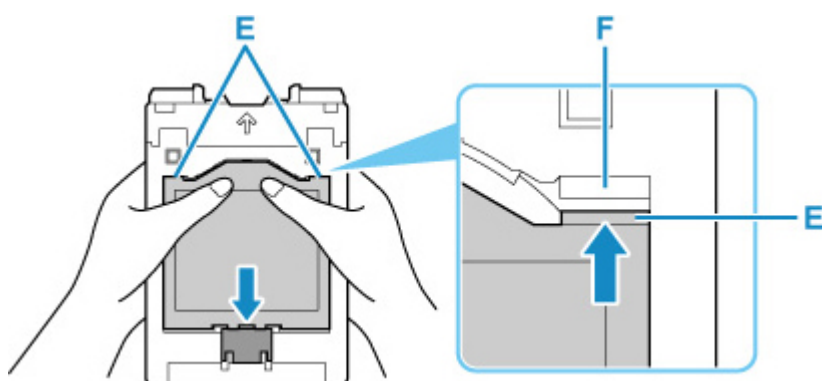
- 将可打印指甲贴放置于多功能托盘前，请确认多功能托盘上没有污物。
- 要防止弄脏可打印指甲贴或留下指纹，请手持贴纸的边缘。如果打印面弄脏或损坏，则可能会造成打印质量欠佳。
- 将可打印指甲贴放在多功能托盘上时，请勿触摸多功能托盘上的反射镜(C)。



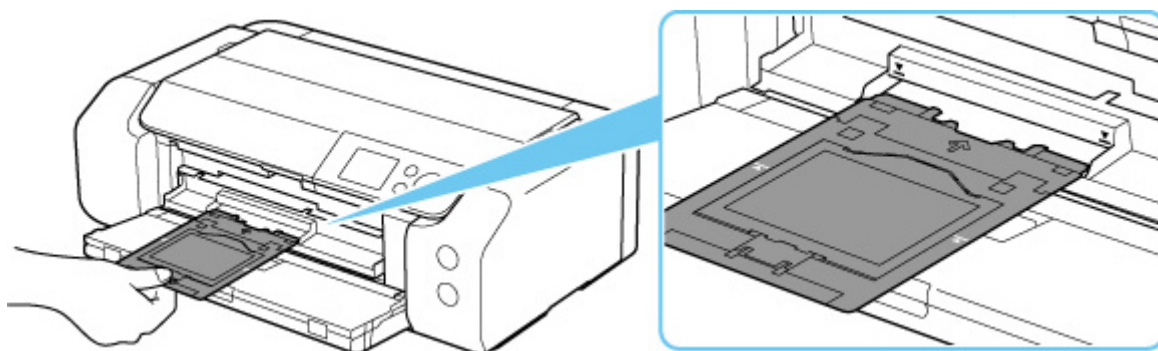
1. 将打印面向上放置可打印指甲贴，紧靠底部的固定导片(D)向下按指甲贴。



2. 按压可打印指甲贴时，将指甲贴上部的两个卡子(E)插入多用途托盘的卡槽(F)使其锁定。



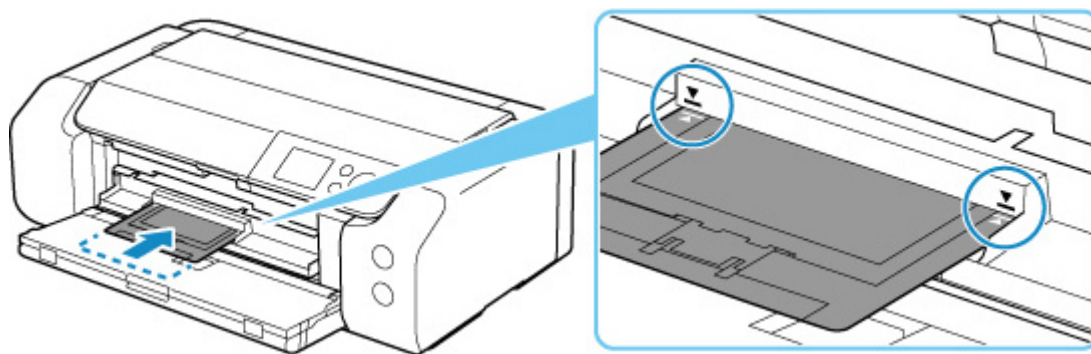
5. 将多用途托盘放置到多用途托盘导引器上。



6. 沿水平方向平直地插入多用途托盘，直至多用途托盘导引器上的箭头(▼)与多用途托盘上的箭头(▲)基本对齐。

重要事项

- 插入多用途托盘时请勿使其超过多用途托盘导引器上的箭头(▼)。

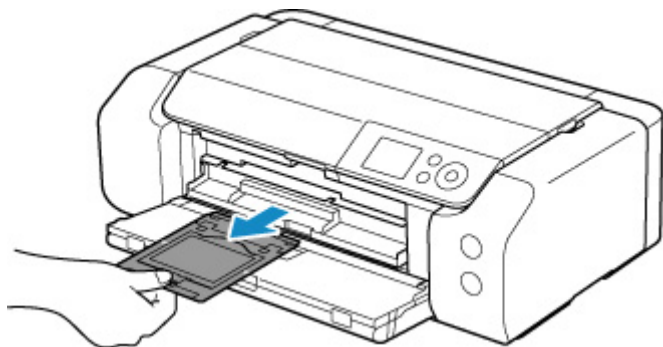


注釋

- 经过一段时间后，多用途托盘可能会弹出。在这种情况下，按照屏幕上的说明重新放置多用途托盘。

取下可打印指甲贴

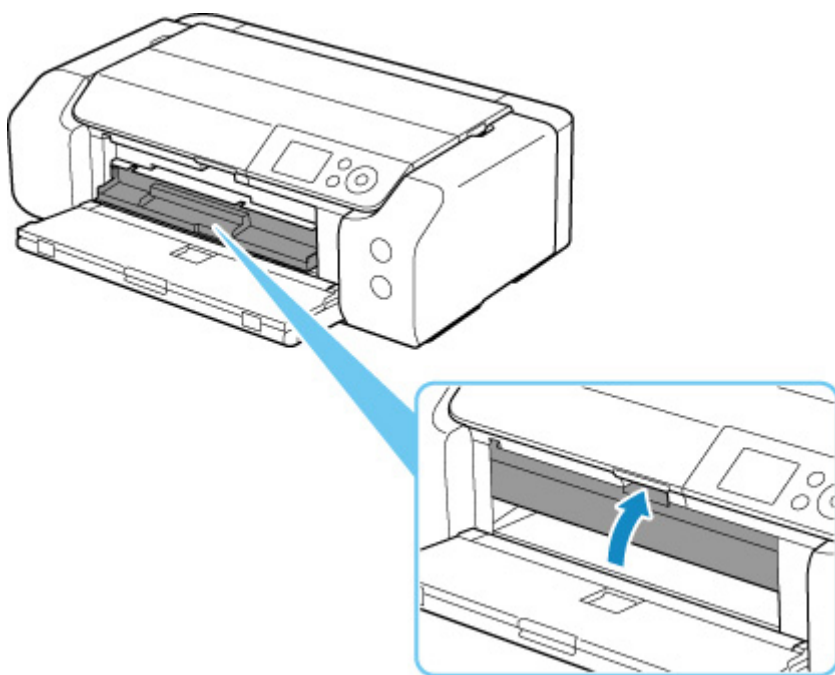
1. 拉出多用途托盘。



2. 关闭多用途托盘导引器。

重要事项

- 如果多用途托盘导引器打开，则会因不正确送入纸张而无法打印。确保多用途托盘导引器已关闭。



3. 取下可打印指甲贴。

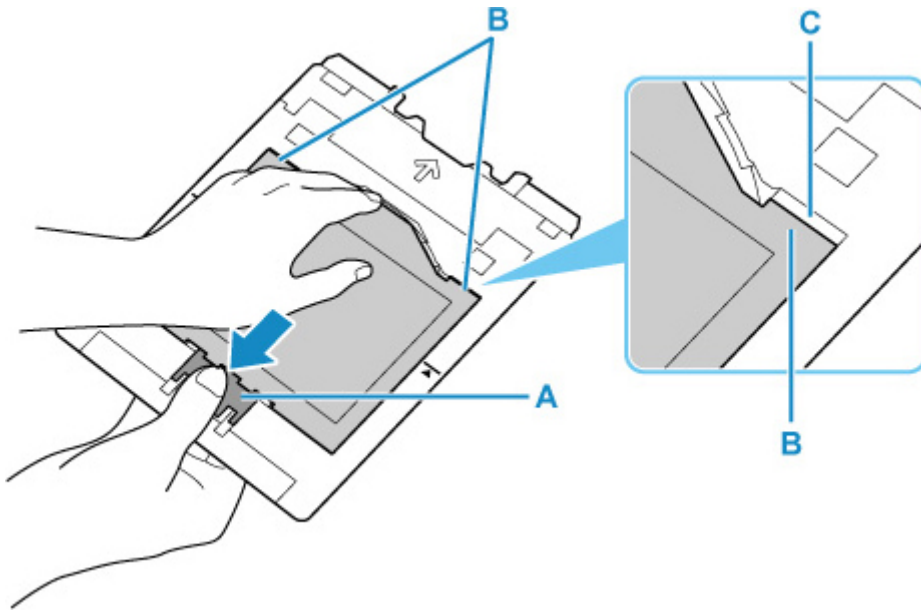
向下按固定导片(A)，从卡槽(C)中取出顶部两个卡舌(B)。

重要事项

- 取下可打印指甲贴时请勿触摸其打印面。

注釋

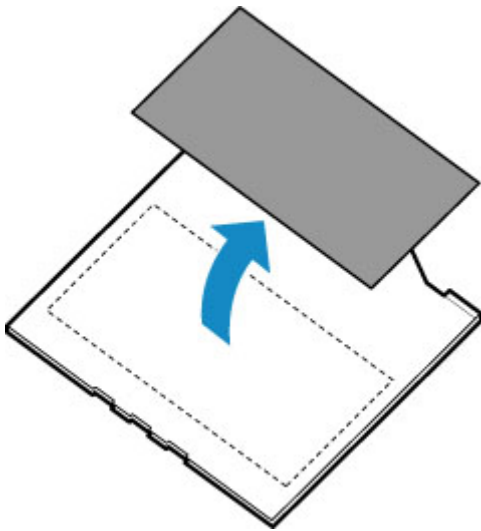
- 取下可打印指甲貼前請晾乾打印面。如果發現打印在多用途托盤上或可打印指甲貼的外面，請在打印面晾乾後將其擦拭乾淨。



4. 從適配器中剝下一張可打印指甲貼。

重要事項

- 從可打印指甲貼邊緣將其撕下前請晾乾打印面。



5. 將多用途托盤平直地插入多用途托盤儲存倉。

不使用多用途托盤時，將其插入多用途托盤儲存倉中。

网络

可用的连接方法


打印机可提供以下连接方法。

• 无线连接

使用无线路由器连接打印机和设备(如计算机/智能手机/平板电脑)。

如果已有无线路由器，建议将其用于无线连接。



- 根据无线路由器类型的不同，连接方法会有所不同。
- 可以在打印机上更改网络设置，如网络名称(SSID)和安全协议。
- 设备和无线路由器之间的连接完成且  (Wi-Fi 图标)显示在设备屏幕上时，可以使用无线路由器将设备连接到打印机。

• 无线直连

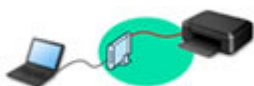
不使用无线路由器连接打印机和设备(如计算机/智能手机/平板电脑)。



- 通过无线直连使用打印机时，无法从打印机使用互联网连接。在这种情况下，用于打印机的 Web 服务无法使用。
- 设备通过无线路由器连接到互联网时，如果将其连接到处于无线直连的打印机，设备和无线路由器之间的连接将被禁用。在这种情况下，根据设备的不同，设备连接可能会自动切换至移动数据连接。使用移动数据连接进行互联网连接会产生传输费用。
- 在无线直连中，最多可以同时连接五台设备。如果在已连接五台设备时尝试连接第六台设备，将出现错误。如果出现错误，断开不使用的设备，然后重新配置设置。
- 会自动指定网络名称(SSID)和安全协议等网络设置。

• 有线连接

使用 LAN 电缆线连接打印机和集线器/路由器。请准备 LAN 电缆线。



►► 注释

- 可以使用 USB 电缆线连接打印机和计算机(USB 连接)。准备 USB 电缆线。有关详细资料，请参见 [通过 LAN 连接到其他计算机/从 USB 更改为 LAN 连接](#)。

网络连接设置

对打印机和计算机/智能手机/平板电脑执行连接设置。

有关设置步骤的更多信息，请单击此处。

更改网络设置

有关更改打印机和计算机/智能手机/平板电脑的连接设置，请参见以下内容。

- 要更改网络连接方法：
 - [重新配置 LAN 连接的方法/重新配置 Wi-Fi 连接的方法](#)
 - 更改连接模式
- 要将计算机/智能手机/平板电脑添加至打印机：
 - [通过 LAN 连接到其他计算机/从 USB 更改为 LAN 连接](#)
- 要暂时使用无线直连：
 - [通过无线直连连接](#)

IJ Network Device Setup Utility

如果网络连接发生错误，IJ Network Device Setup Utility 检查或诊断打印机和计算机的设置并恢复它们的状态。选择下列任一链接下载 IJ Network Device Setup Utility。

- 使用 IJ Network Device Setup Utility 检查打印机连接状态
- 执行/更改网络设置(Windows)

对于 Windows，可以使用 IJ Network Device Setup Utility 执行网络设置。

 - [IJ Network Device Setup Utility\(Windows\)](#)
- 诊断并修复网络设置(Windows/macOS)

可以使用 IJ Network Device Setup Utility 诊断或修复网络设置。

 - 对于 Windows：
 - [IJ Network Device Setup Utility\(Windows\)](#)
 - 对于 macOS：
 - IJ Network Device Setup Utility(macOS)

网络连接提示

有关通过网络连接使用打印机的提示，请参见以下部分。

- [网络连接提示](#)
- [使用 Web 浏览器更改打印机的设置](#)
- [针对未经授权访问的措施](#)

故障排除

有关网络连接故障排除，请参见[网络设置和常见问题](#)。

通知/限制

有关详细信息，请参见以下内容。

- 有关网络设置的限制：
 - [限制](#)
- 使用 Web 服务打印时的通知：
 - [Web 服务打印的注意事项](#)

限制

在一个设备(如计算机)已连接打印机的情况下，如果再连接另一设备到打印机，请使用与已连接设备相同的连接方法。

如果使用不同的连接方法进行连接，将禁用与正在使用的设备之间的连接。

无法在不支持有线连接的打印机上使用有线网络进行连接。

通过无线路由器连接

- 不能同时为打印机建立无线和有线连接。
- 确保设备已与无线路由器连接。有关检查这些设置的详细资料，请参见无线路由器附带的手册或联系其制造商。
对于未使用无线路由器连接到打印机的设备，通过无线路由器重新连接该设备。
- 根据系统环境的不同，无线路由器的配置、路由器功能、安装步骤以及安全设置会有所不同。有关详细资料，请参见无线路由器手册或联系其制造商。
- 此打印机不支持 IEEE802.11ac。根据您所在的国家或地区，可能不支持 IEEE802.11a 和 IEEE802.11n(5GHz)。检查设备是否支持 IEEE802.11n、IEEE802.11g、IEEE802.11b 或 IEEE802.11a。
- 如果设备设置为“仅 IEEE802.11n”模式，则 WEP 或 TKIP 无法用作安全协议。将设备的安全协议更改为 WEP 和 TKIP 以外的协议或将设置更改为“仅 IEEE802.11n”以外的设置。
更改设置时，设备和无线路由器之间的连接将暂时禁用。设置未完成时，请勿继续操作本指南的下一屏幕。
- 在户外连接到 Wi-Fi 时，请勿连接到 5GHz 网络(SSID)。
根据您所在的国家或地区，打印机可使用的 5GHz 频段可能仅包括在室内使用的信道。
有关无线路由器的 5GHz 网络(SSID)的详细资料，请参见无线路由器随附的手册或联系其制造商。
- 如在办公室环境下使用，请咨询网络管理员。
- 请注意，如果连接到一个没有安全保护的网路，个人信息可能会泄露给第三方。

无线直连

重要事项

- 设备通过无线路由器连接到互联网时，如果将其连接到处于无线直连模式的打印机，设备和无线路由器之间的现有连接将被禁用。在这种情况下，根据设备的不同，设备连接可能会自动切换至移动数据连接。当使用移动数据连接连接到互联网时，根据合同，可能会产生费用。
 - 使用无线直连来连接设备和打印机时，连接信息将保存到 Wi-Fi 设置。即使断开设备连接或将其连接到其他无线路由器后，设备可能也会自动连接到打印机。
 - 为防止自动连接到处于无线直连模式的打印机，请在使用打印机后更改连接模式，或在设备的 Wi-Fi 设置中设置为不进行自动连接。
有关更改设备设置的详细资料，请参见设备附带的手册或联系其制造商。
- 如果使用无线直连来连接设备和打印机，根据所用环境，互联网连接可能不可用。在这种情况下，用于打印机的 Web 服务无法使用。
- 在无线直连模式下，最多可以同时连接五台设备。如果在已连接五台设备时尝试连接第六台设备，将出现错误。
如果出现错误，断开不使用打印机的设备，然后重新设置。

- 使用无线直连连接到打印机的设备无法彼此进行通讯。
- 使用无线直连时，将不能对打印机进行固件更新。
- 未使用无线路由器将设备连接到打印机且要使用相同的连接方法重新进行设置时，请先断开连接。在 Wi-Fi 设置屏幕上禁用设备和打印机之间的连接。

使用有线网络进行连接

- 不能同时为打印机建立无线和有线连接。
- 使用路由器时，请将打印机和计算机连接到 LAN 一侧(同一网络区域)。

网络连接提示

- ▶ 默认网络设置
- ▶ 检测到相同打印机名称
- ▶ 通过 LAN 连接到其他计算机/从 USB 更改为 LAN 连接
- ▶ 打印网络设置
- ▶ 重新配置 LAN 连接的方法/重新配置 Wi-Fi 连接的方法
- ▶ 通过无线直连连接

默认网络设置

LAN 连接默认值

项目	默认
更改无线/有线 LAN	有线 LAN
网络名称(SSID)	BJNPSETUP
Wi-Fi 安全	禁用
IP 地址 (IPv4)	自动设置
IP 地址 (IPv6)	自动设置
设置打印机名称*	XXXXXXXXXXXX
启用/禁用 IPv6	启用
启用/禁用 WSD	启用
超时设置	15 分钟
启用/禁用 Bonjour	启用
服务名称	Canon PRO-200 series
LPR 协议设置	启用
RAW 协议	启用
LLMNR	启用
PictBridge 通讯	启用
有线 LAN 间歇接收设置	启用

(“XX”表示字母数字字符。)

* 默认值因打印机而异。要检查默认值，请使用操作面板。

■ LAN 设置

无线直连默认值

项目	默认
网络名称(SSID)	DIRECT-abXX-PRO-200series *1
密码	YYYYYYYYYY *2
Wi-Fi 安全	WPA2-PSK(AES)
确认连接请求	显示

*1 “ab” 为随机指定而 “XX” 表示打印机 MAC 地址的最后两位数字。(首次开启打印机时指定该值。)

*2 首次开启打印机时自动指定该密码。

检测到相同打印机名称

设置过程中检测到打印机时，结果屏幕上可能会出现多台具有相同名称的打印机。

对照检测结果屏幕上的设置查看打印机设置，从而选择打印机。

- **对于 Windows:**

查看打印机的 MAC 地址或序列，从结果中选择正确的打印机。

- **对于 macOS:**

打印机名称显示为末尾添加 MAC 地址的名称，或显示为由 Bonjour 指定的打印机名称。

检查标识符，如 MAC 地址、由 Bonjour 指定的打印机名称以及打印机的序列号，从出现的打印机中选择打印机。

▶▶▶ 注释

- 序列号可能未显示在结果屏幕上。

要检查打印机的 MAC 地址和序列号，请打印出网络设置信息。

- [打印网络设置](#)

▶▶▶ 注释

- 可以通过将序列号显示在 LCD 屏幕上来检查序列号。

- [打印机信息](#)

通过 LAN 连接到其他计算机/从 USB 更改为 LAN 连接

要通过 LAN 将其他计算机连接到打印机，或从 USB 切换为 LAN 连接，请单击此处并执行设置。

打印网络设置

使用操作面板打印打印机的当前网络设置。

重要事项

- 此网络设置打印输出包含关于网络的重要信息。请小心处理。

- 确认打印机已开启，并显示主页屏幕。
如果未显示主页屏幕，请按**主页**按钮。
- [装入三张 A4 或 Letter 尺寸普通纸。](#)
- 在主页屏幕上选择 **LAN 设置**，然后按 **OK** 按钮。
- 选择**打印详细信息**，然后按 **OK** 按钮。
- 检查信息，选择**是**，然后按 **OK** 按钮。
- 出现打印密码确认屏幕时，选择**是或否**，然后按 **OK** 按钮。

打印机开始打印网络设置信息。

打印输出以下关于打印机网络设置的信息。(根据打印机设置，某些设置值不会显示。)

项目编号	项目	描述	设置
1	Product Information	产品信息	-
1-1	Product Name	产品名称	XXXXXXXXX
1-2	ROM Version	ROM 版本	XXXXXXXXX
1-3	Serial Number	序列号	XXXXXXXXX
2	Network Diagnostics	网络诊断	-
2-1	Diagnostic Result	诊断结果	XXXXXXXXX
2-2	Result Codes	结果代码	XXXXXXXXX
2-3	Result Code Details	结果代码详细资料	http://canon.com/ijnwt
3	Wireless LAN	无线 LAN	Enable/Disable
3-2	Infrastructure	基础结构	Enable/Disable
3-2-1	Signal Strength	信号强度	0 到 100[%]
3-2-2	Link Quality	连接质量	0 到 100[%]
3-2-3	Frequency	频率	XX(GHz)

3-2-4	MAC Address	MAC 地址	XX:XX:XX:XX:XX:XX
3-2-5	Connection	连接状态	Active/Inactive
3-2-6	SSID	SSID	无线 LAN 网络名称(SSID)
3-2-7	Channel	通道	XXX(1 至 13、36、40、44、48、52、56、60、64、100、104、108、112、116、120、124、128、132、136、140、149、153、157、161、165)
3-2-8	Encryption	加密方法	None/WEP/TKIP/AES
3-2-9	WEP Key Length	WEP 密钥长度(位)	Inactive/128/64
3-2-10	Authentication	验证方法	None/auto/open/shared/WPA-PSK/WPA2-PSK
3-2-11	TCP/IPv4	TCP/IPv4	Enable/Disable
3-2-12	IP Address	IP 地址	XXX.XXX.XXX.XXX
3-2-13	Subnet Mask	子网掩码	XXX.XXX.XXX.XXX
3-2-14	Default Gateway	默认网关	XXX.XXX.XXX.XXX
3-2-15	TCP/IPv6	TCP/IPv6	Enable/Disable
3-2-16	Link Local Address	本地链路地址	XXXX:XXXX:XXXX:XXXX XXXX:XXXX:XXXX:XXXX
3-2-17	Link Local Prefix Length	本地链路前缀长度	XXX
3-2-18	Stateless Address1	无状态地址 1	XXXX:XXXX:XXXX:XXXX XXXX:XXXX:XXXX:XXXX
3-2-19	Stateless Prefix Length1	无状态前缀长度 1	XXX
3-2-20	Stateless Address2	无状态地址 2	XXXX:XXXX:XXXX:XXXX XXXX:XXXX:XXXX:XXXX
3-2-21	Stateless Prefix Length2	无状态前缀长度 2	XXX
3-2-22	Stateless Address3	无状态地址 3	XXXX:XXXX:XXXX:XXXX XXXX:XXXX:XXXX:XXXX
3-2-23	Stateless Prefix Length3	无状态前缀长度 3	XXX
3-2-24	Stateless Address4	无状态地址 4	XXXX:XXXX:XXXX:XXXX XXXX:XXXX:XXXX:XXXX

3-2-25	Stateless Prefix Length4	无状态前缀长度 4	XXX
3-2-26	Default Gateway1	默认网关 1	XXXX:XXXX:XXXX:XXXX XXXX:XXXX:XXXX:XXXX
3-2-27	Default Gateway2	默认网关 2	XXXX:XXXX:XXXX:XXXX XXXX:XXXX:XXXX:XXXX
3-2-28	Default Gateway3	默认网关 3	XXXX:XXXX:XXXX:XXXX XXXX:XXXX:XXXX:XXXX
3-2-29	Default Gateway4	默认网关 4	XXXX:XXXX:XXXX:XXXX XXXX:XXXX:XXXX:XXXX
3-2-30	Manual Setting	手动设置	Enable/Disable
3-2-31	IP Address	IP 地址	XXXX:XXXX:XXXX:XXXX XXXX:XXXX:XXXX:XXXX
3-2-32	Subnet Prefix Length	子网前缀长度	XXX
3-2-33	IPsec	IPsec 设置	Active/Inactive
3-2-34	Security Protocol	安全方法	ESP/ESP & AH/AH/Blank (not selected)
3-2-35	Wireless LAN DRX	间歇接收(无线 LAN)	Enable/Disable
3-3	Wireless Direct	无线直连的操作模式	Enable/Disable
3-3-1	MAC Address	MAC 地址	XX:XX:XX:XX:XX:XX
3-3-2	Connection	连接状态	Active/Inactive
3-3-3	SSID	SSID	无线直连网络名称(SSID)
3-3-4	Password	密码	无线直连密码
3-3-5	Channel	通道	3
3-3-6	Encryption	加密方法	AES
3-3-7	Authentication	验证方法	WPA2-PSK
3-3-8	TCP/IPv4	TCP/IPv4	Enable/Disable
3-3-9	IP Address	IP 地址	XXX.XXX.XXX.XXX
3-3-10	Subnet Mask	子网掩码	XXX.XXX.XXX.XXX
3-3-11	Default Gateway	默认网关	XXX.XXX.XXX.XXX
3-3-12	TCP/IPv6	TCP/IPv6	Enable/Disable
3-3-13	Link Local Address	本地链路地址	XXXX:XXXX:XXXX:XXXX

			XXXX:XXXX:XXXX:XXXX
3-3-14	Link Local Prefix Length	本地链路前缀长度	XXX
3-3-15	IPsec	IPsec 设置	Active/Inactive
3-3-16	Security Protocol	安全方法	ESP/ESP & AH/AH/Blank (not selected)
3-3-17	Wireless LAN DRX	间歇接收(无线直连)	Enable/Disable
4	Wired LAN	有线 LAN	Enable/Disable
4-1	MAC Address	MAC 地址	XX:XX:XX:XX:XX:XX
4-2	Connection	连接	Active/Inactive
4-3	TCP/IPv4	TCP/IPv4 的操作模式	Enable/Disable
4-4	IP Address	IP 地址	XXX.XXX.XXX.XXX
4-5	Subnet Mask	子网掩码	XXX.XXX.XXX.XXX
4-6	Default Gateway	默认网关	XXX.XXX.XXX.XXX
4-7	TCP/IPv6	TCP/IPv6 的操作模式	Enable/Disable
4-8	Link Local Address	本地链路地址	XXXX:XXXX:XXXX:XXXX XXXX:XXXX:XXXX:XXXX
4-9	Link Local Prefix Length	本地链路前缀长度	XXX
4-10	Stateless Address1	无状态地址 1	XXXX:XXXX:XXXX:XXXX XXXX:XXXX:XXXX:XXXX
4-11	Stateless Prefix Length1	无状态前缀长度 1	XXX
4-12	Stateless Address2	无状态地址 2	XXXX:XXXX:XXXX:XXXX XXXX:XXXX:XXXX:XXXX
4-13	Stateless Prefix Length2	无状态前缀长度 2	XXX
4-14	Stateless Address3	无状态地址 3	XXXX:XXXX:XXXX:XXXX XXXX:XXXX:XXXX:XXXX
4-15	Stateless Prefix Length3	无状态前缀长度 3	XXX
4-16	Stateless Address4	无状态地址 4	XXXX:XXXX:XXXX:XXXX XXXX:XXXX:XXXX:XXXX

4-17	Stateless Prefix Length4	无状态前缀长度 4	XXX
4-18	Default Gateway1	默认网关 1	XXXX:XXXX:XXXX:XXXX XXXX:XXXX:XXXX:XXXX
4-19	Default Gateway2	默认网关 2	XXXX:XXXX:XXXX:XXXX XXXX:XXXX:XXXX:XXXX
4-20	Default Gateway3	默认网关 3	XXXX:XXXX:XXXX:XXXX XXXX:XXXX:XXXX:XXXX
4-21	Default Gateway4	默认网关 4	XXXX:XXXX:XXXX:XXXX XXXX:XXXX:XXXX:XXXX
4-22	Manual Setting	手动设置	Enable/Disable
4-23	IP Address	IP 地址	XXXX:XXXX:XXXX:XXXX XXXX:XXXX:XXXX:XXXX
4-24	Subnet Prefix Length	子网前缀长度	XXX
4-25	IPsec	IPsec	Active/Inactive
4-26	Security Protocol	安全协议	ESP/ESP & AH/AH/Blank (not selected)
4-27	Wired LAN DRX	有线 LAN DRX	Enable/Disable
5	Other Settings	其他设置	-
5-1	Printer Name	打印机名称	打印机名称(最多 15 个字母数字字符)
5-2	Wireless Direct DevName	用于无线直连的设备名称	用于无线直连的设备名称(最多 32 个字母数字字符)
5-4	WSD Printing	WSD 打印设置	Enable/Disable
5-5	WSD Timeout	超时	1/5/10/15/20[分钟]
5-6	LPD Printing	LPD 打印设置	Enable/Disable
5-7	RAW Printing	RAW 打印设置	Enable/Disable
5-9	Bonjour	Bonjour 设置	Enable/Disable
5-10	Bonjour Service Name	Bonjour 服务名称	Bonjour 服务名称(最多 52 个字母数字字符)
5-11	LLMNR	LLMNR 设置	Enable/Disable
5-12	SNMP	SNMP 设置	Enable/Disable
5-13	PictBridge Commun.	PictBridge 通讯	Enable/Disable
5-14	DNS Server	自动包含 DNS 服务器地址	Auto/Manual

5-15	Primary Server	主服务器地址	XXX.XXX.XXX.XXX
5-16	Secondary Server	辅助服务器地址	XXX.XXX.XXX.XXX
5-17	Proxy Server	代理服务器设置	Enable/Disable
5-18	Proxy Address	代理地址	XXXXXXXXXXXXXXXXXXXXXX
5-19	Proxy Port	代理端口指定	1 到 65535
5-20	Cert. Fingerprt(SHA-1)	证书指纹(SHA-1)	XXXXXXXX XXXXXXXX XXXXXXXX XXXXXXXX XXXXXXXX
5-21	Cert. Fingerprt(SHA-256)	证书指纹(SHA-256)	XXXXXXXX XXXXXXXX XXXXXXXX XXXXXXXX XXXXXXXX XXXXXXXX XXXXXXXX XXXXXXXX
7	Web Services	Web 服务	-
7-1	Unsent Usage Logs	未发送的使用日志数量	0 到 200
7-2	Usage Log Last Sent	上次发送使用日志的日期	XXXXXXXX
7-3	Web Service Status	注册状态	Not set/Disabled/Registration pending/Registered
7-4	Log Transmission Status	传输结果	Not activated/Processing/Server error/Connection error/Timeout error/Error/Awaiting server response/Active

(“XX”表示字母数字字符。)

重新配置 LAN 连接的方法/重新配置 Wi-Fi 连接的方法

- [LAN 连接的重新配置方法](#)
- [重新配置 Wi-Fi 连接的方法](#)

LAN 连接的重新配置方法

按照以下任一步骤更改 LAN 连接方法(有线或无线)。

- **对于 Windows:**

- 从网页重新执行设置。
- 在 LCD 屏幕菜单中, 从 **LAN 设置为启用/禁用有线 LAN 或启用/禁用 Wi-Fi 选择启用**。

然后, 在 IJ Network Device Setup Utility 的**网络设置**屏幕上执行设置。

有关详细资料, 请参阅[执行/更改 Wi-Fi 设置](#)或[执行/更改有线 LAN 连接\(以太网电缆线\)设置](#)。

- **对于 macOS:**

从网页重新执行设置。

重新配置 Wi-Fi 连接的方法

按照以下任一步骤更改 Wi-Fi 连接方法(架构或无线直连)。

- **对于 Windows:**

- 请参阅更改连接模式。
- 在 IJ Network Device Setup Utility 的**网络设置**屏幕上执行设置。

重要事项

- 使用 IJ Network Device Setup Utility 执行设置前, 按照以下步骤更改打印机设置。

1. 确认打印机是否已开启。
2. 在主页屏幕上选择 **LAN 设置**, 然后按 **OK** 按钮。
如果指定管理员密码, 请输入密码。
3. 选择 **Wi-Fi**, 然后按 **OK** 按钮。
4. 选择**设置**, 然后按 **OK** 按钮。
5. 选择 **Wi-Fi 设置**, 然后按 **OK** 按钮。
6. 选择**简易无线连接**, 然后按 **OK** 按钮。
7. 检查信息并按 **OK** 按钮。

请按照计算机、智能手机或平板电脑上的说明进行操作。

8. 如果出现设置完成信息，按 **OK** 按钮。

- **对于 macOS:**

请参阅更改连接模式。

通过无线直连连接

可以通过以下两种方法将设备(例如计算机、智能手机或平板电脑)连接至打印机。

- 无线连接(通过无线路由器连接设备)
- 直接无线连接(通过无线直连接设备)

本节描述了无线直连, 这种方式可以通过将设备直接连接至打印机进行打印。

请按照以下步骤设置和使用无线直连。

1. 准备打印机。

■ [更改打印机设置以使用无线直连](#)

2. 准备要连接到打印机的设备。

■ [更改设备的设置并将其连接至打印机](#)

重要事项

- 使用无线直连, 最多可以同时将 5 个设备连接到打印机。
- 检查使用限制并将打印机切换至无线直连。

■ [限制](#)

更改打印机设置以使用无线直连

1. 确保打印机已开启。
2. 在主页屏幕上选择 **LAN 设置**, 然后按 **OK** 按钮。
 - [操作面板上的设置项目](#)
3. 选择**无线直连**, 然后按 **OK** 按钮。
4. 选择**设置**, 然后按 **OK** 按钮。
5. 选择**启用/禁用无线直连**, 然后按 **OK** 按钮。
6. 检查显示的信息, 选择**是**, 然后按 **OK** 按钮。

启用无线直连后, 会显示使用无线直连连接的打印机时的标识符(SSID)等。

您可以检查无线直连的各种设置。

注释

- 将设备连接到打印机时需要输入密码。根据使用的设备不同, 不需要输入密码。
- 将兼容 Wi-Fi Direct 的设备连接到打印机时, 选择设备的 LCD 屏幕上显示的设备名称。
- 要更改标识符(SSID)和密码, 请参见以下内容。

■ [更改无线直连设置](#)

更改设备的设置并将其连接至打印机

1. 在设备上开启 Wi-Fi 功能。

在设备的“设置”菜单中启用“Wi-Fi”。

有关打开 Wi-Fi 功能的更多信息，请参见设备的说明手册。

2. 从设备上显示的列表中选择“DIRECT-XXXX-PRO-200series”（“X”表示字母数字字符）。

►► 注释

- 如果列表中未出现“DIRECT-XXXX-PRO-200series”，则无线直连未启用。
请参见[更改打印机设置以使用无线直连](#)，启用无线直连。

3. 输入密码。

设备已连接到打印机。

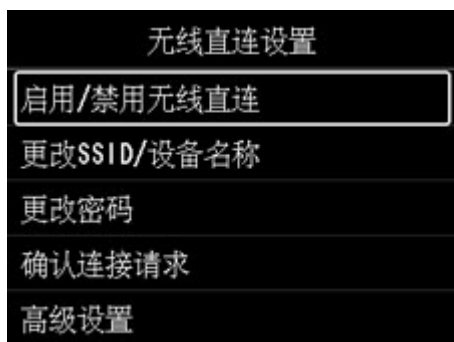
►► 注释

- 检查无线直连的密码。
 1. 在主页屏幕上选择 **LAN 设置**，然后按 **OK** 按钮。
 2. 选择**无线直连**，然后按 **OK** 按钮。
 3. 选择**显示密码**，然后按 **OK** 按钮。
- 根据使用的设备不同，需要输入密码以将设备通过 Wi-Fi 连接到打印机。输入为打印机指定的密码。
- 如果兼容 Wi-Fi Direct 的设备设置为优先使用 Wi-Fi Direct 且该设备正连接到打印机，打印机将显示确认屏幕，询问是否允许该设备连接到打印机。
确保 LCD 屏幕上的名称与无线通信设备上的名称相同，然后选择**是**。

更改无线直连设置

按照以下步骤更改无线直连的设置。

1. 在主页屏幕上选择 **LAN 设置**，然后按 **OK** 按钮。
2. 选择**无线直连**，然后按 **OK** 按钮。
3. 选择**设置**，然后按 **OK** 按钮。



• 更改 SSID/设备名称

更改无线直连的标识符(SSID)。

标识符(SSID)是兼容 Wi-Fi Direct 的设备上显示的打印机名称(设备名称)。

请按照以下步骤更改标识符(SSID)。

◦ 手动设置

1. 按 **OK** 按钮转到输入屏幕。
2. 输入标识符或打印机名称。
3. 确认输入的内容，然后选择 **OK**。

◦ 自动设置

1. 选择**自动更新**。
2. 检查显示的信息，然后选择**是**。

• 更改密码

更改无线直连的密码。

◦ 手动设置。

1. 选择**手动更改**。
2. 按 **OK** 按钮转到输入屏幕。
3. 输入新密码(10 个字符)。
4. 确认输入的内容，然后选择 **OK**。

◦ 自动设置

1. 选择**自动更新**。
2. 检查显示的信息，然后选择**是**。

• 确认连接请求

更改兼容 Wi-Fi Direct 的设备连接到打印机时的确认屏幕设置。

如果要打印机显示兼容 Wi-Fi Direct 的设备正在连接到打印机的通知屏幕，请选择**是**。

▶▶▶ 重要事项

- 为防止未经授权的访问，建议应选择该设置以显示确认屏幕。

▶▶▶ 注释

- 如果更改打印机的无线直连设置，请同时更改设备的无线路由器设置。

IJ Network Device Setup Utility(Windows)

- ▶ IJ Network Device Setup Utility
- ▶ 启动 IJ Network Device Setup Utility
- ▶ 诊断并修复网络设置
- ▶ 执行/更改网络设置
- ▶ 不支持诊断并修复功能的型号列表
- ▶ 不支持通过 USB 连接进行 IPv6 配置的型号列表

IJ Network Device Setup Utility

使用 IJ Network Device Setup Utility 可诊断或修复网络状态，并在网络上执行打印机设置。

IJ Network Device Setup Utility 可用于：

- 在网络上搜索打印机，并对检测到的打印机执行初始网络设置
- 通过使用 USB 电缆线连接打印机和计算机以执行初始网络设置(对部分型号不可用)
- 更改打印机网络设置
- 如果连接发生任何错误，诊断打印机和安装 IJ Network Device Setup Utility 的计算机的设置。此外，IJ Network Device Setup Utility 会修复打印机和计算机的状态(某些型号不可用)。

重要事项

- 根据使用的打印机不同，购买时已为打印机指定管理员密码。更改网络设置时，需要管理员密码进行验证。

有关详细资料：

■ 管理员密码

为了提高安全性，建议更改管理员密码。

■ [更改管理员密码](#)

- 要通过 LAN 使用打印机，请确保备有此连接类型所必需的设备，如无线路由器或 LAN 电缆线。
- 安装 IJ Network Device Setup Utility 时，请禁用防火墙的拦截功能。
- 请勿在打印过程中使用 IJ Network Device Setup Utility 更改网络设置。

启动 IJ Network Device Setup Utility

按照如下所示启动 IJ Network Device Setup Utility。

- 在 Windows 10 环境下，选择**开始 > (所有应用 >) > Canon Utilities > IJ Network Device Setup Utility**。
- 在 Windows 8.1 或 Windows 8 环境下，选择**开始**屏幕上的 **IJ Network Device Setup Utility** 以启动 IJ Network Device Setup Utility。如果**开始**屏幕上未显示 **IJ Network Device Setup Utility**，请选择**搜索**超级按钮并搜索“IJ Network Device Setup Utility”。
- 在 Windows 7 或 Windows Vista 环境下，单击**开始**并选择**所有程序、Canon Utilities、IJ Network Device Setup Utility**，然后选择 **IJ Network Device Setup Utility**。

启动 IJ Network Device Setup Utility 后，会出现一条信息。查看信息，并选择**是**。出现以下屏幕。



在显示的屏幕上选择**诊断并修复**或**打印机网络设置**。

- 如果选择**诊断并修复**:
 - [诊断并修复网络设置](#)
- 如果选择**打印机网络设置**:
 - [执行/更改网络设置](#)

诊断并修复网络设置

出现问题(如无法从网络上的打印机打印)时, IJ Network Device Setup Utility 会诊断并修复计算机设置或计算机与打印机的连接。

重要事项

- 部分型号不支持诊断并修复功能。

有关详细资料:

- [不支持诊断并修复功能的型号列表](#)

请按照以下步骤操作。

1. [启动 IJ Network Device Setup Utility。](#)
2. 查看显示的信息, 并选择是。
3. 在显示的屏幕中选择**诊断并修复**。

请按照屏幕上的说明执行操作。

注释

- 此功能检查以下项目:
 - 计算机是否已连接到路由器
 - 是否可以查看互联网上的网页
 - 是否可以在网络上检测打印机
 - 信号强度或通讯水平是否足够好(使用 Wi-Fi 时)
 - 打印机端口设置是否与网络设置相匹配

执行/更改网络设置

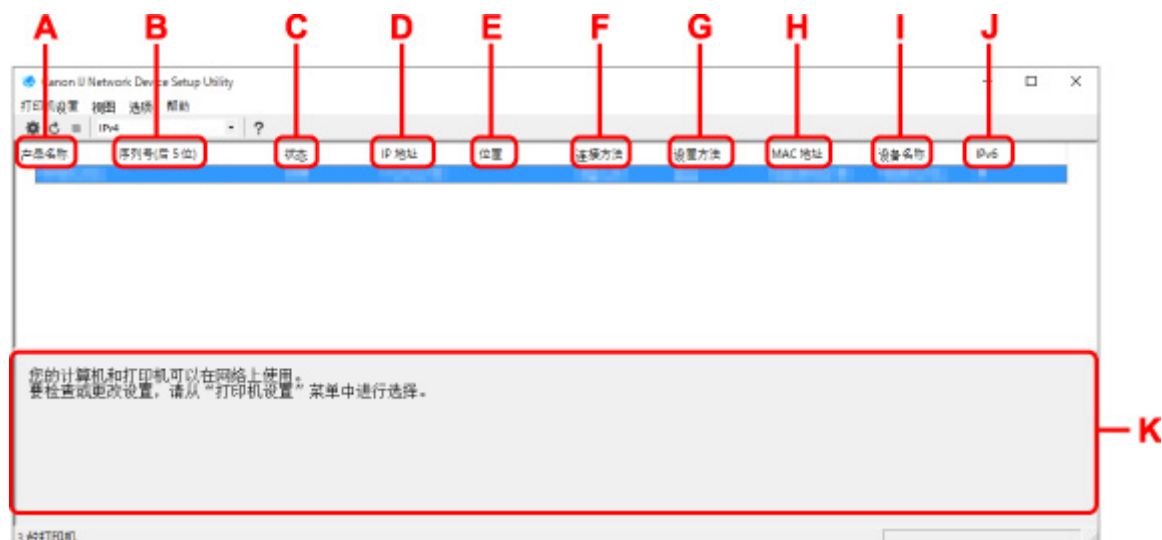
- ▶ Canon IJ Network Device Setup Utility 屏幕
- ▶ 执行网络设置

Canon IJ Network Device Setup Utility 屏幕

- [Canon IJ Network Device Setup Utility 屏幕上的项目](#)
- [Canon IJ Network Device Setup Utility 屏幕上的菜单](#)
- [Canon IJ Network Device Setup Utility 屏幕工具栏上的项目](#)


Canon IJ Network Device Setup Utility 屏幕上的项目

启动 IJ Network Device Setup Utility 并选择**打印机网络设置**后，会出现以下屏幕。屏幕上会列出检测到的打印机，并显示以下项目。



A: 产品名称

显示检测到的打印机的产品名称。如果打印机无法使用，屏幕左侧会出现以下图标。

: 打印机需要设置或尚未配置时出现。

: IP 地址与其他打印机重复时出现。

: 无法与打印机通讯时出现。

▶▶▶ 注释

- 如果未检测到要使用的打印机，请尝试设置打印机的搜索条件。

- [设置打印机的搜索条件/搜索特定打印机](#)

- 右键单击打印机将显示设置项目或要确认的项目。

B: 序列号(后 5 位)

显示打印机序列号的最后 5 位数字。

C: 状态

显示打印机状态，如下所示。

- **可用**

表示打印机可用。

- **设置完成**

执行网络设置并单击**设置**以关闭窗口后出现。

- **需要设置**

表示需要打印机才能执行 Wi-Fi 设置。

■ [执行/更改 Wi-Fi 设置](#)

- **未设置**

表示无法在网络上使用打印机或已禁用 IPv6。指定一个 IP 地址或在[网络设置...](#)上启用 IPv6。

■ [执行/更改 Wi-Fi 设置](#)

- **IP 地址覆盖**

表示 IP 与其他打印机重复。

- **未知**

表示过去识别为**可用**的打印机当前无法使用。

▶▶▶ **注释**

- 如果从工具栏上的下拉菜单中选择 **USB**，则不会显示任何信息。

D: IP 地址

显示打印机 IP 地址。如果打印机状态为**需要设置**，则不显示任何内容。

▶▶▶ **注释**

- 如果从工具栏上的下拉菜单中选择 **USB**，则会显示“-”。

E: 位置

如果打印机已注册，显示其位置。如果打印机状态为**需要设置**，则不显示任何内容。

▶▶▶ **注释**

- 如果从工具栏上的下拉菜单中选择 **USB**，则不会显示任何信息。

■ [指定打印机信息](#)

F: 连接方法

显示打印机连接方法(有线 LAN、Wi-Fi 或 USB)。

▶▶▶ **注释**

- 如果从工具栏上的下拉菜单中选择 **USB**，则会显示 **USB**。
- 如果打印机支持两种 LAN 连接方法，则打印机会被识别为两台打印机并分别显示。(序列号(后 5 位)上显示相同的号码。)
- 如果打印机不支持有线 LAN，则不会显示有线 LAN。
- 如果正在计算机上使用不支持 Wi-Fi 的 IJ Network Device Setup Utility，则不会显示 Wi-Fi。

G: 设置方法

显示打印机设置方法。

- **自动**

通过自动指定的 IP 地址使用打印机时出现。

- **手动**

打印机使用手动指定的 IP 地址时出现。

注释

- 如果从工具栏上的下拉菜单中选择 **USB**，则会显示“-”。

H: MAC 地址

显示检测到的打印机的 MAC 地址。

注释

- 如果从工具栏上的下拉菜单中选择 **USB**，则会显示“-”。

I: 设备名称

如果打印机已注册，显示其设备名称。

注释

- 如果从工具栏上的下拉菜单中选择 **USB**，则不会显示任何信息。
- 状态显示为**需要设置**的打印机不会显示。

指定打印机信息

J: IPv6

为打印机指定 IPv6 地址时，会出现**开**。

注释

- 如果从工具栏上的下拉菜单中选择 **USB**，则会显示“-”。

K: 会显示打印机状态和操作指南。

从打印机列表中选择打印机，会显示其当前状态和下一步操作说明。

Canon IJ Network Device Setup Utility 屏幕上的菜单

本节描述 Canon IJ Network Device Setup Utility 屏幕上的菜单。



A: 打印机设置菜单

打印机设置菜单

B: 视图菜单

视图菜单

C: 选项菜单

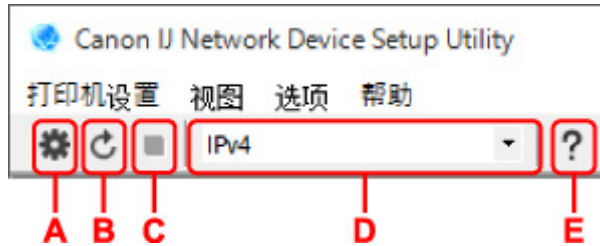
选项菜单

D: 帮助菜单

帮助菜单

Canon IJ Network Device Setup Utility 屏幕工具栏上的项目

本节描述 Canon IJ Network Device Setup Utility 屏幕工具栏上的项目。



A: 执行有线或 Wi-Fi 设置。

»»» 注释

- 此项目与打印机设置菜单中的[网络设置...](#)具有相同功能。

B: 重新检测打印机。

»»» 注释

- 此项目与视图菜单中的[更新](#)具有相同功能。

C: 停止检测打印机。

»»» 注释

- 此项目与视图菜单中的[取消](#)具有相同功能。

D: 切换打印机列表。(IPv4、IPv6 或 USB 打印机)

»»» 注释

- 此项目与视图菜单中的[切换视图](#)具有相同功能。
- 也可显示连接 USB 的打印机列表。(对部分型号不可用。)在这种情况下, 选择 **USB**。

E: 显示指南。

»»» 注释

- 此项目与帮助菜单中的[在线手册](#)具有相同功能。

执行网络设置

- ▶ 执行/更改有线 LAN 连接(以太网电缆线)设置
- ▶ 执行/更改 Wi-Fi 设置
- ▶ 指定打印机信息

执行/更改有线 LAN 连接(以太网电缆线)设置

请按照以下步骤执行/更改有线 LAN 设置。

»» 注释

- 对于部分型号，可使用 IJ Network Device Setup Utility 为连接 USB 的打印机执行网络设置。在视图菜单下的切换视图上选择 **USB** 以显示可以执行设置的打印机。

1. [启动 IJ Network Device Setup Utility。](#)

2. 查看显示的信息，并选择是。

3. 在显示的屏幕上选择打印机网络设置。

列出检测到的打印机。

4. 选择打印机以从打印机列表中执行/更改设置。

选择连接方法显示为有线 LAN、状态显示为可用的打印机，以执行设置。

可以通过 USB 连接对状态未显示为可用的打印机执行设置。


要为连接 USB 的打印机执行设置，从工具栏上的下拉菜单中选择 **USB** 并选择打印机以执行/更改设置。

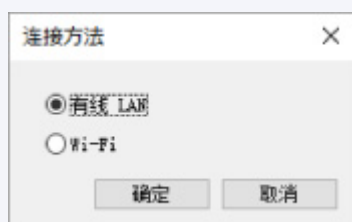
5. 在打印机设置菜单上选择网络设置…。

出现确认打印机密码屏幕。

有关密码的更多信息，请参阅管理员密码。

»» 注释

- 单击  图标可以执行/更改设置。
- 如果在步骤 4 中选择了 USB 连接的打印机，出现确认打印机密码屏幕后会出现以下屏幕



选择有线 LAN，然后单击确定。

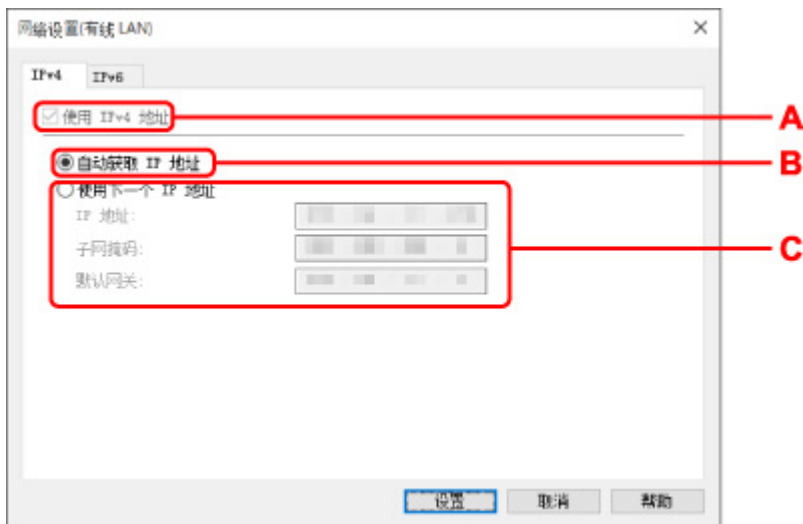
6. 输入密码并单击确定。

出现网络设置屏幕。

7. 执行/更改设置。

可以在 IPv4 和 IPv6 之间切换屏幕。单击选项卡以切换协议。

- IPv4 设置



A: 使用 IPv4 地址

始终选中。(显示为灰色状态)

B: 自动获取 IP 地址

选择此选项以使用由 DHCP 服务器自动指派的 IP 地址。必须在路由器上启用 DHCP 服务器功能。

C: 使用下一个 IP 地址

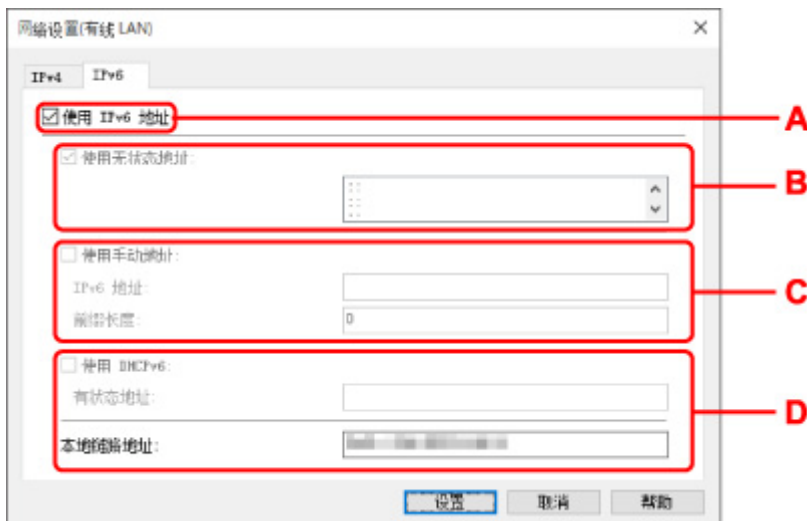
如果在使用的打印机的设置中没有可用的 DHCP 服务器功能或想要使用固定 IP 地址，选择此选项。

输入 IP 地址、子网掩码和默认网关。

• IPv6 设置

注 释

- 如果在步骤 4 中选择了 USB 连接的打印机，根据使用的打印机，可能无法进行 IPv6 设置。有关详细资料，请参见[不支持通过 USB 连接进行 IPv6 配置的型号列表](#)。



A: 使用 IPv6 地址

使用 IPv6 环境下的打印机时勾选。

B: 使用无状态地址:

使用自动指定的 IP 地址时勾选。使用兼容 IPv6 的路由器。

»» 注释

- 根据使用的打印机，此设置项目不可用。

C: 使用手动地址:

如果在使用的打印机的设置中没有可用的 DHCP 服务器功能或想要使用固定 IP 地址，选择此选项。

输入 IP 地址和 IP 地址前缀长度。

»» 注释

- 根据使用的打印机，此设置项目不可用。

D: 使用 DHCPv6:

获取使用 DHCPv6 的 IP 地址时选中。

»» 注释

- 根据使用的打印机，此设置项目不可用。

8. 单击设置。

执行/更改 Wi-Fi 设置

请按照以下步骤执行/更改 Wi-Fi 设置。

重要事项

- 执行打印机设置前，请启用简易无线连接(无电缆线设置)。(如果更改 IP 地址则不需要。)有关详细资料，请在打印机的在线手册中搜索“NR049”，并参见显示的页面。
- 如果通过 Wi-Fi 使用打印机，出于安全考虑，强烈建议使用 WPA/WPA2 执行 Wi-Fi 网络安全设置。

注释

- 对于部分型号，可使用 IJ Network Device Setup Utility 为连接 USB 的打印机执行网络设置。在视图菜单下的切换视图上选择 **USB** 以显示打印机。

1. [启动 IJ Network Device Setup Utility。](#)

2. 查看显示的信息，并选择是。

3. 在显示的屏幕上选择打印机网络设置。

列出检测到的打印机。

4. 选择打印机以从打印机列表中执行/更改设置。

选择连接方法显示为 **Wi-Fi**、状态显示为可用或需要设置的打印机，以执行设置。

可以通过 USB 连接对状态未显示为可用或需要设置的打印机执行设置。


要为连接 USB 的打印机执行设置，从工具栏上的下拉菜单中选择 **USB** 并选择打印机以执行/更改设置。

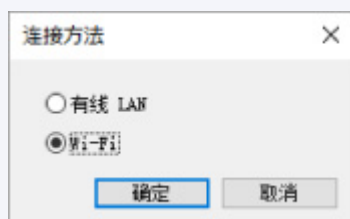
5. 在打印机设置菜单上选择网络设置...。

出现确认打印机密码屏幕。

有关密码的更多信息，请参阅管理员密码。

注释

- 单击  图标可以执行/更改设置。
- 如果在步骤 4 中选择了 USB 连接的打印机并且所选打印机兼容有线 LAN，则出现确认打印机密码屏幕后会出现以下屏幕



选择 **Wi-Fi**，然后单击**确定**。

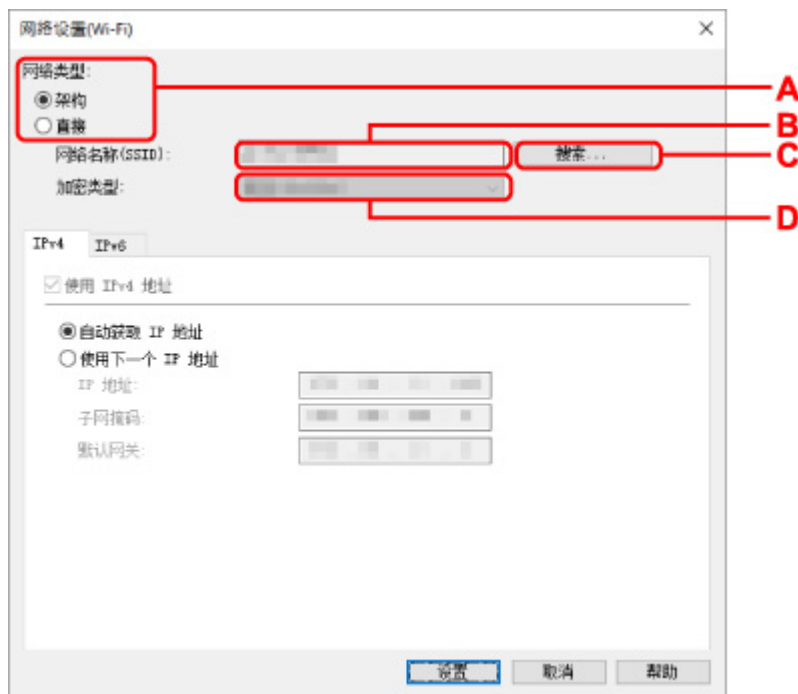
6. 输入密码并单击确定。

出现网络设置屏幕。

7. 执行/更改设置。

可以在 IPv4 和 IPv6 之间切换屏幕。单击选项卡以切换协议。

- IPv4/IPv6 设置



A: 网络类型:

选择 Wi-Fi 模式。

- 架构

使用无线路由器将打印机连接到 Wi-Fi。

- 直连

不使用无线路由器将打印机连接到无线通讯设备(智能手机或平板电脑)。

»» 注释

- 如果已启用计算机的 Wi-Fi 功能，且在步骤 4 中选择了 USB 连接的打印机，则可以根据使用的打印机选择**直接**。
- 如果选择**直接**，所有项目会显示为灰色状态并无法执行任何设置。

此外，根据操作环境，无法从计算机连接到互联网。

B: 网络名称(SSID):

显示当前使用的 Wi-Fi 的网络名称(SSID)。

无线直连状态下出现无线直连的网络名称(SSID)。

C: 搜索...

显示**检测到的无线路由器**屏幕以选择要连接的无线路由器。对于已连接到计算机的无线路由器，**通讯状态**显示为**可用**。

如果从列表中选择**通讯状态**为**未连接**的无线路由器，单击**设置**会显示无线路由器的 WPA/WPA2 或 WEP 设置屏幕。

- 如果出现 WEP 详细信息屏幕
- 如果出现 WPA/WPA2 详细信息屏幕

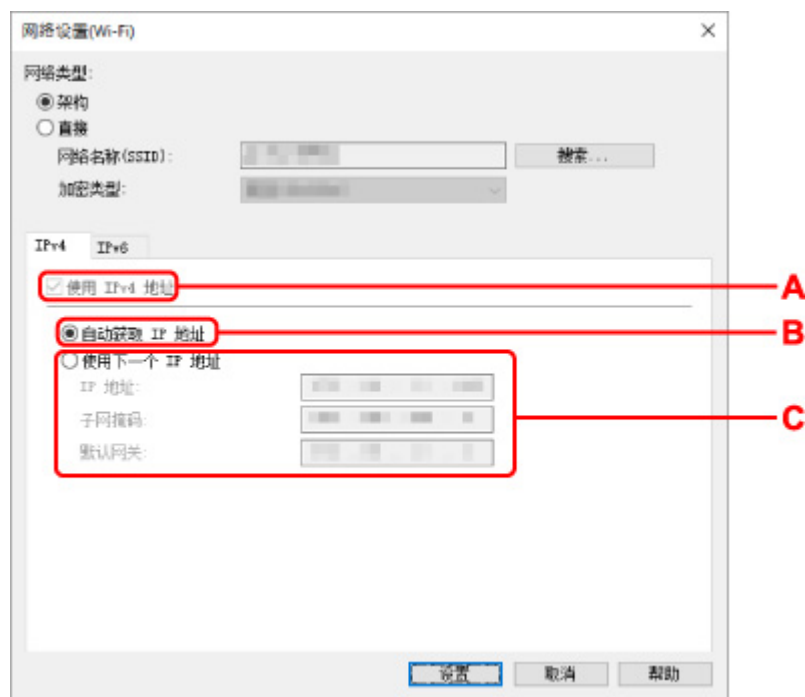
D: 加密类型:

显示在 Wi-Fi 上使用的加密方法。

• IPv4 设置

»» 注释

- 仅当**网络类型**:选择为**架构**时, 以下设置项目才可用。
如果选择**直接**, 所有项目会显示为灰色状态并无法执行任何设置。



A: 使用 IPv4 地址

始终选中。(显示为灰色状态)

B: 自动获取 IP 地址

选择此选项以使用由 DHCP 服务器自动指派的 IP 地址。必须在无线路由器上启用 DHCP 服务器功能。

C: 使用下一个 IP 地址

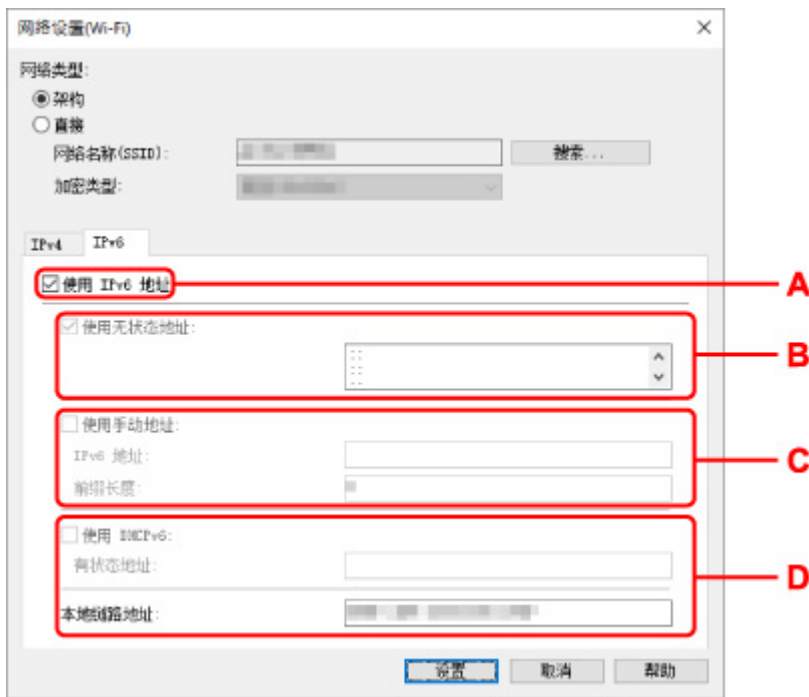
如果在使用的打印机的设置中没有可用的 DHCP 服务器功能或想要使用固定 IP 地址, 选择此选项。

输入 IP 地址、子网掩码和默认网关。

• IPv6 设置

»» 注释

- 如果在步骤 4 中选择了 USB 连接的打印机, 根据使用的打印机, 可能无法进行 IPv6 设置。
有关详细资料, 请参见[不支持通过 USB 连接进行 IPv6 配置的型号列表](#)。
- 仅当**网络类型**:选择为**架构**时, 以下设置项目才可用。
如果选择**直接**, 所有项目会显示为灰色状态并无法执行任何设置。



A: 使用 IPv6 地址

使用 IPv6 环境下的打印机时勾选。

B: 使用无状态地址:

使用自动指定的 IP 地址时勾选。使用兼容 IPv6 的路由器。

注 释

- 根据使用的打印机，此设置项目不可用。

C: 使用手动地址:

如果在使用的打印机的设置中没有可用的 DHCP 服务器功能或想要使用固定 IP 地址，选择此选项。

输入 IP 地址和 IP 地址前缀长度。

注 释

- 根据使用的打印机，此设置项目不可用。

D: 使用 DHCPv6:

获取使用 DHCPv6 的 IP 地址时选中。

注 释

- 根据使用的打印机，此设置项目不可用。

8. 单击设置。

指定打印机信息

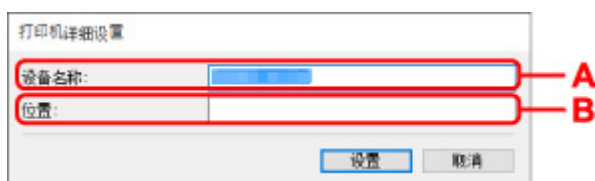
按照以下步骤指定/更改打印机位置名称或设备名称。

这些名称会出现在 **Canon IJ Network Device Setup Utility** 屏幕的**设备名称:**和**位置:**上。

注 释

- 如果从工具栏的下拉菜单中选择 **USB**，则此设置项目不可用。

1. [启动 IJ Network Device Setup Utility。](#)
2. 查看显示的信息，并选择**是**。
3. 在显示的屏幕上选择**打印机网络设置**。
列出检测到的打印机。
4. 选择打印机以指定位置名称和设备名称。
选择**状态**显示为**可用**的打印机。
5. 在**打印机设置**菜单上选择**打印机详细设置...**。
出现**确认打印机密码**屏幕。
有关密码的更多信息，请参阅**管理员密码**。
6. 输入密码并单击**确定**。
出现**打印机详细设置**屏幕。
7. 执行/更改设置。



可以使用以下设置项目。

A: 设备名称:
指定设备名称。

B: 位置:
指定位置名称。

8. 单击**设置**。

初始化网络设置

按照以下步骤初始化打印机网络设置。

1. [启动 IJ Network Device Setup Utility。](#)
2. 查看显示的信息，并选择**是**。
3. 在显示的屏幕上选择**打印机网络设置**。
列出检测到的打印机。
4. 选择打印机以初始化设置。
选择**状态**显示为**可用**的打印机。
5. 在**打印机设置**菜单上选择**重置 LAN 设置**。
出现**确认打印机密码**屏幕。
有关密码的更多信息，请参阅**管理员密码**。
6. 输入密码并单击**确定**。
7. 在显示的屏幕上单击**是**。
8. 在显示的屏幕上单击**确定**。
打印机网络设置已初始化。

更改管理员密码

请按照以下步骤更改管理员密码。

1. [启动 IJ Network Device Setup Utility。](#)

2. 查看显示的信息，并选择**是**。

3. 在显示的屏幕上选择**打印机网络设置**。

列出检测到的打印机。

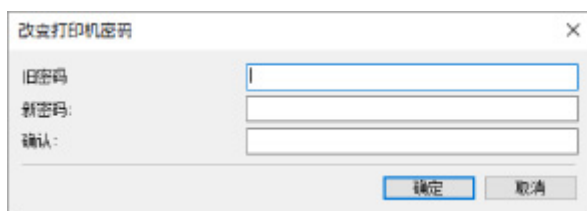
4. 选择要更改密码的打印机。

选择**状态**显示为**可用**的打印机。

5. 在**打印机设置**菜单上选择**更改密码...**。

出现**改变打印机密码**屏幕。

有关密码的更多信息，请参阅**管理员密码**。



6. 输入当前密码和新密码。

7. 在**确认:**中再次输入新密码。

8. 单击**确定**。

会更新管理员密码。

设置打印机的搜索条件/搜索特定打印机

启动 IJ Network Device Setup Utility 或更新打印机搜索时，可以设置打印机的搜索条件，或者可以搜索特定的打印机。

更改这些设置可能会检测到之前未检测到的要使用的打印机。

»» 注释

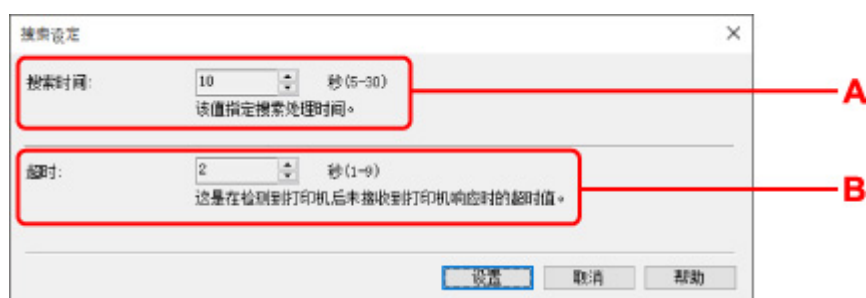
- 如果未检测到要使用的打印机，可以在操作面板上输入 IP 地址、子网掩码或默认网关，并再次搜索，从而检测到该打印机。

■ [设置打印机的搜索条件](#)

■ [搜索特定打印机](#)

设置打印机的搜索条件

1. [启动 IJ Network Device Setup Utility。](#)
2. 查看显示的信息，并选择**是**。
3. 在显示的屏幕上选择**打印机网络设置**。
列出检测到的打印机。
4. 在选项菜单上选择**搜索设定...**。
出现**搜索设定**屏幕。
5. 输入打印机的搜索条件。



A: 搜索时间:

指定搜索打印机的时间。

B: 超时:

指定未收到打印机响应的超时时间。

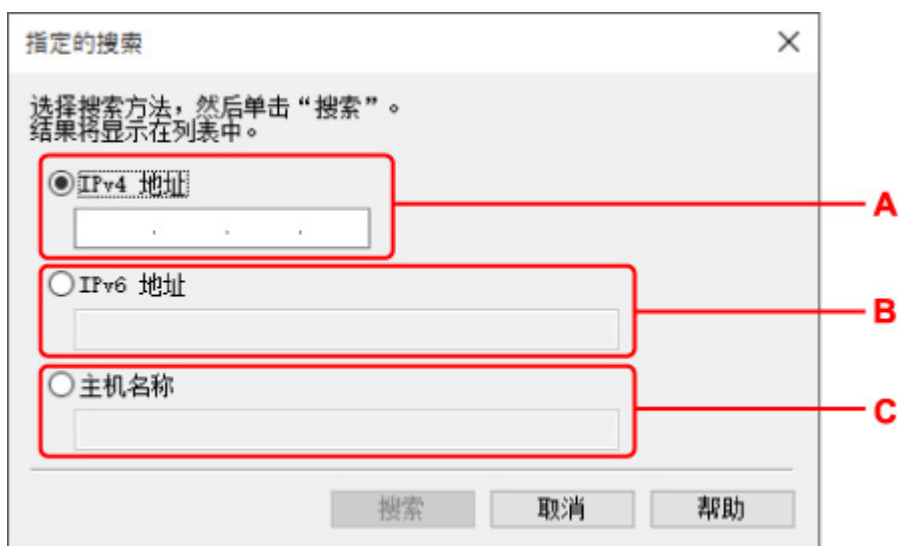
»» 注释

- 由于值较大，会更容易检测到要寻找的打印机，但搜索可能花费一些时间。

6. 单击**设置**。

搜索特定打印机

1. [启动 IJ Network Device Setup Utility。](#)
2. 查看显示的信息，并选择**是**。
3. 在显示的屏幕上选择**打印机网络设置**。
列出检测到的打印机。
4. 在选项菜单上选择**指定的搜索...**。
出现**指定的搜索**屏幕。
5. 选择要指定的项目并输入值。



A: IPv4 地址

指定要搜索的打印机的 IPv4 地址。

B: IPv6 地址

指定要搜索的打印机的 IPv6 地址。

C: 主机名称

指定要搜索的打印机的主机名称。

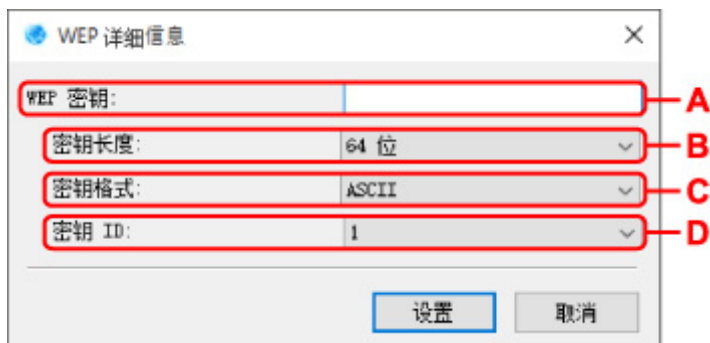
6. 单击**搜索**。

IJ Network Device Setup Utility 开始根据指定的条件进行搜索，并列出检测到的打印机。

如果出现 WEP 详细信息屏幕

如果更改无线路由器以连接到打印机，请根据无线路由器加密方法输入密码(WEP 密钥)。

1. 出现 **WEP 详细信息** 屏幕时，输入以下项目。



A: WEP 密钥:

输入与无线路由器中设置相同的密钥。

根据密钥长度和密钥格式组合的不同，可以输入的字符数和字符类型会有所不同。

		密钥长度:	
		64 位	128 位
密钥格式:	ASCII	5 个字符	13 个字符
	十六进制(十六进制)	10 位数	26 位数

B: 密钥长度:

选择 **64 位** 或 **128 位**。

C: 密钥格式:

选择 **ASCII** 或 **十六进制**。

D: 密钥 ID:

选择为无线路由器设置的密钥 ID(索引)。

2. 单击**设置**。

重要事项

- 如果打印机的加密类型切换后打印机无法与计算机通讯，请确保计算机和无线路由器的加密类型与打印机设置的加密类型匹配。

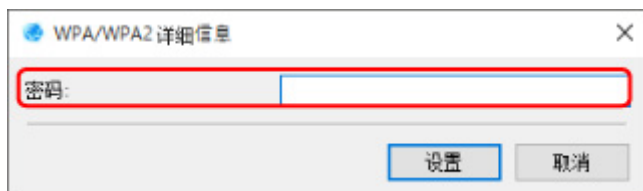
如果出现 WPA/WPA2 详细信息屏幕

如果更改无线路由器以连接到打印机，请根据无线路由器加密方法输入密码。

1. 出现 WPA/WPA2 详细信息屏幕时，输入密码。

输入为无线路由器设置的密码。此密码应为以 8 到 63 个字母数字字符的字符串或 64 位的十六进制数值。

如果不知道无线路由器密码，请参阅无线路由器附带的说明手册或联络其制造商。



2. 单击设置。

重要事项

- 如果打印机的加密类型切换后打印机无法与计算机通讯，请确保计算机和无线路由器的加密类型与打印机设置的加密类型匹配。

检查网络状态

- ▶ 检查 Wi-Fi 网络状态
- ▶ 显示计算机网络信息
- ▶ 显示打印机网络信息
- ▶ 检查打印机和无线路由器之间的连接状态
- ▶ 查看网络设置差异

检查 Wi-Fi 网络状态

请按照以下步骤检查打印机和计算机之间的无线网络状态(信号强度)。

如果 Wi-Fi 连接发生错误, 请从此菜单检查网络状态。

1. [启动 IJ Network Device Setup Utility。](#)

2. 查看显示的信息, 并选择**是**。

3. 在显示的屏幕上选择**打印机网络设置**。

列出检测到的打印机。

4. 选择打印机以从打印机列表中检查无线网络状态。

选择**状态**显示为**可用**的打印机。

5. 在**视图**菜单上选择**检查无线通讯状态**。

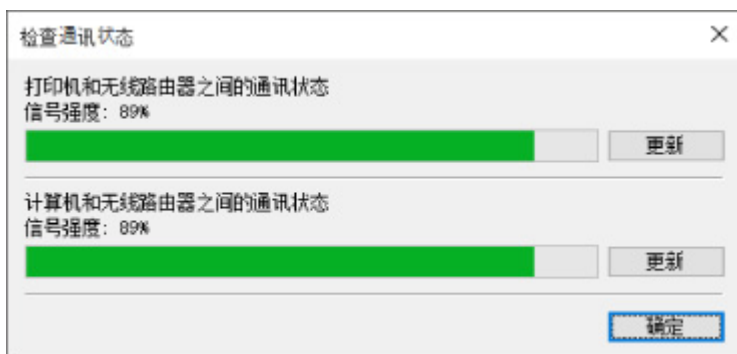
出现**确认打印机密码**屏幕。

有关密码的更多信息, 请参阅**管理员密码**。

6. 输入密码并单击**确定**。

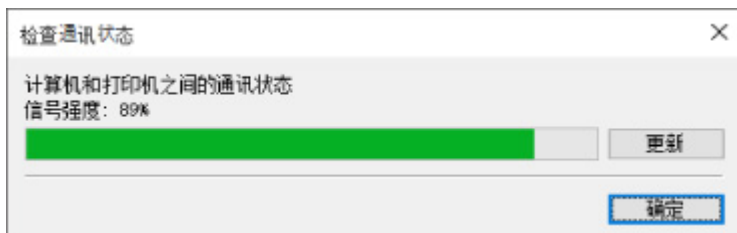
- 如果打印机通过无线路由器连接到计算机:

出现以下屏幕。



- 如果打印机通过无线直连连接到计算机:

出现以下屏幕。



单击**更新**将再次测量信号强度。

7. 单击**确定**关闭屏幕。

显示计算机网络信息

请按照以下步骤显示计算机的网络信息，该计算机与 **Canon IJ Network Device Setup Utility** 屏幕中选择的打印机相连接且安装有 IJ Network Device Setup Utility。

1. [启动 IJ Network Device Setup Utility。](#)

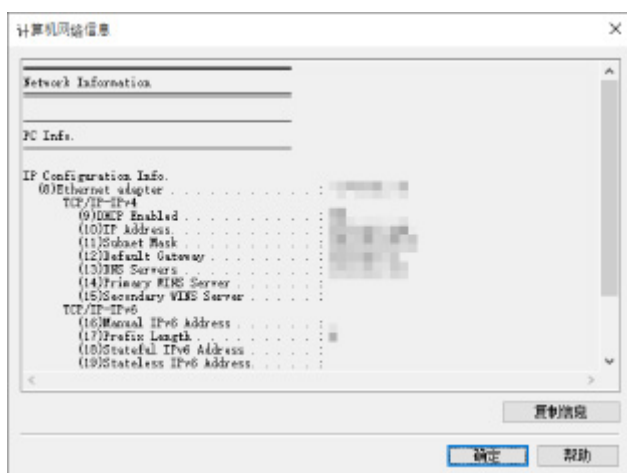
2. 查看显示的信息，并选择是。

3. 在显示的屏幕上选择**打印机网络设置**。

列出检测到的打印机。

4. 在视图菜单上选择**计算机网络信息**。

出现以下屏幕。



单击**复制信息**会复制剪贴板上的所有网络信息。

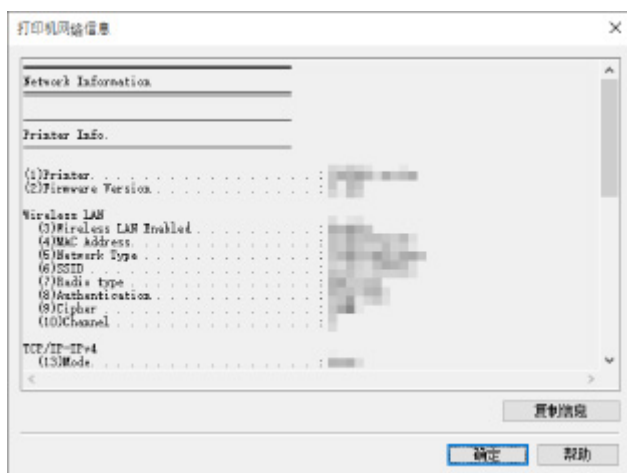
5. 单击**确定**关闭屏幕。

显示打印机网络信息

请按照以下步骤显示打印机网络信息。

1. [启动 IJ Network Device Setup Utility。](#)
2. 查看显示的信息，并选择**是**。
3. 在显示的屏幕上选择**打印机网络设置**。
列出检测到的打印机。
4. 选择打印机以从打印机列表中显示网络信息。
选择**状态**显示为**可用**的打印机。
5. 在**视图**菜单上选择**打印机网络信息**。
出现**确认打印机密码**屏幕。
有关密码的更多信息，请参阅**管理员密码**。
6. 输入密码并单击**确定**。

出现以下屏幕。



单击**复制信息**会复制剪贴板上的所有网络信息。

7. 单击**确定**关闭屏幕。

检查打印机和无线路由器之间的连接状态

请按照以下步骤检查打印机检测到的无线路由器信息。

检测打印机周围的无线路由器并列检测到的路由器。使用此菜单确保打印机放置正确。

1. [启动 IJ Network Device Setup Utility。](#)

2. 查看显示的信息，并选择是。

3. 在显示的屏幕上选择打印机网络设置。

列出检测到的打印机。

4. 选择打印机以从打印机列表中检查打印机和无线路由器之间的连接状态。

选择状态显示为可用、连接方法显示为 Wi-Fi 的打印机。

5. 在视图菜单上选择打印机和无线路由器的连接状态。

出现确认打印机密码屏幕。

有关密码的更多信息，请参阅管理员密码。

6. 输入密码并单击确定。

出现以下屏幕。



单击更新将再次搜索无线路由器。

7. 单击确定关闭屏幕。

查看网络设置差异

如果无法使用之前在网络上用过的打印机，将当前网络状态与之前能够使用打印机时的状态相比较，并检查不同之处。

1. [启动 IJ Network Device Setup Utility](#)。

2. 查看显示的信息，并选择是。

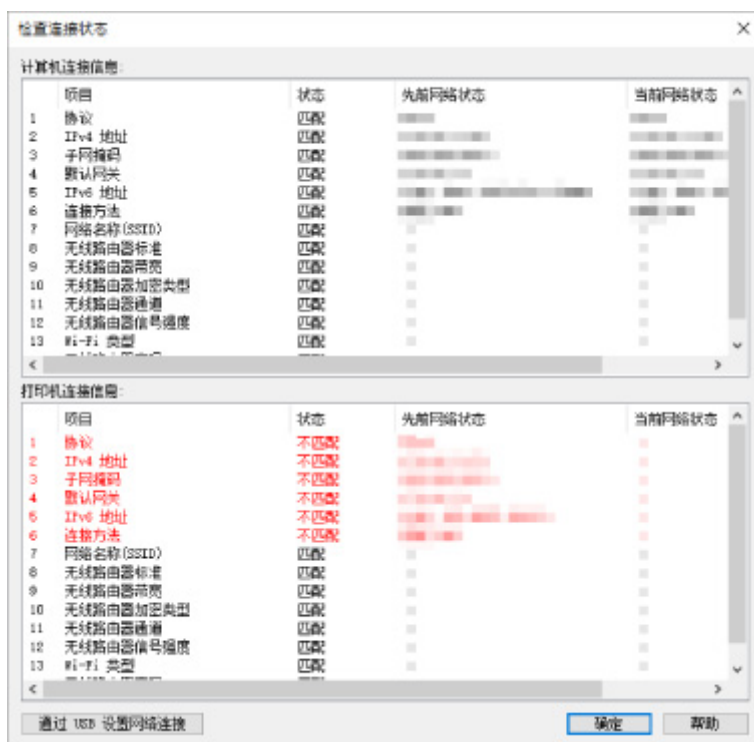
3. 在显示的屏幕上选择打印机网络设置。

列出检测到的打印机。

4. 从打印机列表中选择状态显示为未知或未设置的打印机。

5. 在视图菜单上选择检查连接状态。

出现以下屏幕。



如果之前使用打印机时的网络状态不同于当前状态，**状态**上会出现**不匹配**，并且项目显示为红色。检查红色的项目。

6. 单击**确定**关闭屏幕。

通过 USB 连接执行网络设置

显示**检查连接状态**屏幕时，可以通过使用 USB 电缆线连接打印机和计算机来执行打印机网络设置。请按照以下步骤操作。

1. 单击**通过 USB 设置网络连接**。

按照显示的信息连接打印机，使用 USB 电缆线在计算机上执行设置。确保打印机已开启。

2. 在显示的屏幕上单击**是**。

列出检测到的打印机。

3. 选择打印机以从打印机列表中执行设置。



请按照屏幕上的说明执行设置。

IJ Network Device Setup Utility 菜单

- ▶ 打印机设置菜单
- ▶ 视图菜单
- ▶ 选项菜单
- ▶ 帮助菜单

打印机设置菜单

本节描述打印机设置菜单上显示的项目。



A: 网络设置...

执行有线或 Wi-Fi 设置。

- [执行/更改有线 LAN 连接\(以太网电缆线\)设置](#)
- [执行/更改 Wi-Fi 设置](#)

▶▶▶ 注释

- 右键单击 **Canon IJ Network Device Setup Utility** 屏幕上的打印机也会显示该项目。

B: 打印机详细设置...

指定打印机设备名称和位置名称。

- [指定打印机信息](#)

C: 重置 LAN 设置

初始化打印机 LAN 设置。

- [初始化网络设置](#)

D: 更改密码...

更改为打印机指定的密码。

- [更改管理员密码](#)

E: 使用网页浏览器设置设备

检查打印机信息，或在网页上执行详细设置。

▶▶▶ 注释

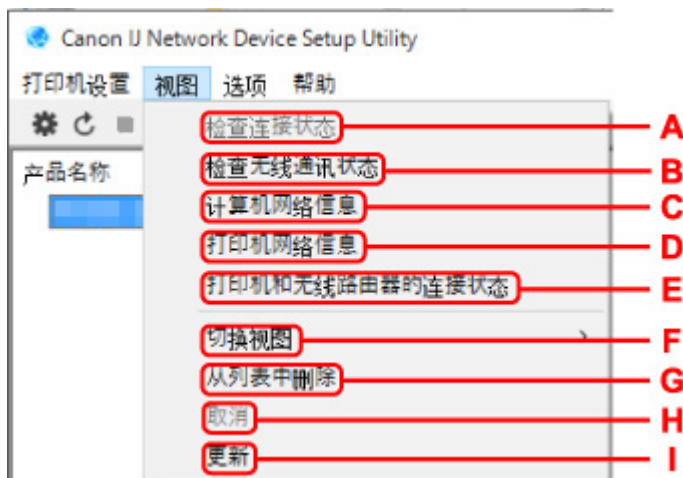
- 可以在以下操作系统和 Web 浏览器上使用该功能。
操作系统: Windows 10/Windows 8.1/Windows 7 SP1 或更高版本
Web 浏览器: Internet Explorer 11 或更高版本、Google Chrome、Mozilla Firefox
- 右键单击 **Canon IJ Network Device Setup Utility** 屏幕上的打印机也会显示该项目

F: 退出

完成 IJ Network Device Setup Utility。

视图菜单

本节描述视图菜单上显示的项目。



A: 检查连接状态

如果无法使用之前在网络上用过的打印机，将当前网络状态与之前能够使用打印机时的状态相比较，并检查不同之处。

■ [查看网络设置差异](#)

▶▶▶ 注释

• 右键单击 **Canon IJ Network Device Setup Utility** 屏幕上的打印机也会显示该项目。

B: 检查无线通讯状态

检查 Wi-Fi 通讯状态。

■ [检查 Wi-Fi 网络状态](#)

▶▶▶ 注释

• 右键单击 **Canon IJ Network Device Setup Utility** 屏幕上的打印机也会显示该项目。

C: 计算机网络信息

检查计算机网络信息。

■ [显示计算机网络信息](#)

D: 打印机网络信息

检查打印机网络信息。

■ [显示打印机网络信息](#)

E: 打印机和无线路由器的连接状态

搜索无线路由器并检查打印机检测到的无线路由器信息(无线通道、通讯状态和信号强度)。

■ [检查打印机和无线路由器之间的连接状态](#)

F: 切换视图

切换 IPv4 打印机和 IPv6 打印机之间的打印机列表。对于部分型号，可以列出连接 USB 的打印机。

▶▶▶ 注释

• 右键单击 **Canon IJ Network Device Setup Utility** 屏幕上的打印机也会显示该项目。

G: 从列表中删除


暂时从打印机列表中删除选择的打印机。

如果网络上有已删除的打印机，选择**更新**将检测到该打印机。

H: 取消

取消打印机搜索。

»» 注释

- 还可以通过单击  图标取消打印机搜索。

I: 更新

重新搜索打印机。

»» 注释

- 还可以通过单击  图标再次搜索打印机。

选项菜单

本节描述选项菜单上显示的项目。



A: 搜索设定...

指定打印机搜索标准。

- [设置打印机的搜索条件](#)

B: 指定的搜索...

按 IP 地址或主机名称搜索打印机。

- [搜索特定打印机](#)

帮助菜单

本节描述帮助菜单上显示的项目。



A: 在线手册

显示该指南。

B: Wi-Fi 连接的注意事项

显示 Wi-Fi 连接的注意事项信息。

C: 更改有线/Wi-Fi 连接

显示为选择的打印机更改 LAN 连接方法(有线或无线)的信息。

»» 注释

- 如果从工具栏上的下拉菜单中选择了 **USB**，该项目显示为灰色状态。

D: 关于

显示 IJ Network Device Setup Utility 版本信息。

不支持诊断并修复功能的型号列表

下列型号不支持 IJ Network Device Setup Utility 的“诊断并修复”功能。

- G4000 series
- PRO-500 series
- PRO-1000 series
- MB2100 series
- MB2700 series
- MB5100 series
- MB5400 series
- iB4100 series
- PRO-520
- PRO-540
- PRO-540S
- PRO-560
- PRO-560S
- PRO-2000
- PRO-4000
- PRO-4000S
- PRO-6000
- PRO-6000S
- TS9000 series
- TS8000 series
- TS6000 series
- TS5000 series
- MG3000 series
- E470 series

不支持通过 USB 连接进行 IPv6 配置的型号列表

对于以下型号，使用 IJ Network Device Setup Utility 只能为 IPv4 进行设置。（无法为 IPv6 进行设置。）

- iB4100 series
- MG3000 series
- E470 series
- G4000 series
- TS5000 series
- TS6000 series
- TS8000 series
- TS9000 series
- TR8500 series
- TR7500 series
- TS9100 series
- TS8100 series
- TS6100 series
- TS5100 series
- TS3100 series
- E3100 series
- TS300 series
- E300 series
- TR8580 series
- TS9180 series
- TS8180 series
- TS6180 series
- TR8530 series
- TR7530 series
- TS8130 series
- TS6130 series
- XK70 series
- XK50 series
- G4010 series
- G3010 series
- TR4500 series
- E4200 series
- TS6200 series
- TS6280 series
- TS6230 series
- TS8200 series
- XK80 series
- TS8280 series
- TS8230 series
- TS9500 series
- TS9580 series
- TR9530 series
- TS3300 series

- E3300 series

其它网络信息

- ▶ 技术术语
- ▶ 限制
- ▶ 防火墙
- ▶ 可能干扰 Wi-Fi 通讯的设备列表

技术术语

本节说明手册中使用的技术术语。

- [A](#)
- [B](#)
- [C](#)
- [D](#)
- [E](#)
- [F](#)
- [H](#)
- [I](#)
- [K](#)
- [L](#)
- [M](#)
- [O](#)
- [P](#)
- [R](#)
- [S](#)
- [T](#)
- [U](#)
- [W](#)

A

- **Ad-hoc**

在对等的基础上发生无线通讯的客户端计算机和打印机设置，即所有具有相同网络名称(SSID)的客户端直接进行相互通讯。不需要无线路由器。本打印机不支持临时通讯。

- **管理员密码(Admin Password)**

IJ Network Device Setup Utility 中的管理员密码用于限制访问网络用户。要访问打印机并更改打印机设置，必须输入管理密码。

- **AES**

一种加密方法。该方法对于 WPA 是可选的。美国政府机构内部采用的用于信息处理的增强式密码编译演算法。

- **验证方法(Authentication Method)**

无线路由器通过 Wi-Fi 验证打印机的方法。通过验证方法，可使无线路由器和打印机能够相互访问。

对于 WPA/WPA2，其验证方法是 PSK。

B

- **Bonjour**

自动检测网络上可连接设备的服务。

C

- **通道(Channel)**

无线通讯的常用通道。在架构模式中，会自动调整通道以匹配无线路由器的设置。本打印机支持通道 1 至 13。(根据购买国家或地区的不同，不支持通道 12 和通道 13。) 请注意，根据国家或地区的不同，可以用于 Wi-Fi 的通道数量会有所不同。

D

- **默认网关(Default Gateway)**

连接至另一个网络的机电设备如路由器或计算机。

- **默认路由器地址(Default router address)**

为路由器设置的默认 IP 地址。

- **DHCP 服务器功能(DHCP server functionality)**

网络上的打印机或个人计算机无论何时启动，路由器都会自动为其指派 IP 地址。

- **DHCPv6**

计算机连接到网络时自动指定必要信息的协议。启用 IPv6 后可以使用 DHCPv6。

- **DNS 服务器(DNS server)**

将设备名称转换为 IP 地址的服务器。手动指定 IP 地址时，请同时指定主服务器和辅助服务器的地址。

E

- **简易无线连接(无电缆线设置)(Easy wireless connect (Cableless setup))**

直接使用设备(如智能手机)而不依靠无线路由器指定无线路由器设置。

F

- **防火墙(Firewall)**

是用于阻止网络中的非法计算机访问的系统。可以使用宽带路由器、安装在计算机中的安全性软件或计算机操作系统中的防火墙功能进行阻止。

H

- **主机名称(Host name)**

为能轻松识别网络计算机或打印机而设置的名称。通常使用单字节字母数字字符。

I

- **IEEE802.11b**

Wi-Fi 的国际标准，使用最大传输量为 11Mbps 的 2.4GHz 频率范围。

- **IEEE802.11g**

Wi-Fi 的国际标准，使用最大传输量为 54Mbps 的 2.4GHz 频率范围。与 802.11b 兼容。

- **IEEE802.11n**

Wi-Fi 的国际标准，使用 2.4GHz 和 5GHz 的频率范围。即使同时使用两个或多个天线或者在同一时间使用多个通讯通道获得比以前更大的传输率，传送速度也会受已连接设备的影响。

以 600Mbps 的最大传输率，其可与在大约 12 米的半径内的多个计算机终端进行通讯。

与 802.11b 和 802.11g 兼容。

- **基础结构(Infrastructure)**

一种无线通讯方法。无线通讯设备(例如计算机或打印机)通过无线路由器连接至网络。

- **IP 地址(IP Address)**

由句点分隔为四部分的唯一数字。每个连接到互联网的网络设备都有一个 IP 地址。示例：

192.168.0.1

IP 地址通常由无线路由器或路由器的 DHCP 服务器自动指派。

- **IPv4/IPv6**

是互联网上使用的互联网络协议。IPv4 使用 32 位地址，IPv6 使用 128 位地址。

K

- **密钥格式(Key Format)**

选择 **ASCII** 或 **十六进制** 作为 WEP 密钥格式。根据所选密钥格式的不同，可用作 WEP 密钥的字符会有所不同。

- ASCII

指定一个包含字母数字字符和下划线 “_” 字符的长度为 5 或 13 的字符串。区分大小写。

- 十六进制

指定一个包含十六进制字符(0 到 9、A 到 F 以及 a 到 f)的 10 位数串或 26 位字符串。

- **密钥长度(Key Length)**

WEP 密钥的长度。选择 64 位或 128 位。密钥长度越长就可以设置越复杂的 WEP 密钥。

L

- **本地链路地址(Link local address)**

从特定前缀(当前网络信息：fe80::)自动生成的 IP 地址和从打印机 MAC 地址生成的接口标识符。

- **连接质量(Link Quality)**

无线路由器和打印机之间除噪音(干扰)外的连接状态，以 0 到 100%的数值指示。

- **LPR**

TCP/IP 网络中使用的一种平台独立的打印协议。该协议不支持双向通讯。

M

- **MAC 地址(MAC Address)**

也称为物理地址。由网络设备制造商为其指派的唯一且永久的硬件标识符。MAC 地址是由冒号分隔的长度为 48 位的十六进制数字，例如：11:22:33:44:55:66。

O

- **操作状态(Operation Status)**

指示关于打印机是否可用的状态。

P

- **前缀长度(Prefix length)**

IP 地址网络部分的位数。IPv4 的位数为 8 位至 24 位，IPv6 的位数为 64 位。

- **代理服务器(Proxy server)**

将 LAN 连接的计算机链接到互联网的服务器。使用代理服务器时，请指定代理服务器的地址和端口号。

- **PSK**

由 WPA/WPA2 授权的加密方法。

R

- **路由器(Router)**

连接到另一个网络的继电器设备。

S

- **信号强度(Signal Strength)**

打印机从无线路由器接收到的信号强度，以 0 到 100%的数值表示。

- **网络名称(SSID)(Network name (SSID))**

Wi-Fi 的特有标签。通常表示为网络名称或无线路由器名称。

网络名称(SSID)会区别各个 Wi-Fi 以防止干扰。

在同一个 Wi-Fi 上的打印机和所有客户端都必须使用相同的网络名称(SSID)以便能够相互通讯。网络名称(SSID)最长为 32 个字符, 并且由字母数字字符组成。网络名称(SSID)也可以由其网络名称指定。

- **隐形(Stealth)**

在隐形模式中, 无线路由器通过不广播其网络名称(SSID)将自身隐藏起来。客户端必须指定为无线路由器设置的网络名称(SSID)以对其进行检测。

- **有状态地址(Stateful address)**

使用 DHCPv6 从 DHCP 服务器获取的 IPv6 地址。

- **无状态地址(Stateless address)**

使用 RA(路由器公告)所含前缀和 MAC 地址自动生成的临时 IPv6 地址。IPv6 地址在无法使用 DHCP 服务器的环境中生成。

- **子网掩码(Subnet Mask)**

IP 地址由两部分组成, 网络地址和主机地址。子网掩码用于从 IP 地址计算出子网掩码地址。子网掩码通常由无线路由器或路由器的 DHCP 服务器自动指派。

示例:

IP 地址: 192.168.127.123

子网掩码: 255.255.255.0

子网掩码地址: 192.168.127.0

T

- **TCP/IP**

一组用于连接互联网或 LAN 上的主机的通讯协议。该协议允许不同的终端机相互通讯。

- **TKIP**

由 WPA/WPA2 授权的加密协议。

U

- **USB**

为“热交换”设备设计的串行接口, 无须关闭电源即可进行插拔。

W

- **WCN (Windows Connect Now)**

运行 Windows Vista 或更高版本的用户可以通过无线网络(WCN-NET)直接获得设置信息。

- **WEP/WEP 密钥(WEP/WEP Key)**

由 IEEE 802.11 授权的加密方法。用于加密和解密通过无线网络发送的数据的共享安全性密钥。本打印机支持长度为 64 位或 128 位、格式为 ASCII 编码或十六进制以及数字为 1 到 4 的密钥。

- **Wi-Fi**

对基于 IEEE 802.11 规格的 Wi-Fi 产品的互用性进行认证的国际联盟。

本打印机为 Wi-Fi 授权的产品。

- **无线直连(Wireless Direct)**

在没有无线路由器的环境中，打印机会用作无线路由器来连接外部无线通讯设备(如计算机、智能手机或平板电脑)。使用无线直连，最多可以将 5 台设备连接至打印机。

- **无线 LAN(Wireless LAN)**

通过无线技术而非实体缆线连接的网络，如 Wi-Fi。

- **无线路由器(Wireless Router)**

从无线客户端/打印机接收信息并将信息转播的无线电收发器或基站。这是结构网络中所必需的。

- **WPA**

由 Wi-Fi 联盟在 2002 年 10 月宣告的安全性架构。其安全性比 WEP 有所增强。

- 验证

WPA 定义以下验证方法：PSK(可以无需验证服务器直接使用)和 WPA-802.1x(需要验证服务器)。

本打印机支持 WPA-PSK。

- 密码

此加密密钥用于执行 WPA-PSK 认证。

此密码应为以 8 到 63 个字母数字字符的字符串或 64 位的十六进制数值。

- **WPA2**

作为 WPA 的更高版本，由 Wi-Fi 联盟在 2004 年 9 月发布的安全性架构。通过高级加密标准(AES)提供了更强的加密机制。

- 验证

WPA2 定义以下验证方法：PSK(可以无需验证服务器直接使用)和 WPA2-802.1x(需要验证服务器)。

本打印机支持 WPA2-PSK。

- 密码

此加密密钥用于执行 WPA2-PSK 验证。

此密码应为以 8 到 63 个字母数字字符的字符串或 64 位的十六进制数值。

- **WPS (Wi-Fi Protected Setup)**

WPS 是用于简化并安全地建立无线网络的标准。

Wi-Fi Protected Setup 使用两种主要方法：

PIN 输入：用于所有 WPS 认证设备的强制性设置方法

单键加密(PBC)：硬件上的实际按钮或通过软件中的模拟按钮。

限制

如果通过 Wi-Fi 使用打印机，出于安全考虑，强烈建议使用 WPA/WPA2 执行 Wi-Fi 网络安全设置。无法保证与不符合 Wi-Fi 标准的产品之间无线通讯。

连接过多的计算机可能会影响打印机性能，例如打印速度。

如果使用无线直连的打印机，则无法执行以下设置：

- 手动指定 IP 地址
- 启用/禁用 IPv6

防火墙

防火墙是安装在计算机中或计算机操作系统中的安全软件的一项功能，也是一种用于防止未经授权访问网络的系统。

启用防火墙功能时的注意事项

- 防火墙功能可能会限制打印机和计算机之间的通讯。这样可能会禁用打印机设置和通讯。
- 在进行打印机设置时，根据安全软件或操作系统中的防火墙功能的不同，可能会出现启用或禁用通讯的提示信息。如果出现该提示信息，请选择启用通讯。
- 在使用 IJ Network Device Setup Utility 时，根据安全软件的防火墙功能的不同，可能会出现启用或禁用通讯的提示信息。如果出现该提示信息，请选择启用通讯。
- 如果无法设置打印机，暂时禁用安全软件或操作系统的防火墙功能。

重要事项

- 如果禁用了防火墙功能，请将局域网从 Internet 断开。
- 某些应用程序(如网络配置软件)会覆盖防火墙设置。请预先检查应用程序的设置。
- 如果将所使用的打印机设置为**自动获取 IP 地址**，则每当打印机连接到网络时 IP 地址都会更改。根据防火墙设置的不同，这样可能会禁用打印机设置和通讯。在这种情况下，请更改防火墙设置或为打印机指定一个固定 IP 地址。可以使用 IJ Network Device Setup Utility 设置 IP 地址。

■ [执行/更改有线 LAN 连接\(以太网电缆线\)设置](#)

■ [执行/更改 Wi-Fi 设置](#)

为打印机指定固定 IP 地址时，需要指定一个计算机能够与之通讯的 IP 地址。

注释

- 有关操作系统防火墙的设置或安全软件防火墙设置的详细资料，请参阅计算机或软件的说明手册或联系其制造商。

可能干扰 Wi-Fi 通讯的设备列表

通过 Wi-Fi 使用打印机时，位于打印机或无线路由器附近的以下设备可能造成无线电频率干扰并影响打印机和无线路由器的连接。无线电频率干扰可能造成发送打印作业或打印的速度降低。

- 微波炉
- 婴儿监护器
- 无线鼠标
- 无线键盘
- 无线耳机/头戴式耳机
- 无线摄像头(如监控摄像头)

建议采取以下措施以避免无线电频率干扰。

- 将以上设备放置于尽量远离打印机或无线路由器的地方。
- 暂时关闭和停止使用这些设备。

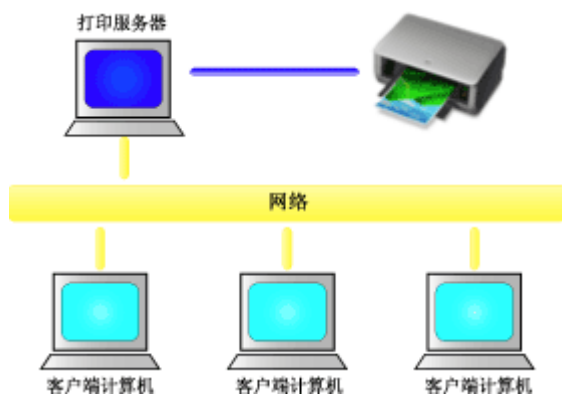
找不到通过 USB 连接的打印机

在 Windows 7 中，如果在检测通过 USB 连接的打印机过程中 Windows 开始更新，或者在 Windows 更新过程中开始检测打印机，则可能需要一段时间才能找到打印机。

请等待片刻。这并非故障。

在网络上共享打印机(Windows)

当在网络环境中使用计算机时，可以从共享同一打印机的多台计算机打印文档。



- [设置共享打印机](#)

本节描述如何设置打印服务器和客户端。

注釋

- 连接到网络中的各计算机的 Windows 版本并不要求相同。

相关主题

- [打印机共享的限制](#)

设置共享打印机

在打印服务器上设置打印机驱动程序的共享。然后从客户端设置与打印服务器的连接。

1. 在打印服务器系统上[安装打印机驱动程序](#)

2. 显示设备和打印机窗口

选择控制面板 -> 硬件和声音(硬件) -> 设备和打印机。

显示设备和打印机窗口。

3. 单击要共享的打印机型号名称的图标

按 Alt 键，然后从显示的文件菜单中选择打印机属性 -> 共享选项卡。

重要事项

- 启动软件并执行安装或卸载时，可能会出现确认或警告对话框。当需要管理权限以执行任务时，会出现该对话框。当您以计算机管理员帐户登录时，单击是(或继续、允许)以继续。有些应用程序需要计算机管理员帐户才能继续。在这种情况下，请切换到管理员帐户，然后重新开始操作。

4. 设置共享

根据需要，在共享选项卡上选中(或选择)共享这台打印机，设置共享名称，然后单击确定。

5. 如果打印服务器和客户端具有不同的体系结构(32 位或 64 位)，请安装附加驱动程序

1. 显示设备和打印机、打印机或打印机和传真窗口。

2. 选择打印机图标，单击打印服务器属性，然后选择驱动程序选项卡。

3. 单击添加…。

4. 当显示添加打印机驱动程序向导窗口时，单击下一步。

5. 如果打印服务器具有 32 位体系结构，选择 x64。如果打印服务器具有 64 位体系结构，选择 x86。然后单击下一步。

6. 单击从磁盘安装…。

7. 在从磁盘安装窗口中，打开已下载打印机驱动程序的“Driver”文件夹，指定“inf”文件，然后单击确定。

注释

- 如果打印机服务器为 32 位，请将其指定为“xxxxxxx3.INF”。如果为 64 位，请将其指定为“xxxxxxx6.INF”。

8. 选择要使用的打印机，单击**下一步**。

»» 注释

- 如果显示错误信息，则选择其他打印机。

9. 单击**完成**

打印服务器系统上的设置完成。下一步，设置客户端系统。

6. 在客户端，打开 Explorer，双击要共享的打印机的图标

7. 请按照窗口上的说明安装打印机驱动程序

客户端系统上的设置完成。

即使在不同客户端执行设置时，也请遵循相同的步骤 6 和步骤 7。

打印机共享的限制

当在网络环境中使用打印机时，会存在一些限制。请确认所使用环境的限制。

设置打印机共享的限制

- 如果从**添加打印机**安装驱动程序时要求指定“ntprint.inf”，请按如下所示指定文件：
 1. 在打印服务器和具有不同体系结构的客户端上启动 Explorer，将以下路径粘贴到地址栏，在键盘上按 Enter 键：
%windir%\system32\driverstore\
 2. 右键单击 **FileRepository** 文件夹并单击**属性**。
 3. 单击**共享**选项卡上的**共享**。
 4. 在打印服务器上显示的信息窗口中，指定在步骤 3 中共享的文件夹中的“ntprint.inf_xxxxxxx”，然后单击**确定**。
如果存在多个副本，选择更新日期和时间最新的文件。

共享和使用打印机的限制

- 可能会出现打印完成的信息。要禁止此消息出现，请遵循以下步骤操作。
 1. 在客户端系统的**控制面板** -> **硬件和声音(硬件)** -> **设备和打印机**窗口，选择打印机，然后单击命令栏上的**打印服务器属性**。
 2. 不选中**高级**选项卡上的**显示网络打印机的信息通知**，然后重新启动计算机。
- 双向通信功能被禁用且正确的打印机状态可能不会被识别。
如果客户端用户打开打印机驱动程序属性对话框，然后在**端口**选项卡上取消选中**启用双向支持**复选框并单击**确定**，则打印服务器的双向通信功能也将被禁用。
在这种情况下，在打印服务器系统和客户端系统都选中**启用双向支持**复选框。
- 从客户端系统打印时，无法使用 Canon IJ 预览。
- 当无法从客户端系统适当地设置**维护**选项卡上的功能时，那么它们可能会被置灰。在这种情况下，请从打印服务器上更改设置。
当更改打印服务器的设置时，您需要从客户端系统删除共享打印机的图标，然后再次在客户端系统指定共享设置。
- 如果在客户端上安装的驱动程序与打印服务器上安装的驱动程序相同，则可能会自动创建网络打印机图标。
- 如果从客户端将文档打印到共享打印机时发生错误，Canon IJ 状态监视器的错误信息将同时显示在客户端和打印服务器上。如果正常打印输出文档，Canon IJ 状态监视器将仅显示在客户端。

用于获得更高打印质量的调整

- ▶ 对齐打印头
- ▶ 手动对齐打印头

对齐打印头

如果规则的线条打印后没有对齐或打印效果不理想，请调整打印头位置。

»» 注释

- 建议在对齐打印头时使用与打印时相同的纸张类型。
- 如果剩余墨水量不足，则不会正确打印打印头对齐页。

[更换墨水量低的墨水盒。](#)

需要准备：两张 A4 或 Letter 尺寸的纸张

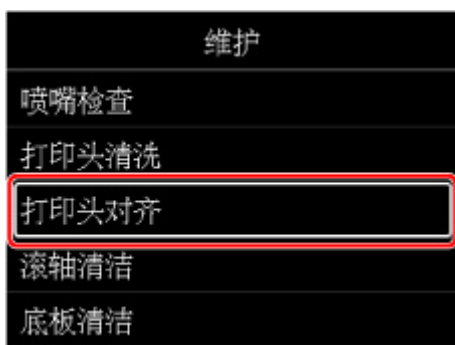
1. [确认打印机是否已开启。](#)

2. 在主页屏幕上选择**维护**。

■ [LCD 屏幕和操作面板](#)

将出现**维护**屏幕。

3. 选择**打印头对齐**。



将出现**打印头对齐**屏幕。

4. 选择**自动**。



将出现**确认**屏幕。

5. 选择**是**。

将出现介质类型选择屏幕。

6. 选择要使用的纸张。

7. 将准备好的纸张装入信息中指定的纸张来源。

如果纸张来源为手动进纸托盘，请一次装入一张纸。

■ [在上端进纸盘中装入纸张](#)

■ [在手动进纸托盘中装入纸张](#)

8. 选择 OK。

打印完打印头对齐页后，打印头将自动对齐。

此过程大约需要 2 到 3 分钟。

»» 注释

- 如果打印头自动对齐失败，LCD 屏幕上会显示错误信息。

■ [出现错误时](#)

9. 出现完成信息时，选择 OK。

»» 注释

- 如果按以上所述调整打印头位置后打印结果仍不令人满意，请[手动对齐打印头](#)。

手动对齐打印头

如果打印结果不如预期，例如打印的格线未对齐，请尝试在自动打印头对齐后手动对齐打印头。

»» 注释

- 手动调整打印头位置前，请先自动调整打印头位置。有关自动调整打印头位置的详细资料，请参见[对齐打印头](#)。
- 建议在对齐打印头时使用与打印时相同的纸张类型。

需要准备：一张 A4 或 Letter 尺寸的纸张

1. [确认打印机是否已开启。](#)

2. 在主页屏幕上选择**维护**。

■ [LCD 屏幕和操作面板](#)

将出现**维护**屏幕。

3. 选择**打印头对齐**。



将出现**打印头对齐**屏幕。

4. 选择**手动**。



将出现**确认**屏幕。

5. 选择**是**。

»» 注释

- 如果未执行自动打印头对齐，会出现一条信息。在这种情况下，选择**是**，按 **OK** 按钮，然后[执行自动打印头对齐](#)。

将出现介质类型选择屏幕。

6. 选择要使用的纸张。
7. 将准备好的纸张装入信息中指定的纸张来源。

- [在上端进纸盘中装入纸张](#)
- [在手动进纸托盘中装入纸张](#)

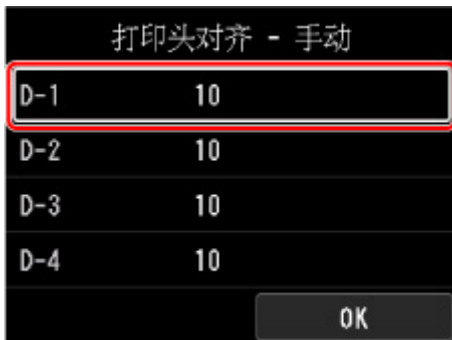
8. 选择 **OK**。

将打印打印头对齐图案。

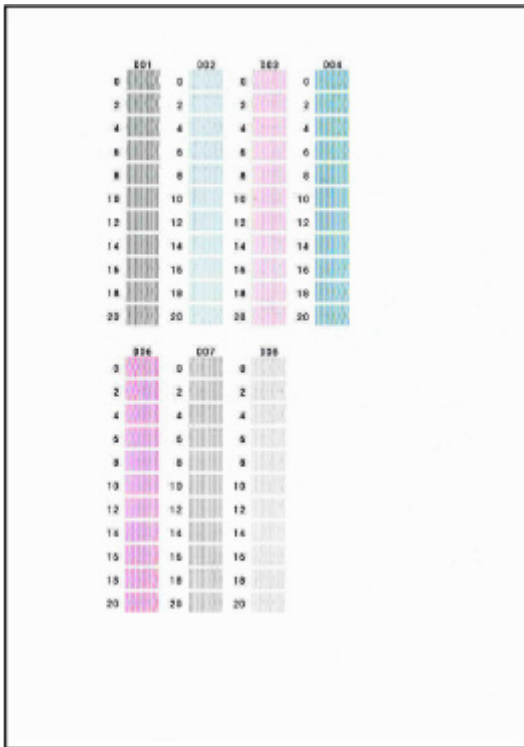
9. 显示**图案是否正确打印？**时，请确认图案是否正确打印，如果正确，选择**是**。

10. 查看信息并选择下一步。

显示打印头位置对齐调整值的输入屏幕。

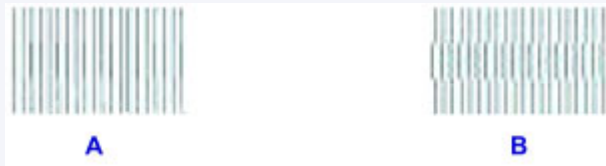


11. 对照图案并选择每列中带有直线的图案的编号。



注釋

- 对照图案并选出产生弯曲的竖直线条最少的设置。



A: 竖直线条

B: 弯曲的竖直线条

12. 重复此步骤，直至在所有列中完成输入图案编号，选择 **OK**。

13. 出现完成信息时，选择 **OK**。

维护和耗材

- ▶ 维护步骤
- ▶ 墨水盒
- ▶ 打印头
- ▶ 从计算机执行维护功能(Windows)
- ▶ 从计算机执行维护功能(macOS)
- ▶ 清洁打印机
- ▶ 其他维护

维护步骤

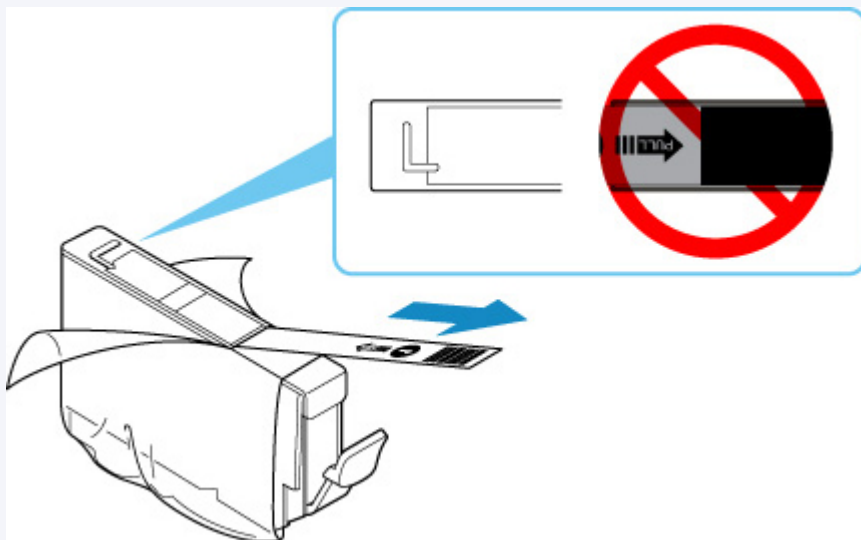
如果打印结果模糊不清、打印颜色错误或对打印结果仍不满意(例如, 打印的格线未对齐), 请执行以下维护操作。

重要事项

- 请勿冲洗或擦拭打印头和墨水盒。这样会造成打印头和墨水盒故障。

注释

- 确保橙色保护胶带没有留在墨水盒上。



- 检查墨水状态。
 - [在 LCD 屏幕上检查墨水状态](#)
- 对于 Windows, 在打印机驱动程序设置中提高打印质量可能会改善打印结果。
 - [更改打印质量及修正图像数据](#)

打印结果模糊或不均匀时:

步骤 1 打印喷嘴检查图案。

从打印机

- [打印喷嘴检查图案](#)

从计算机

- 对于 Windows:
 - [打印喷嘴检查图案](#)
- 对于 macOS:
 - [打印喷嘴检查图案](#)

步骤 2 [检查喷嘴检查图案](#)。

如果图案中有线条缺失或者水平条纹：



|| 步骤 3 清洗打印头。

从打印机

■ 清洗打印头

从计算机

- 对于 Windows：

■ 清洗打印头

- 对于 macOS：

■ 清洗打印头

清洗打印头后，打印并检查喷嘴检查图案：➡ [步骤 1](#)

如果执行两次步骤 1 至步骤 3 后问题仍未解决：



|| 步骤 4 深度清洗打印头。

从打印机

■ 深度打印头清洗

从计算机

- 对于 Windows：

■ 清洗打印头

- 对于 macOS：

■ 清洗打印头

▶▶▶ 注释

- 如果已执行至步骤 4 后问题仍未解决，关闭电源并在 24 小时后再次深度清洗打印头。
如果问题仍未解决，打印头可能已损坏。请与最近的 Canon 服务中心联系以要求维修。

打印结果不均匀(例如规则的线条未对齐)时：

|| 步骤 对齐打印头。

墨水盒

- ▶ 墨水
- ▶ 更换墨水盒
- ▶ 在 LCD 屏幕上检查墨水状态

墨水

墨水可用于打印以外的其他多种用途。

墨水可用于除打印外的其他用途。

安装捆绑墨水盒后第一次使用 Canon 打印机时，打印机将消耗少量墨水以通过向打印头喷嘴填充墨水来启用打印。因此，第一个墨水盒可以打印的纸张数量少于后续的墨水盒。

小册子或网站中所述的打印成本不是基于第一个墨水盒/墨盒的消耗数据，而是基于后续的墨水盒/墨盒的消耗数据。

墨水有时也用于保持最佳打印质量。

为保持打印机的性能，Canon 打印机将根据自身情况自动执行清洗。打印机执行清洗时，将消耗少量墨水。在这种情况下，可能消耗所有颜色的墨水。

[清洗功能]

清洗功能将帮助打印机从喷嘴吸取气泡或墨水本身，这样可以防止打印质量降低或喷嘴堵塞。

▶▶▶ 注释

- 为维持打印机性能而定期并自动执行的打印准备操作和清洗打印头操作，会消耗墨水。因此，也可能消耗未使用的打印用墨水。

黑白打印使用彩色墨水。

根据打印纸张的类型或打印机驱动程序的设置，黑白打印可能会使用黑色墨水以外的墨水。因此，即使在进行黑白打印时也会消耗彩色墨水。

更换墨水盒

当出现剩余墨水警告或错误时，LCD 屏幕上将出现信息以提示出现错误。在这种状态下，打印机无法进行打印。根据信息采取适当措施。

■ 出现错误时

▶▶▶ 注释

- 如果在墨水量充足的状态下打印结果变得暗淡或出现白色条纹，请参见[维护步骤](#)。
- 有关处理墨水盒的注意事项，请参见[墨水盒注意事项](#)。

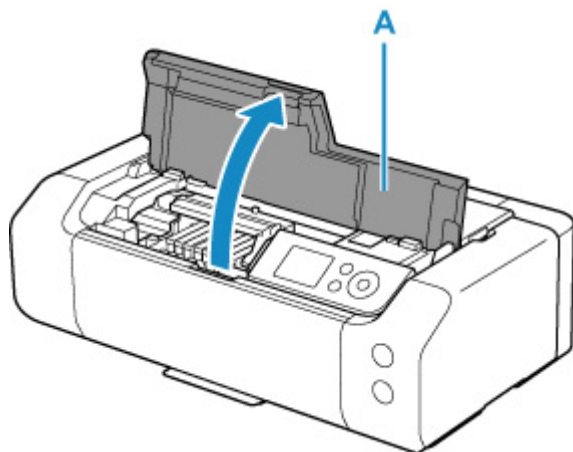
更换步骤

需要更换墨水盒时，请按照以下步骤操作。

1. [确认打印机是否已开启。](#)

2. 打开上盖(A)。

打印头固定器移至更换位置。



⚠ 注意

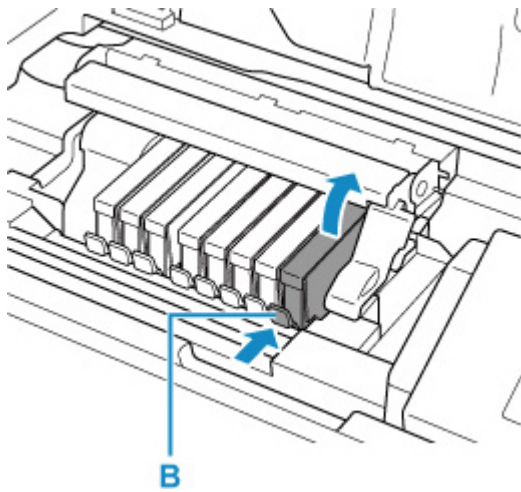
- 请勿捏着打印头固定器强行将其停止或移动。打印头固定器完全停止之前，请勿触摸。

▶▶▶ 重要事项

- 请勿触摸打印机内部的金属部件或其他部件。
- 如果上盖打开的时间超过 10 分钟，打印头固定器会移到右侧。在这种情况下，请关闭并重新打开上盖。

3. 取出墨水已用完的墨水盒。

推动卡子(B)并抬起墨水盒将其取出。



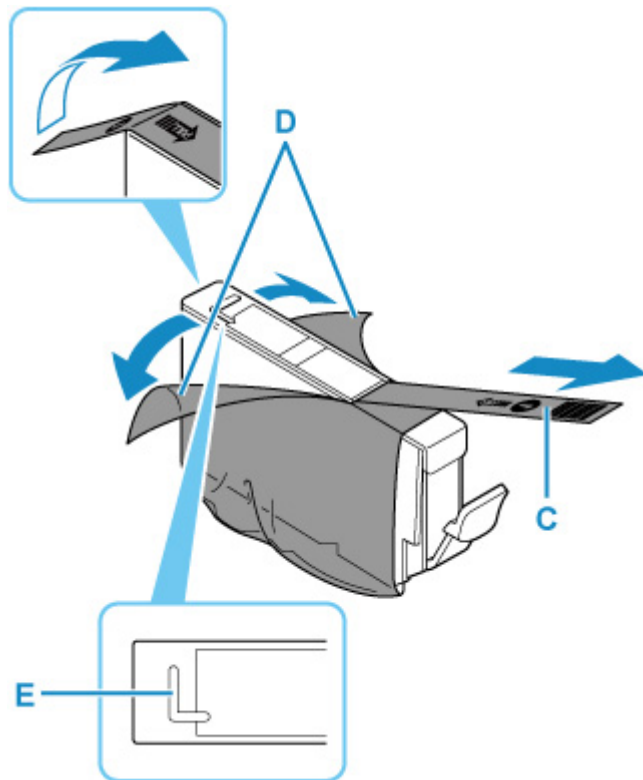
重要事项

- 请勿触摸墨水盒以外的其他部件。
- 小心处理墨水盒，以免弄脏衣物或四周。
- 请根据当地处理耗用品的法律和法规，弃置空墨水盒。

注释

- 请勿同时取出两个或更多墨水盒。更换两个或更多墨水盒时，请务必逐个更换墨水盒。

4. 从包装中取出新的墨水盒，完全取下橙色胶带(C)，然后完全取下保护薄膜(D)。

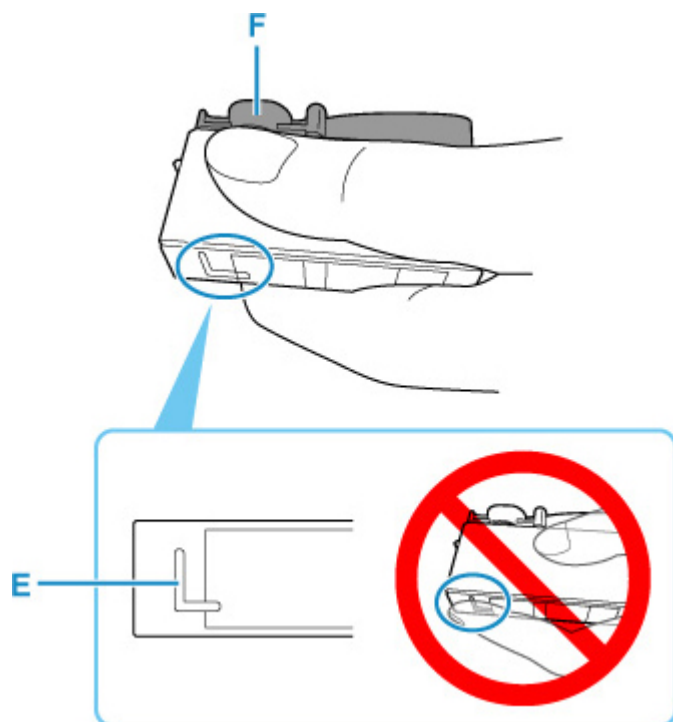


重要事项

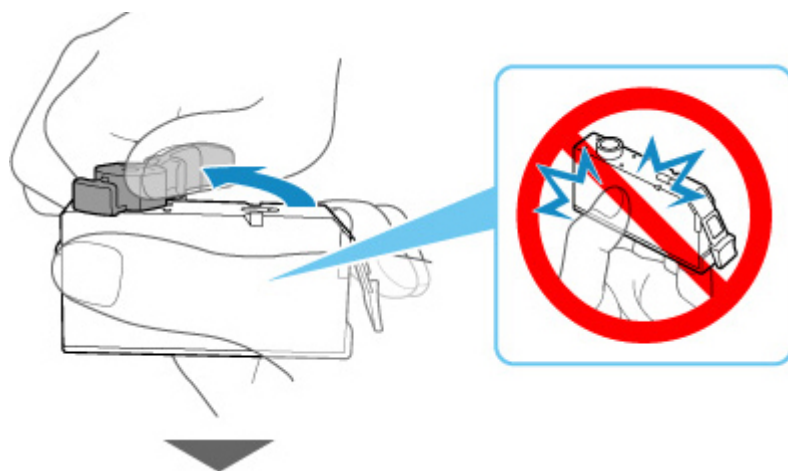
- 小心处理墨水盒。请勿将其掉落或向其施加过大的压力。

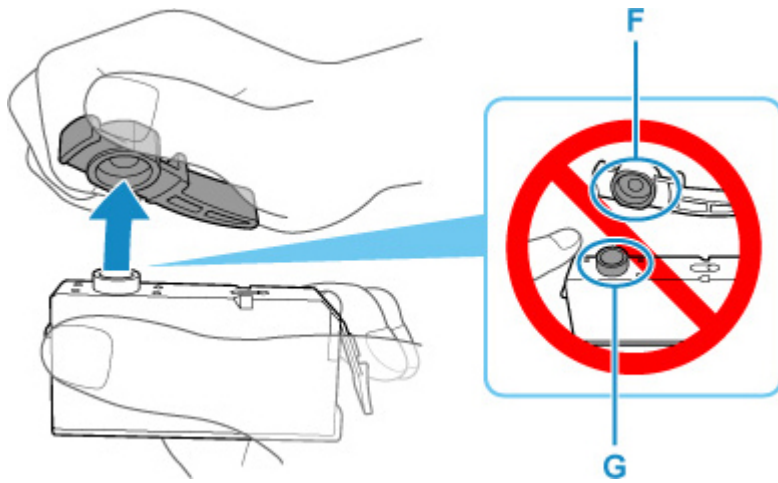
- 如果橙色胶带仍留在 L 形气孔(E)上，墨水可能会溅出或打印机可能无法正确打印。

5. 使橙色保护盖(F)朝上，握住墨水盒，同时注意不要阻塞 L 形气孔(E)。



6. 将橙色保护盖(F)水平扭转 90 度，将其轻轻取下。



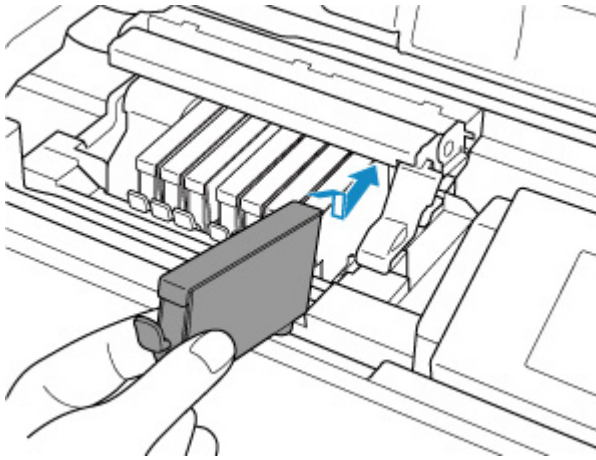


重要事项

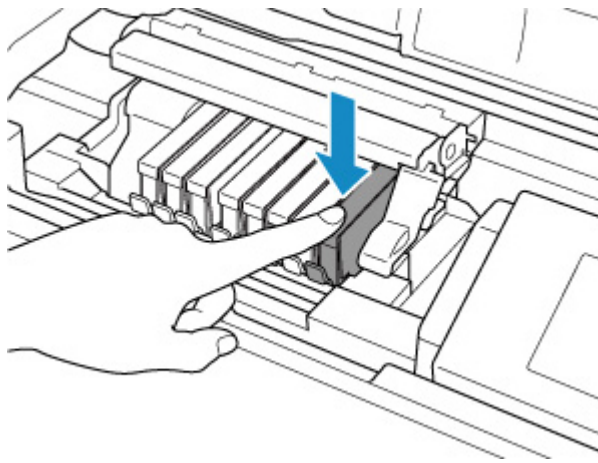
- 请勿按压墨水盒的侧面。如果在 L 形气孔(E)阻塞的情况下按压墨水盒的侧面，墨水可能会溅出。
- 请勿触摸保护盖(F)的内侧或裸露的墨水端口(G)。如果触摸这些区域，墨水可能会弄脏双手。
- 取下保护盖后，请勿将保护盖(F)重新盖上。请根据当地处理耗用品的法律和法规将其弃置。

7. 将墨水盒的前端倾斜地插入打印头。

确保墨水盒的位置与标签一致。



8. 按墨水盒上部直至墨水盒稳固地锁定到位。



重要事项

- 如果墨水盒安装位置错误，则无法进行打印。务必根据打印头固定器上的标签正确安装墨水盒。
- 所有墨水盒安装完成后才能打印。请务必安装所有墨水盒。

9. 关闭上盖。

注释

- 如果关闭上盖后，LCD 屏幕上出现错误信息，请采取适当措施。
 - [出现错误时](#)
- 更换墨水盒后开始打印时，打印机会自动开始清洗打印头。打印机完成打印头清洗之前请勿执行任何其他操作。
- 如果打印头没有对齐(打印的格线未对齐或有类似现象)，请[对齐打印头](#)。

墨水盒注意事项

重要事项

- 使用新墨水盒进行更换。安装使用过的墨水盒可能会造成喷嘴堵塞。此外，使用这样的墨水盒，打印机将无法正确提示何时更换墨水盒。
- 一旦安装墨水盒后，请勿将其从打印机中取出并裸露放置。这将造成墨水盒干涸，如果重新装入，打印机可能无法正常工作。要保持最佳打印质量，请在墨水盒开封后六个月内将其用完。

注释

- 即使打印黑白文档或指定黑白打印时，也可能会消耗彩色墨水。为保持打印机性能而必须进行打印头标准清洗和打印头深度清洗时，也会消耗多种墨水。

墨水盒中的墨水用完时，请立即更换一个新的墨水盒。

■ [墨水](#)

在 LCD 屏幕上检查墨水状态

1. 确保电源已开启，并且显示主页屏幕。

如果未显示主页屏幕，请按**主页**按钮。

2. 在主页屏幕上选择墨水状态显示区域，然后按 **OK** 按钮。

■ LCD 屏幕和操作面板



3. 检查墨水状态。

如果存在任何关于剩余墨水量的信息，区域 A 中会显示一个符号。



- ! 墨水量很少。准备一个新墨水盒。
- ✘ 墨水已用完。用新的墨水盒更换旧墨水盒。
- ? 剩余墨水量未知时会出现。

▶▶▶ 注释

- 以上屏幕显示估计墨水量。
- 要访问墨水购买网站，在此屏幕上选择**立即订购墨水**并显示 QR 码。连接到互联网的费用由客户承担。
- 选择**墨水型号编号**将显示用于检查墨水盒型号的**墨水型号编号**屏幕。
- 可以在计算机屏幕上检查墨水状态。

■ [从计算机检查墨水状态](#) (Windows)

■ [从计算机检查墨水状态](#) (macOS)

打印头

- ▶ 打印喷嘴检查图案
- ▶ 检查喷嘴检查图案
- ▶ 清洗打印头
- ▶ 深度打印头清洗

打印喷嘴检查图案

打印喷嘴检查图案以确定打印头喷嘴是否正常地喷出墨水。

»» 注释

- 如果剩余墨水量不足，则不会正确打印喷嘴检查图案。 [更换墨水量低的墨水盒。](#)

需要准备：一张 A4 或 Letter 尺寸的普通纸

1. [确认打印机是否已开启。](#)
2. 在上端进纸盘中装入一张 A4 或 Letter 尺寸的普通纸。

■ [在上端进纸盘中装入纸张](#)

3. 在主页屏幕上选择**维护**。

■ [LCD 屏幕和操作面板](#)

将出现**维护**屏幕。

4. 选择**喷嘴检查**。



将出现确认屏幕。

5. 选择**是**。

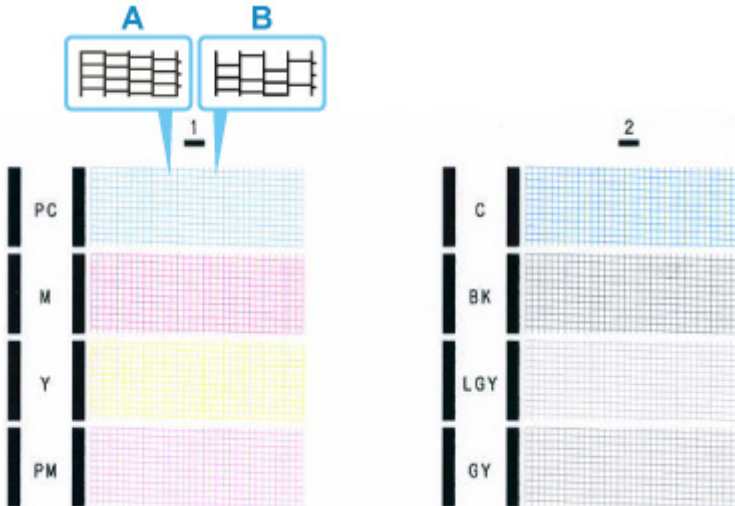
将打印喷嘴检查图案，并且 LCD 屏幕上将出现两个图案确认屏幕。

6. [检查喷嘴检查图案](#)。

检查喷嘴检查图案

检查喷嘴检查图案，并在需要时清洗打印头。

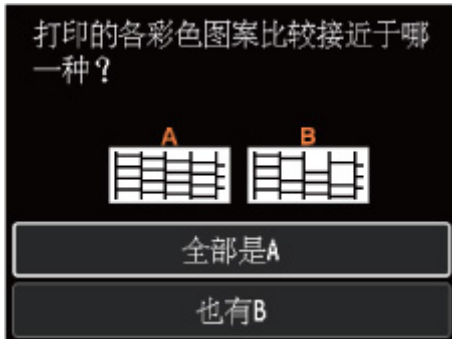
1. 查看图案中无线条缺失。



A: 无线条缺失

B: 线条缺失

2. 选择确认屏幕上更接近已打印的喷嘴检查图案的图案。



如果图案为 A 状态(无线条缺失):

不需要进行清洗。选择**全部是 A**，确认信息，然后选择 **OK**。

屏幕将返回至**维护**屏幕。

如果图案为 B 状态(有线条缺失):

需要进行清洗。选择**也有 B**，然后在清洗确认屏幕上选择**是**。

选择包含缺失线条的墨水组以执行清洁。

■ [清洗打印头](#)

如果图案中某个颜色未打印：



(示例：未打印品红色图案)

需要进行清洗。选择**也有 B**，然后在清洗确认屏幕上选择**是**。

选择未打印的墨水组以进行清洁。

■ [清洗打印头](#)

清洗打印头

如果打印的喷嘴检查图案中有线条缺失或出现水平条纹，请清洗打印头。清洗疏通喷嘴并恢复打印头状况。清洗打印头消耗墨水，因此请仅在需要时清洗打印头。

需要准备：一张 A4 或 Letter 尺寸的普通纸

1. [确认打印机是否已开启。](#)
2. 在上端进纸盘中装入一张 A4 或 Letter 尺寸的普通纸。

■ [在上端进纸盘中装入纸张](#)

3. 在主页屏幕上选择**维护**。

■ [LCD 屏幕和操作面板](#)

将出现**维护**屏幕。

4. 选择**打印头清洗**。



将出现**打印头清洗**屏幕。

5. 选择**清洗**。



将出现**清洗**屏幕。

6. 选择要清洗的墨水组。

• 全部颜色

- **图案 1:** PC / M / Y / PM
- **图案 2:** C / BK / LGY / GY

将出现确认屏幕。

7. 选择是。

打印机开始清洗打印头。

打印机完成打印头清洗之前请勿执行任何其他操作。此过程大约需要 1 分钟。

将出现图案打印确认屏幕。

8. 选择是。

将打印喷嘴检查图案。

9. [检查喷嘴检查图案](#)。

▶▶▶ 注释

- 如果清洗打印头两次后问题仍未解决，请[深度清洗打印头](#)。

深度打印头清洗

如果标准打印头清洗未改善打印质量，则深度清洗打印头。深度清洗打印头比标准清洗打印头消耗更多墨水，因此请仅在必要时深度清洗打印头。

需要准备：一张 A4 或 Letter 尺寸的普通纸

1. [确认打印机是否已开启。](#)
2. 在上端进纸盘中装入一张 A4 或 Letter 尺寸的普通纸。

■ [在上端进纸盘中装入纸张](#)

3. 在主页屏幕上选择**维护**。

■ [LCD 屏幕和操作面板](#)

将出现**维护**屏幕。

4. 选择**打印头清洗**。



将出现**打印头清洗**屏幕。

5. 选择**深度清洗**。



将出现**深度清洗**屏幕。

6. 选择要清洗的墨水组。

• 全部颜色

- **图案 1:** PC / M / Y / PM
- **图案 2:** C / BK / LGY / GY

将出现确认屏幕。

7. 选择是。

打印机开始深度清洗打印头。

打印机完成打印头深度清洗之前请勿执行任何其他操作。此过程大约需要 1 分钟。

将出现图案打印确认屏幕。

8. 选择是。

将打印喷嘴检查图案。

9. 出现完成信息时，选择 OK。

10. [检查喷嘴检查图案](#)。

如果未正确打印某种颜色，则[更换该颜色的墨水盒](#)。

如果问题未解决，关闭电源并在 24 小时后再次深度清洗打印头。

如果问题仍未解决，打印头可能已损坏。请与最近的 Canon 服务中心联系以要求维修。

从计算机执行维护功能(Windows)

- ▶ 打开维护工具(Canon IJ Printer Assistant Tool)
- ▶ 清洗打印头
- ▶ 打印喷嘴检查图案
- ▶ Canon IJ Printer Assistant Tool 的说明

打开维护工具(Canon IJ Printer Assistant Tool)

[Canon IJ Printer Assistant Tool](#) 是用于执行打印机维护或更改打印机设置的应用程序软件。

安装打印机驱动程序时，也会安装 Canon IJ Printer Assistant Tool。

要仅安装 Canon IJ Printer Assistant Tool，请访问 [Canon 网站](#) 并下载软件。

注 释

- 有关安装打印机驱动程序的详细资料，请参见“[安装打印机驱动程序](#)”。



如何启动 Canon IJ Printer Assistant Tool

可通过以下方式启动 Canon IJ Printer Assistant Tool。

- 单击打印机驱动程序**维护**选项卡中的**维护和自定格式**图标。
- 从 Windows **开始**菜单，单击**(所有应用、程序或所有程序 ->)Canon Utilities -> IJ Printer Assistant Tool**。

相关主题

- [清洗打印头](#)
- [打印喷嘴检查图案](#)
- [管理打印机电源](#)
- [降低打印机噪音](#)
- [更改打印机操作模式](#)

清洗打印头

打印头清洗功能可以疏通阻塞的打印头喷嘴。如果在墨水充足的条件下，打印结果不令人满意或无法打印特定颜色，请执行打印头清洗。



清洗

1. 打开 [Canon IJ Printer Assistant Tool](#)

2. 单击清洗

打印头清洗对话框打开后，选择要执行清洗的墨水组。
单击**最初确认项目**以显示在执行清洗前需要确认的项目。

3. 执行清洗

确认打印机是否已开启，然后单击**开始**。

打印头清洗开始。

4. 完成清洗

显示确认信息时，单击**确定**。

喷嘴检查对话框将打开。

5. 检查结果

要检查打印质量是否有所改善，请单击**打印检查图案**。要取消检查过程，请单击**取消**。

如果清洗一次打印头没有解决打印头问题，请再清洗一次。

重要事项

- 清洗会消耗少量墨水。
频繁清洗打印头会迅速耗尽打印机的墨水。仅在必要时执行清洗。



深度清洗

深度清洗比清洗更彻底。清洗两次仍不能解决打印头问题时，请执行深度清洗。

1. 打开 [Canon IJ Printer Assistant Tool](#)

2. 单击深度清洗

深度清洗对话框打开后，选择要执行深度清洗的墨水组。
单击**最初确认项目**显示在执行深度清洗前需要确认的项目。

3. 执行深度清洗

确认打印机是否已开启，然后单击**开始**。

出现确认信息时，单击**确定**。

打印头深度清洗开始。

4. 完成深度清洗

显示确认信息时，单击**确定**。

喷嘴检查对话框将打开。

5. 检查结果

要检查打印质量是否有所改善，请单击**打印检查图案**。要取消检查过程，请单击**取消**。

重要事项

- **深度清洗**比**清洗**消耗更多的墨水。
频繁清洗打印头会迅速耗尽打印机的墨水。仅在必要时执行深度清洗。

注释

- 如果在**深度清洗**之后没有改善的迹象，请关闭打印机，等待 24 小时，然后重新执行**深度清洗**。如果仍然没有改善的迹象，则墨水可能已耗尽或打印头可能磨损。有关具体应对方法的详细资料，请参见“[墨水没有喷出](#)”。

相关主题

- [打印喷嘴检查图案](#)

打印喷嘴检查图案

喷嘴检查功能可以通过打印喷嘴检查图案检查打印头是否正常工作。如果打印结果不令人满意或无法打印指定颜色，请打印此图案。



喷嘴检查

1. 打开 [Canon IJ Printer Assistant Tool](#)

2. 单击**喷嘴检查**

喷嘴检查对话框打开。

单击**最初确认项目**显示在打印喷嘴检查图案前需要确认的项目。

3. 在打印机中装入纸张

在上端进纸盘中装入一张 A4 尺寸的普通纸。

4. 打印喷嘴检查图案

确认打印机是否已开启，然后单击**打印检查图案**。

将打印喷嘴检查图案。

出现确认信息时，单击**确定**。

图案检查对话框打开。

5. 检查打印结果

检查打印结果。如果打印结果正常，单击**退出**。

如果打印件有污迹或部分内容缺失，请单击**清洗**以清洗打印头。

相关主题

■ [清洗打印头](#)

Canon IJ Printer Assistant Tool 的说明

通过 Canon IJ Printer Assistant Tool 可以执行打印机维护或更改打印机设置。



清洗

执行打印头清洗。

打印头清洗功能可以疏通阻塞的打印头喷嘴。

如果在墨水充足的条件下，打印结果不令人满意或无法打印特定颜色，请执行打印头清洗。



深度清洗

执行深度清洗。

清洗两次仍不能解决打印头问题时，请执行深度清洗。

注 释

- **深度清洗比清洗消耗更多的墨水。**
频繁清洗打印头会迅速耗尽打印机墨水。 仅在必要时执行清洗。

墨水组

单击**清洗**或**深度清洗**时，会显示**墨水组**窗口。

选择想要用于清洗打印头的墨水组。

单击**最初确认项目**显示在执行清洗或深度清洗前需要确认的项目。



喷嘴检查

打印喷嘴检查图案。

如果打印变得暗淡或无法打印特定颜色，请执行该功能。打印喷嘴检查图案并检查打印头是否正常工作。

如果特定颜色的打印结果暗淡或部分内容缺失，请单击**清洗**以清洗打印头。

要显示打印喷嘴检查图案前需要确认的项目列表，请单击[最初确认项目](#)。

打印检查图案

该功能可以通过打印图案以检查墨水喷嘴是否堵塞。

单击**打印检查图案**。显示确认信息时，单击**确定**。随后显示**图案检查**对话框。

左侧位图(良好)

打印头喷嘴没有堵塞。

右侧位图(不良)

打印头喷嘴可能堵塞。

退出

关闭**图案检查**对话框。

清洗

执行打印头清洗。

进行打印头清洗可清除打印头喷嘴中的任何堵塞物。

如果在所有墨水量充足的条件下，打印变得暗淡或无法打印特定颜色，请执行清洗。



电源关闭

从 Canon IJ Printer Assistant Tool 关闭打印机。

由于无法接触到打印机而无法按打印机上的电源按钮时，请执行该功能以关闭打印机。

单击此按钮之后，必须按打印机上的电源按钮以重新开启打印机。使用该功能时，无法从 Canon IJ Printer Assistant Tool 打开打印机电源。



自动电源

打开[自动电源设置对话框](#)。

指定自动操作打印机电源的设置。如果想要更改自动电源设置，请执行该功能。

►► 注释

- 如果打印机关闭或打印机与计算机之间的通讯被禁用，由于计算机无法收集打印机状态信息，可能会出现一条错误信息。
如果发生此情况，单击**确定**可显示在计算机上新近指定的设置。



静音设置

打开[静音设置对话框](#)。

在**静音设置**对话框上，您可以指定可降低打印机操作噪音的设置。当打印机的操作噪音成为一大问题时，例如在夜晚打印时，该模式可派上用场。当想要更改静音模式设置时，请执行该操作。

▶▶▶ 注释

- 如果打印机关闭或打印机与计算机之间的通讯被禁用，由于计算机无法收集打印机状态信息，可能会出现一条错误信息。
如果发生此情况，单击**确定**可显示在计算机上新近指定的设置。



用户定义设置

打开[用户定义设置对话框](#)。
执行该功能以更改打印机的设置。

▶▶▶ 注释

- 如果打印机关闭或打印机与计算机之间的通讯被禁用，由于计算机无法收集打印机状态信息，可能会出现一条错误信息。
如果发生此情况，单击**确定**可显示在计算机上新近指定的设置。

查看打印机状态

启动 Canon IJ Status Monitor。
当想要查看打印机状态以及打印作业如何进行时，请执行该功能。

最初确认项目(清洗/深度清洗)

运行**清洗**或**深度清洗**之前，确认打印机电源是否开启，然后打开打印机的机盖。
检查各墨水的以下项目。

- [检查墨盒中的剩余墨水量](#)。
- 确认是否完全推进墨水盒，直到听到咔嗒声。
- 如果橙色胶带粘在墨水盒上，请将其完全撕下。
任何残留的胶带都将阻碍墨水输出。
- 确认墨水盒是否已安装在正确的位置。

最初确认项目(喷嘴检查)

运行**喷嘴检查**之前，确认打印机电源是否已开启，然后打开打印机的机盖。
检查各墨水的以下项目。

- [检查墨盒中的剩余墨水量](#)。
- 确认是否完全推进墨水盒，直到听到咔嗒声。
- 如果橙色胶带粘在墨水盒上，请将其完全撕下。
任何残留的胶带都将阻碍墨水输出。
- 确认墨水盒是否已安装在正确的位置。

自动电源设置对话框

单击**自动电源**时，会显示**自动电源设置对话框**。
使用该对话框可以从 Canon IJ Printer Assistant Tool 管理打印机电源。

自动电源开启

选择自动电源开设置。

指定**禁用**以防止打印数据发送到打印机时打印机自动开启。

确认打印机是否已开启，然后单击**确定**以更改打印机设置。

指定**启用**以便打印数据发送到打印机时打印机自动开启。

自动电源关闭

从列表中选择要设置的时间。如果在所选时间内未执行打印机驱动程序操作或打印机操作，则打印机将关闭。

静音设置对话框

单击**静音设置**时，会显示**静音设置**对话框。

在**静音设置**对话框上，您可以指定可降低打印机操作噪音的设置。

希望在夜间或其他时间降低打印机的操作噪音时，请选择该模式。

使用此功能可能会降低打印速度。

不使用静音模式

要想在操作噪音正常的情况下使用本打印机，请选择该选项。

总是使用静音模式

如果要降低打印机操作噪音，请选择该选项。

在指定时间内使用静音模式

如果要在指定时间段内降低打印机操作噪音，请选择该选项。

当要激活该静音模式时，请设置**开始时间**和**结束时间**。如果将两者设置为同一时间，则静音模式不可用。

重要事项

- 可以从打印机的操作面板或 Canon IJ Printer Assistant Tool 设置静音模式。无论如何设置静音模式，从打印机的操作面板执行操作或从计算机打印时，均应用此模式。
- 如果直接从打印机进行操作(如直接打印等)，即使处于**在指定时间内使用静音模式**设置的时段也不会使用静音模式。

用户定义设置对话框

单击**用户定义设置**时，会显示**用户定义设置**对话框。

如有必要，可以在打印机的多种操作模式之间进行切换。

检测多用途托盘上的兼容介质

使用多用途托盘检测打印期间是否在多用途托盘上装入了兼容介质，如果未装入兼容介质则显示一条消息。

选中此复选框以检测打印时是否装入了兼容介质。

取消选中此复选框，则在打印时不检测是否装入了兼容介质。

重要事项

- 如果未选中此复选框，即使多用途托盘上没有装入兼容介质，打印机仍可能从多用途托盘打印。因此，一般情况下，应选中此复选框。
- 如将已有打印内容的兼容介质装入多用途托盘，打印机可能会检测为多用途托盘上没有装入兼容介质。在这种情况下，取消选中该复选框。

当方向为[横向]时向左旋转 90 度

在页设置选项卡上，可以在方向中更改横向的旋转方向。

如果要在打印过程中将打印数据向左旋转 90 度，请选择该项。如果要在打印过程中将打印数据向右旋转 90 度，请清除该项。

重要事项

- 打印作业显示在打印等待列表中时，请勿更改该设置。否则，可能遗漏字符或破坏布局。

注释

- 如果将页设置选项卡上的页尺寸选择为信封 Com 10、信封 DL、Yougata 4 105x235mm 或 Yougata 6 98x190mm，则无论当方向为[横向]时向左旋转 90 度设置如何，打印机都会将纸张向左旋转 90 度进行打印。

从计算机打印时不要检测纸张设置不匹配

从计算机打印文档时，打印机驱动程序上的纸张设置与打印机上注册的纸张信息不匹配，该设置禁止信息显示并允许继续打印。

要禁用纸张设置不匹配检测，请选中该复选框。

从计算机打印时禁用纸张宽度检测

即使从计算机打印的过程中，打印机识别的纸张宽度与在页设置选项卡上的纸张尺寸中设置的纸张宽度不同，该功能也会禁止信息显示并允许继续打印。

要在打印过程中禁用纸张宽度检测，请选中此复选框。

相关主题

- [清洗打印头](#)
- [打印喷嘴检查图案](#)
- [管理打印机电源](#)
- [降低打印机噪音](#)
- [更改打印机操作模式](#)

清洁打印机

- ▶ 清洁外部表面
- ▶ 清洁进纸滚轴
- ▶ 清洁打印机内部(底板清洁)

清洁外部表面

务必使用诸如眼镜清洁布等柔软的干布轻轻擦拭表面上的灰尘。必要时在清洁前抚平布上的皱褶。

重要事项

- 清洁打印机之前，务必关闭电源并拔出电源线。
- 请勿使用棉纸、纸巾、粗布或类似材料清洁本机以免划伤表面。纸巾的粉屑或细丝可能会残留在打印机内部，从而造成打印头堵塞和打印效果欠佳等问题。
- 切勿使用稀释剂、苯、丙酮等挥发性液体或任何其他化学清洁剂清洁打印机，否则可能会造成打印机故障或损坏打印机表面。

清洁进纸滚轴

如果进纸滚轴脏污或沾有纸屑，则可能不会正确送入纸张。在这种情况下，清洁进纸滚轴。清洁会磨损进纸滚轴，因此仅在必要时执行清洁。

需要准备：

对于上端进纸盘：三张 A4 或 Letter 尺寸普通纸

对于手动进纸托盘：一张 A4 或 Letter 尺寸普通纸

1. [确认打印机是否已开启。](#)

2. 在主页屏幕上选择**维护**。

■ [LCD 屏幕和操作面板](#)

将出现**维护**屏幕。

3. 选择**滚轴清洁**。



将出现确认屏幕。

4. 选择**是**。

5. 选择供进纸滚轴清洁用的纸张来源(**上端进纸盘**或**手动进纸托盘**)。

如果选择**手动进纸托盘**，请转到步骤 8。

6. 选择**不擦拭**。



7. 取出上端进纸盘中的所有纸张，然后按 **OK** 按钮。

无纸清洁时，进纸滚轴会转动。

进纸滚轴停止转动时，清洗完成。

8. 按照信息在步骤 5 中选择的纸张来源中装入 A4 或 Letter 尺寸的普通纸。

在上端进纸盘中装入三张纸，或者在手动进纸托盘中装入一张纸。

■ [在上端进纸盘中装入纸张](#)

■ [在手动进纸托盘中装入纸张](#)

9. 选择 **OK**。

打印机开始清洁。纸张弹出时，清洁完成。

10. 出现完成信息时，选择 **OK**。

►► 注释

- 如果使用**不擦拭**清洁进纸滚轴后问题仍未解决，请用湿布擦拭进纸滚轴。

■ [用湿布擦拭进纸滚轴](#)

用湿布擦拭进纸滚轴

1. 选择**滚轴清洁**屏幕上的**用湿布擦拭**。



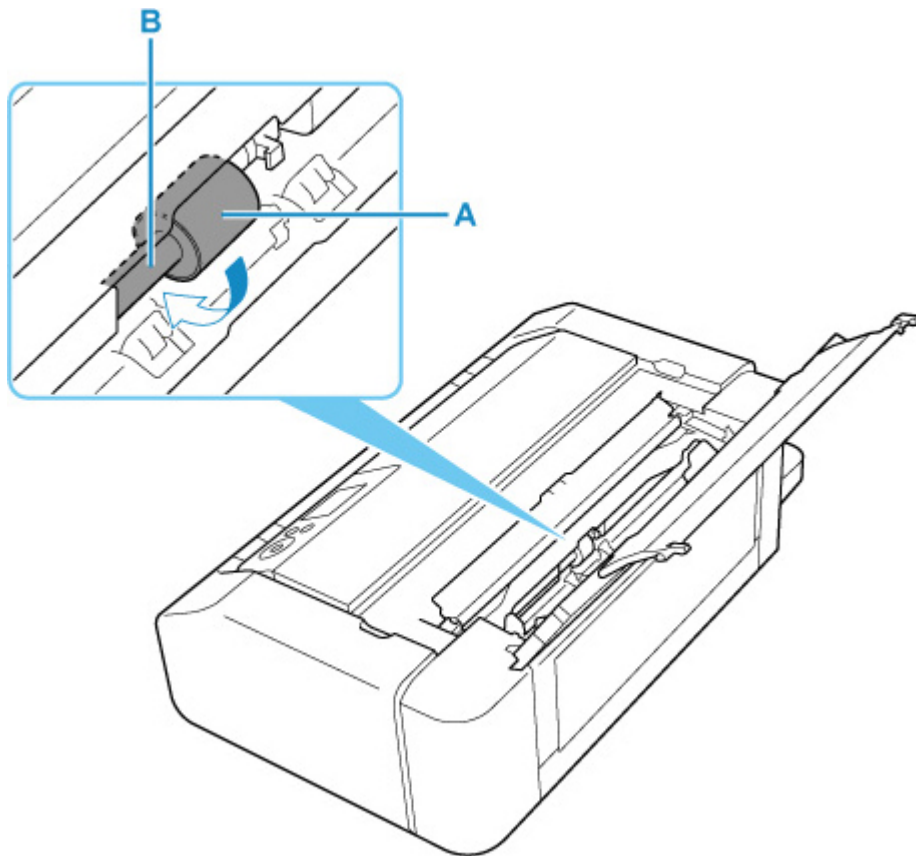
2. 查看信息并选择 **OK**。

3. 取出上端进纸盘中的所有纸张，然后按 **OK** 按钮。

4. 按**电源**按钮。

5. 确保**电源**指示灯已熄灭，并用湿布擦拭进纸滚轴。

用湿布或其他材料擦拭上端进纸盘内的进纸滚轴(A)。请勿用手指触摸进纸滚轴，请用手指边旋转轴(B)边擦拭。



注 释

- 如果轴未旋转，请关闭打印机，然后再次开启。

6. 用湿布擦拭后，按**电源**按钮。

7. 再次执行进纸滚轴清洁(**不擦拭**)。

注 释

- 如果在使用**湿布擦拭**进行进纸滚轴清洁时将打印数据发送到打印机，则即使将自动电源开启设置为自动开启，也会禁用该设置。

在这种情况下，请将打印机设置为重新自动开启。

从打印机

■ [节能设置](#)

从计算机

■ [管理打印机电源](#) (Windows)

■ [管理打印机电源](#) (macOS)

如果清洁进纸滚轴后问题仍未解决，请联系最近的 Canon 服务中心进行维修。

清洁打印机内部(底板清洁)

从打印机内部擦除污迹。如果打印机内部脏污，可能会弄脏打印的纸张，因此建议定期执行清洁。

需要准备：一张 A4 或 Letter 尺寸的普通纸*

* 务必使用一张新纸。

1. [确认打印机是否已开启。](#)

2. 在主页屏幕上选择**维护**。

■ [LCD 屏幕和操作面板](#)

将出现**维护**屏幕。

3. 选择**底板清洁**。

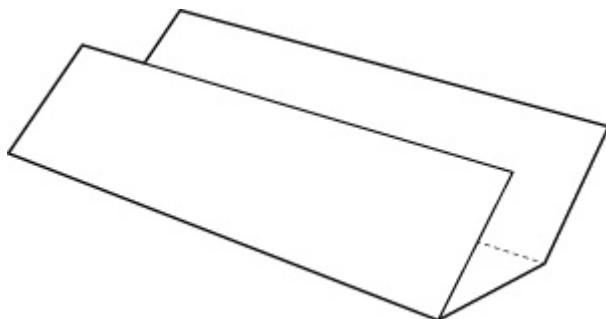


将出现确认屏幕。

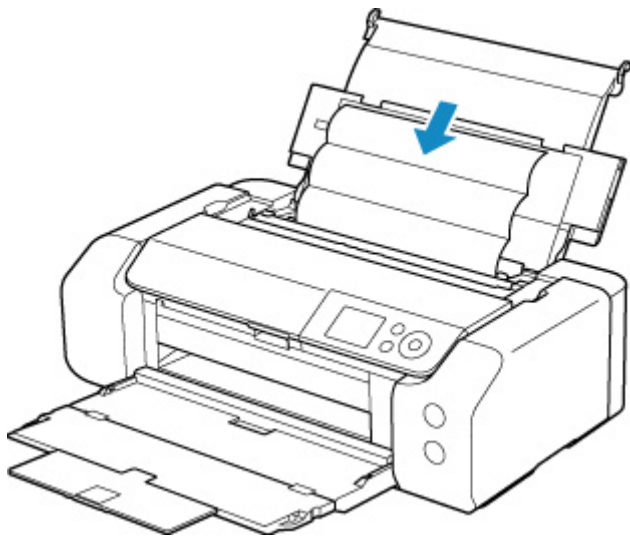
4. 选择**是**。

5. 按照信息取出上端进纸盘中的所有纸张，然后选择 **OK**。

6. 沿短边三等分折叠 A4 或 Letter 尺寸的普通纸，再展开，然后选择 **OK**。



7. 将开口面向自己，在上端进纸盘中沿长边装入该纸张。



8. 选择 **OK**。

纸张送入打印机时将清洁打印机内部。

检查已输出纸张的折叠部分。如果被墨水弄脏，请再次执行底板清洁。

9. 出现完成信息时，选择 **OK**。

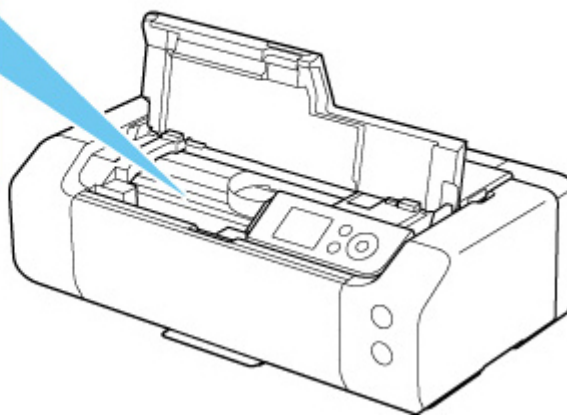
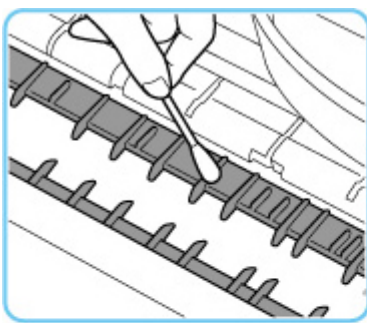
▶▶▶ 注释

- 再次执行底板清洁时，务必使用一张新纸。

如果再次执行清洁后问题仍未解决，打印机内部的突出部分可能已脏污。使用棉签或类似物品将突出部分的所有墨水擦拭干净。

▶▶▶ 重要事项

- 清洁打印机之前，务必关闭电源并拔出电源线。



其他维护

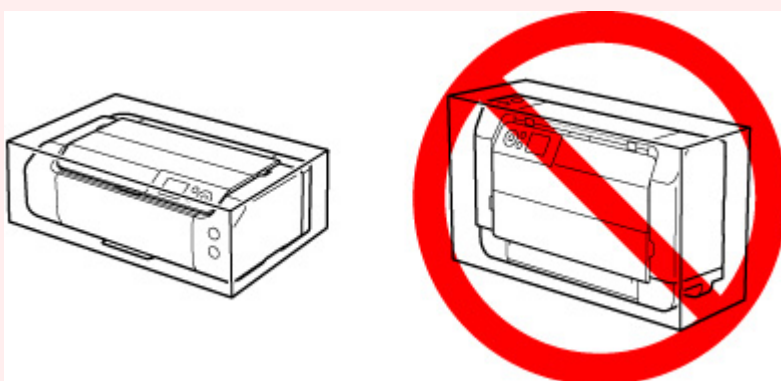
- ▶ 运输打印机

运输打印机

因搬家或维修需要重新放置打印机时，请确保下列情况。

重要事项

- 将打印机包装在坚固的箱子中，使其底部向下放置，使用充足的保护材料，以确保打印机运输安全。
- 在不取出打印机内安装的打印头和墨水盒的状态下，按**电源**按钮关闭电源。该功能可以使打印机自动盖上打印头，以防止其变干。
- 包装后，请勿倾斜装有打印机的箱子，或将其侧放或倒放。否则可能造成运输过程中墨水漏出并损坏打印机。
- 运输代理商运输打印机时，请在包装箱上标明“此面向上”，以使打印机保持底部向下。同时在包装箱上标明“易碎”或“小心轻放”。



1. 关闭打印机。
2. 确认**电源**指示灯已熄灭并**拔出电源线**。

重要事项

- 请勿在**电源**指示灯亮起或闪烁时拔出打印机插头，否则可能会造成打印机故障或损坏，以致打印机无法打印。

3. 收回托盘。
4. 从计算机和打印机拔出打印机电缆线，然后从打印机拔出电源线。
5. 用粘贴胶带固定打印机上的所有盖板，以防在运输过程中打开。然后用塑料袋包装打印机。
6. 将打印机装入包装箱时，用保护材料包装打印机。

规格

- ▶ 规格
- ▶ 打印区域

规格

一般规格

接口	USB 端口: Hi-Speed USB * 网络端口: 有线 LAN: 100BASE-TX / 10BASE-T Wi-Fi: IEEE802.11n / IEEE802.11g / IEEE802.11b / IEEE802.11a * 需要使用符合 Hi-Speed USB 标准的计算机。由于 Hi-Speed USB 接口与 USB 1.1 完全向上兼容, 因此可以用于 USB 1.1。 可以同时使用 USB 和网络。 无法同时使用 Wi-Fi 和有 线 LAN。
操作环境	温度: 5 到 35°C(41 到 95°F) 湿度: 10 到 90%RH(无结露) * 在一定温度和湿度条件下, 打印机的性能可能会有所降低。 推荐条件: 温度: 15 到 30°C(59 到 86°F) 湿度: 10 到 80%RH(无结露) * 有关纸张(如照片纸)的温度和湿度状况, 请参阅纸张的包装或附带的说明。
存储环境	温度: 0 到 40°C(32 到 104°F) 湿度: 5 到 95%RH(无结露)
电源供应	AC 100-240V, 50/60Hz (附带的电源线仅适用于产品销售的国家或地区。)
耗电功率	打印: 16W 或更小 *1 待机(最小): 1.0W 或更小 *1*2 关闭: 0.2W 或更小 *1 USB 连接至计算机 *2 无法更改待机等待时间。
外部尺寸(宽 x 深 x 高)	约 639 x 379 x 200 毫米(约 25.2 x 15 x 7.9 英寸) * 收回托盘的状态下。
重量	约 14.1 千克(约 31.0 磅) * 安装有打印头和墨水盒的状态下。

网络规格

通讯协议	SNMP、HTTP、TCP/IP(IPv4/IPv6)
有线 LAN	支持的标准： IEEE802.3u(100BASE-TX) / IEEE802.3(10BASE-T) 传输速度： 10Mbps/100Mbps(自动切换) 安全： IEEE802.1X(EAP-TLS/EAP-TTLS/PEAP)
Wi-Fi	支持的标准： IEEE802.11n / IEEE802.11g / IEEE802.11b / IEEE802.11a 频率带宽： 2.4GHz / 5GHz 通道： 2.4GHz: 1-11 或 1-13 5GHz: W52、W53、W56、W58 * 无线直连不能用于 5GHz 频段。 * 根据国家或地区，频率频宽和可用通道有所不同。 通讯距离： 室内 50 米/164 英尺 * 根据安装环境和位置，有效范围有所不同。 安全： WEP(64/128 位) WPA-PSK(TKIP/AES) WPA2-PSK(TKIP/AES) 设置： WPS(单键加密/PIN 编码方法) 简易无线连接

最低系统要求

如果所用操作系统高于此要求，即符合操作系统的要求。

Windows

操作系统	Windows 10、Windows 8.1、Windows 7 SP1 注释：只有在预先安装了 Windows 7 或更高版本的计算机上才能保证正常工作。 打印机驱动程序、IJ Printer Assistant Tool 和 IJ Network Device Setup Utility 支持以下操作系统： Windows Server 2008 R2 SP1、Windows Server 2012 R2、Windows Server 2016 和 Windows Server 2019。
硬盘空间	2.0GB 或更大 注释：用于安装随附软件。

macOS

操作系统	OS X 10.11.6、macOS 10.12 - macOS 10.15
硬盘空间	1.5GB 或更大 注释：用于安装随附软件。

其他支持的操作系统

iOS、Android、Chrome OS

某些功能在支持的操作系统上可能无法使用。

有关详细资料，请参阅 Canon 网站。

移动打印功能

Apple AirPrint

PIXMA Cloud Link

Mopria Print Service


- 在 Windows 上安装软件需要连接互联网或使用光盘驱动器。
- macOS：对于 macOS，软件安装时需要连接互联网。
- 使用所有用户指南需要连接互联网。

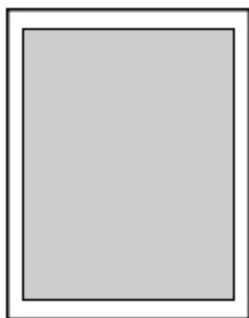
打印区域

- ▶ 打印区域
- ▶ 标准尺寸
- ▶ 边距为 25 毫米(0.98 英寸)纸张的打印区域尺寸
- ▶ 信封
- ▶ 可打印光盘

打印区域

为保持打印质量，打印机会在纸张边缘留有边距。可打印区域在此边距内。

可打印区域 : 可以在此区域内打印。



►► 注释

- 通过选择无边距打印选项，可进行没有边距的打印。
- 执行无边距打印时，打印出的图像被放大以填充整个页面，因此图像边缘可能被裁去少许内容。
- 执行无边距打印时，选择**设备设置**的**打印设置**中的**无边距缩放比例**以指定图像扩展到纸张之外的延伸量。

■ 打印设置

- 对于无边距打印，请使用以下纸张：
 - 优质专业照片纸 <PT-101>
 - 光面照相纸"Everyday Use" <GP-501>
 - 光面照相纸 <GP-701>
 - 高级光面照片纸 II <PP-201/PP-208/PP-301>
 - 专业绒面照片纸 <LU-101>
 - 亚高光泽照片纸 <SG-201>
 - 无光泽照片纸 <MP-101>^{*1}
 - Photo Paper Pro Premium Matte <PM-101>^{*1}
 - 优质精细艺术 粗面相片打印纸 <FA-RG1>^{*1}
 - 贺卡
 - 卡片纸

*1 根据打印设置，无边距打印将禁用。要启用无边距打印，请取消边距限制。

■ 打印选项对话框 (Windows)

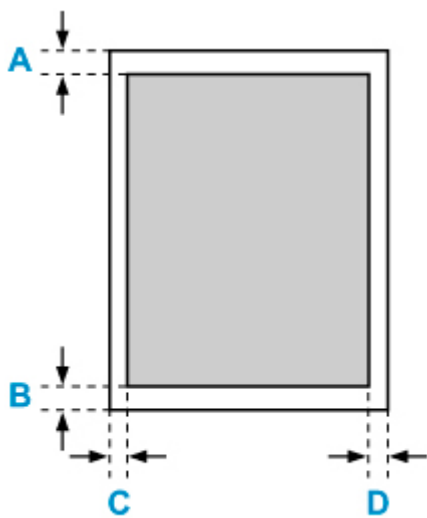
■ 纸张详细设置 (macOS)

在任何其他类型的纸张上执行无边距打印，可能会明显降低打印质量和/或导致打印输出变色。

- 无边距打印不适用于 A5、B5、B4 或 Legal 尺寸的纸张、普通纸、信封或 T 恤转印介质。
- 根据纸张类型，无边距打印可能降低纸张上边缘和下边缘处的打印质量，或造成这些部分出现污迹。

标准尺寸

尺寸	打印区域(宽度 x 高度)
Letter	203.2 x 271.4 毫米(8.00 x 10.69 英寸)
Legal	203.2 x 347.6 毫米(8.00 x 13.69 英寸)
28 x 43 厘米(11" x 17")	272.6 x 423.8 毫米(10.73 x 16.69 英寸)
A5	141.2 x 202.0 毫米(5.56 x 7.95 英寸)
A4	203.2 x 289.0 毫米(8.00 x 11.38 英寸)
A3	290.2 x 412.0 毫米(11.43 x 16.22 英寸)
A3+	322.2 x 475.0 毫米(12.69 x 18.70 英寸)
B5	175.2 x 249.0 毫米(6.90 x 9.80 英寸)
B4	250.2 x 356.0 毫米(9.85 x 14.02 英寸)
10 x 15 厘米(4" x 6")	94.8 x 144.4 毫米(3.73 x 5.69 英寸)
13 x 18 厘米(5" x 7")	120.2 x 169.8 毫米(4.73 x 6.69 英寸)
18 x 25 厘米(7" x 10")	171.0 x 246.0 毫米(6.73 x 9.69 英寸)
20 x 25 厘米(8" x 10")	196.4 x 246.0 毫米(7.73 x 9.69 英寸)
25 x 30 厘米(10" x 12")	247.2 x 296.8 毫米(9.73 x 11.69 英寸)
210 x 594 毫米(8.27 x 23.39 英寸)	203.2 x 586.0 毫米(8.00 x 23.07 英寸)
正方形 13 x 13 厘米 5" x 5"	115.0 x 115.0 毫米(4.53 x 4.53 英寸)
30 x 30 厘米(12" x 12")	298.0 x 296.8 毫米(11.73 x 11.68 英寸)



可打印区域

Letter、Legal

A: 3.0 毫米(0.12 英寸)

B: 5.0 毫米(0.20 英寸)

C: 6.4 毫米(0.25 英寸)

D: 6.3 毫米(0.25 英寸)

正方形 13 x 13 厘米 5" x 5"

- A: 6.0 毫米(0.24 英寸)
- B: 6.0 毫米(0.24 英寸)
- C: 6.0 毫米(0.24 英寸)
- D: 6.0 毫米(0.24 英寸)

除 Letter、Legal 或正方形 13 x 13 厘米 5" x 5"以外

- A: 3.0 毫米(0.12 英寸)
- B: 5.0 毫米(0.20 英寸)
- C: 3.4 毫米(0.13 英寸)
- D: 3.4 毫米(0.13 英寸)

边距为 25 毫米(0.98 英寸)纸张的打印区域尺寸

选择边距为 25 毫米(0.98 英寸)的 Art 纸张时，打印机无法在纸张上下 25 毫米(0.98 英寸)的边距上打印。因此，建议打印前在预览屏幕中检查打印区域。

如果因打印头磨擦纸张的上下边缘而导致出现墨渍，可使用边距为 25 毫米(0.98 英寸)的纸张以避免该问题发生。

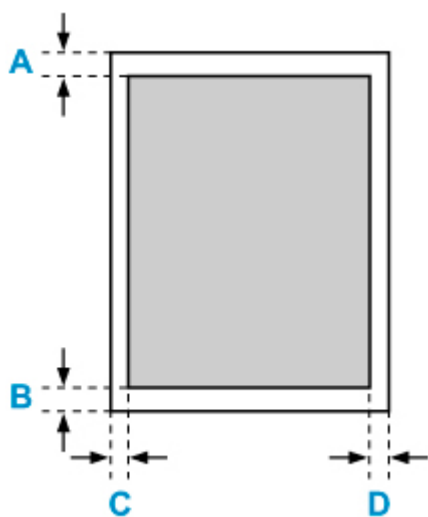
使用以下纸张时，根据所用打印设置，打印机将在纸张打印区域上保留 25 毫米(0.98 英寸)的边距。要以其他页尺寸打印，请取消边距限制。

- 无光泽照片纸 <MP-101>
- Photo Paper Pro Premium Matte <PM-101>
- 优质精细艺术 粗面相片打印纸 <FA-RG1>

■ [打印选项对话框](#) (Windows)

■ [纸张详细设置](#) (macOS)

尺寸	打印区域(宽度 x 高度)
Letter[25 毫米(0.98 英寸)边距]	203.2 x 229.4 毫米(8.00 x 9.03 英寸)
28 x 43 厘米(11" x 17")[25 毫米(0.98 英寸)边距]	272.6 x 381.8 毫米(10.73 x 15.03 英寸)
A4[25 毫米(0.98 英寸)边距]	203.2 x 247.0 毫米(8.00 x 9.72 英寸)
A3[25 毫米(0.98 英寸)边距]	290.2 x 370.0 毫米(11.43 x 14.57 英寸)
A3+[25 毫米(0.98 英寸)边距]	322.2 x 433.0 毫米(12.69 x 17.05 英寸)
210 x 594 毫米(8.27 x 23.39 英寸)[25 毫米(0.98 英寸)边距]	203.2 x 544.0 毫米(8.00 x 21.42 英寸)



■ 可打印区域

Letter

A: 25.0 毫米(0.98 英寸)

B: 25.0 毫米(0.98 英寸)

C: 6.4 毫米(0.25 英寸)

D: 6.3 毫米(0.25 英寸)

Letter 以外

A: 25.0 毫米(0.98 英寸)

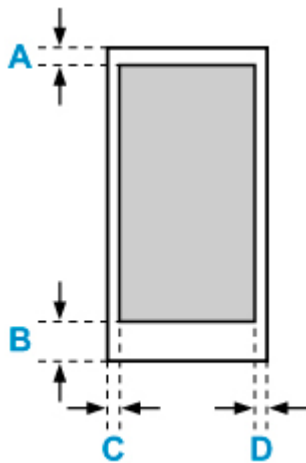
B: 25.0 毫米(0.98 英寸)

C: 3.4 毫米(0.13 英寸)

D: 3.4 毫米(0.13 英寸)

信封

尺寸	打印区域(宽度 x 高度)
信封 Com 10	93.5 x 220.6 毫米(3.68 x 8.68 英寸)
信封 DL	98.8 x 199.3 毫米(3.88 x 7.85 英寸)



可打印区域

A: 8.0 毫米(0.32 英寸)

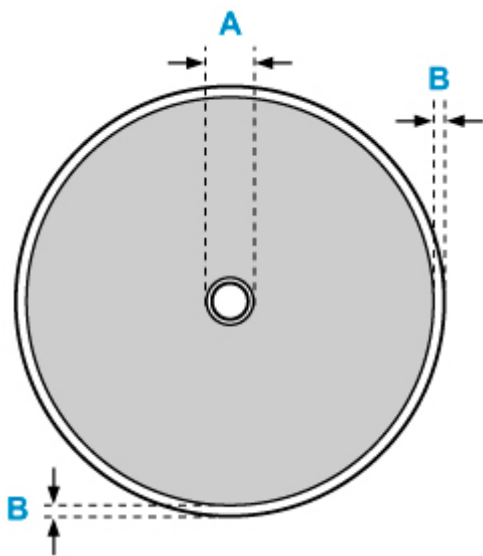
B: 12.7 毫米(0.50 英寸)

C: 5.6 毫米(0.23 英寸)

D: 5.6 毫米(0.23 英寸)

可打印光盘

可打印光盘的打印区域为从打印面上距离内径 17 毫米(0.67 英寸)到距离外径 1 毫米(0.04 英寸)的区域。



可打印区域

A: 17.0 毫米(0.67 英寸)

B: 1.0 毫米(0.04 英寸)

安全相关

- ▶ 安全注意事项
- ▶ 法规信息
- ▶ WEEE (EU&EEA)
- ▶ 修理、外借或处置打印机时
- ▶ 打印的法律限制

安全注意事项

安全注意事项

- 本手册包含打印机的重要通知和安全注意事项。
请勿以随附手册中所述之外的方式使用本打印机，否则可能会导致火灾、触电或其他意外事故。
安全标准标志和声明仅适用于适用国家或地区所支持的电压和频率。

警告

- 使用心脏起搏器的用户：
本产品发射出低电平磁通量。如果您感觉异常，请远离本产品并咨询您的医生。
- 下列情况下请勿使用打印机：
请立即停止使用，拔掉打印机电源并联系当地的服务代表以请求维修。
 - 金属物体或液体溅入打印机内部。
 - 打印机发出烟雾、异味，或产生不寻常的噪音。
 - 电源线或插头过热或者破损、弯曲或以任何方式损坏。
- 不遵守下列事项可能会导致火灾、触电或受伤：
 - 请勿将产品置于易燃溶剂（如酒精或稀释剂）附近。
 - 请勿打开或改装打印机。
 - 仅可使用打印机随附的电源线/电缆。请勿将这些电缆与其他设备一同使用。
 - 请勿插入指定电压或频率以外的电压或频率。
 - 将电源线完全插入插座。
 - 请勿用湿手插拔电源线。
 - 请勿扭曲、捆扎、捆绑、拉扯或过度弯曲从而损坏电源线。
 - 请勿在电源线上放置重物。
 - 请勿将多条电源线连接至单个电源插座。请勿使用多条延长线。
 - 雷雨天气时，请拔掉打印机插头。
 - 清洗时，请务必拔掉电源线和电缆。请勿使用如酒精或稀释剂等易燃喷雾或液体进行清洗。
 - 每月拔下一次电源线，检查其是否过热、锈蚀、弯曲、划伤、裂开或损坏。

注意

- 打印时请勿将手置于打印机内。
 - 打印后，请勿立即触摸打印头或其他金属部件。
 - 墨水
 - 请将墨水放在儿童拿取不到的地方。
 - 如果不慎舔到或吞入墨水，请先漱口，然后喝一到两杯水。如果感到刺激或不适，请立即就医。
 - 如果眼睛接触到墨水，请立即用清水冲洗。如果皮肤接触到墨水，请立即用肥皂和清水清洗。如果眼睛或皮肤仍然感到刺激，请立即就医。
-

一般通知

请选择位置

请参阅在线手册中的“[规格](#)”了解关于操作环境的详情。

- 请勿将打印机安装在不稳定或易受到剧烈振动的地方。
- 请勿将打印机安装在温度过高（阳光直射或靠近热源处）、非常潮湿或多尘的地方或者户外。
- 请勿将打印机放置于厚垫或地毯上。
- 请勿将打印机靠墙齐平放置。

电源

- 必须始终保持电源插座周围的区域清洁，以便在必要时可轻松拔下电源线。
- 切勿以拉扯电源线的方式拔下插头。

一般通知

- 请勿将打印机倾斜、侧置或者倒置。这可能会导致墨水泄漏。
- 请勿在打印机上方放置任何物品。请特别注意，避免使用如回形针和订书钉等金属物体，以及盛装如酒精或稀释剂等易燃液体的容器。
- 请勿尝试打开、拆卸或改装墨水盒。墨水可能会泄漏并损坏打印机。
- 请勿将打印头或墨水盒投入火中。

法规信息

干扰

请勿在医疗设备或其他电子设备附近使用打印机。来自打印机的信号可能会干扰这些设备的正确运行。

WEEE (EU&EEA)

此规定仅适用于欧盟和 EEA（挪威、冰岛和列支敦士登）。
此处没有通知信息。

修理、外借或处置打印机时

如果已在打印机上输入个人数据、密码和/或安全设置，这些信息可能会存入打印机。

因修理打印机，将打印机外借或转交给他人或对其进行处置而移动打印机时，请确保按以下步骤删除这些信息，并防止第三方访问这些信息。

- **各种设置 > 设备设置 > 重置设置 > 全部重置 > 是**

打印的法律限制

打印或修改以下复印件可能会受到法律的制裁。

此列表为不完全清单。如有疑问，请咨询法律代表。

- 纸币
- 汇票
- 存款单
- 邮票(盖戳或未盖戳的)
- 身份识别卡或标志
- 义务兵役或征兵证件
- 政府机构签发的支票或汇票
- 机动车驾照和所有权证书
- 旅行支票
- 食品券
- 护照
- 移民证件
- 国内税收印花税票(盖戳或未盖戳的)
- 债券或其他债务凭证
- 股票
- 未经所有者许可的版权著作或艺术作品

本手册中的屏幕截图

对于 Windows:

本手册中使用的屏幕截图为使用操作系统 Windows 10 时显示的屏幕。

对于 macOS:

本手册中使用的屏幕截图为使用操作系统 macOS Mojave 10.14 时显示的屏幕。

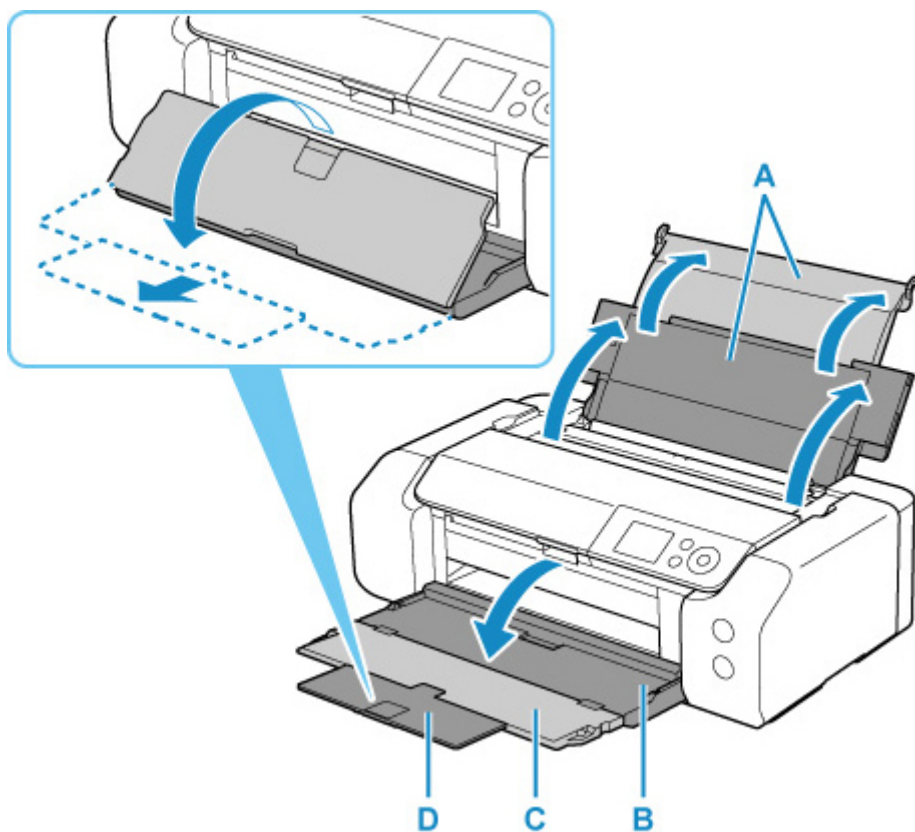
基本打印工作流程

- ▶ 从计算机打印照片(Windows)
- ▶ 从计算机打印照片(macOS)

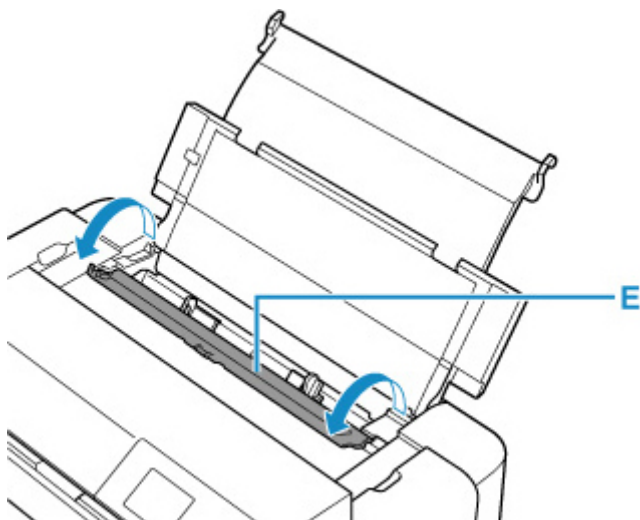
从计算机打印照片(Windows)

本节描述如何使用计算机上的软件应用程序打印照片。

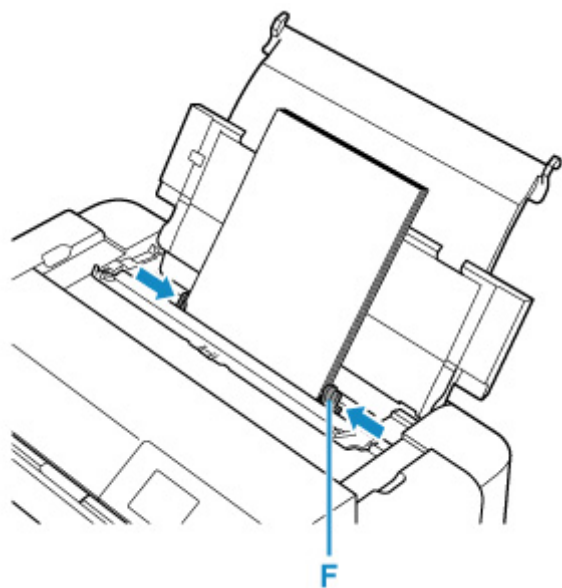
1. 打开上端进纸盘的靠纸架(A)。
2. 轻轻打开出纸托盘(B)。
3. 打开出纸托盘扩展架(C)，然后拉出出纸支架(D)。



4. 打开进纸插槽盖板(E)。

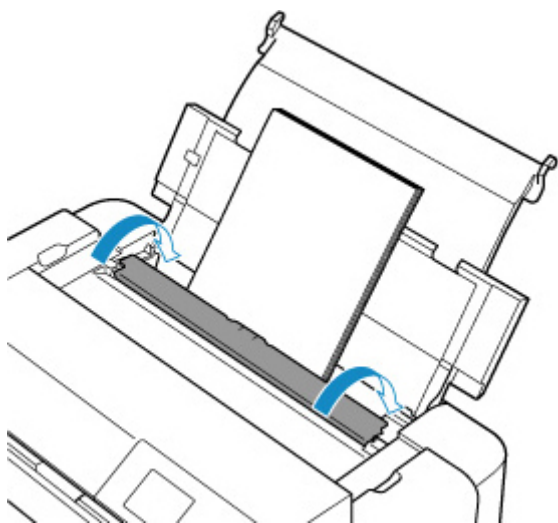


5. 移动右纸张导片(F)打开两个纸张导片，然后将纸张装入上端进纸盘的中央，并使打印面朝上。
6. 移动右纸张导片(F)，将两个纸张导片与纸叠的两边对齐。



7. 轻轻关闭进纸插槽盖板。

LCD 屏幕上显示上端进纸盘的纸张信息注册屏幕。



8. 在**页尺寸**和**类型**中选择装入上端进纸盘的纸张尺寸和类型，选择**注册**，然后按 **OK** 按钮。



9. 从软件应用程序菜单选择打印。

一般情况下，在文件菜单下选择打印以打开打印对话框。

10. 选择型号名称并单击首选项(或属性)。

打印机驱动程序设置窗口出现。

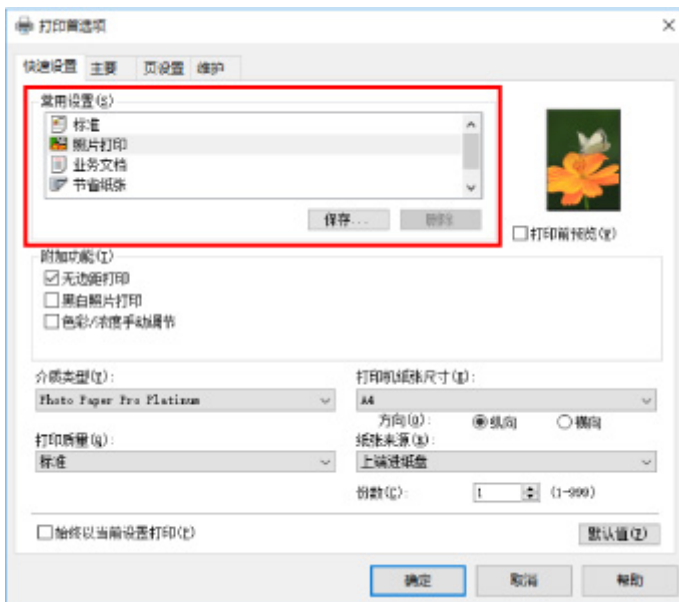
►►► 注释

- 根据所使用的软件应用程序的不同，命令名称或菜单名称可能会有所变化，并且步骤可能会更多。有关详细资料，请参阅软件应用程序的用户手册。

11. 选择常用打印配置文件。

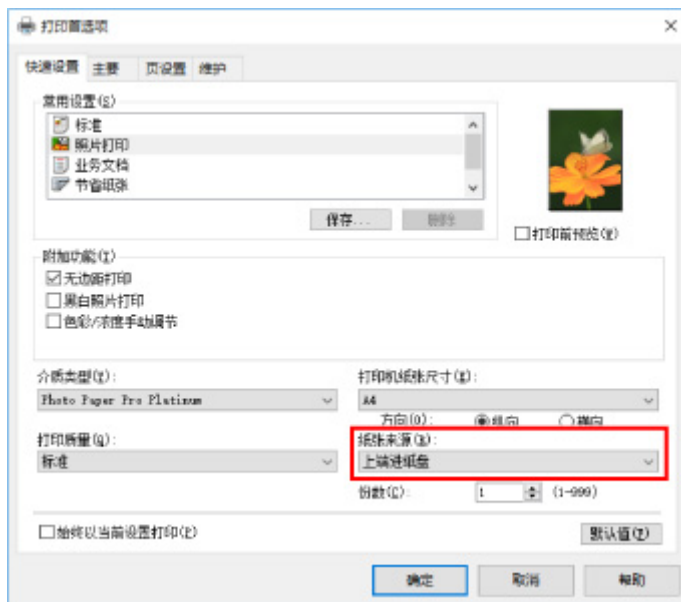
在快速设置选项卡上的常用设置中，选择合乎用途的打印配置文件。

当您选择打印配置文件时，附加功能、介质类型和打印机纸张尺寸设置将自动转换为预定设置的值。



12. 选择纸张来源。

在纸张来源处选择上端进纸盘。



13. 完成设置后，单击**确定**，然后执行打印。

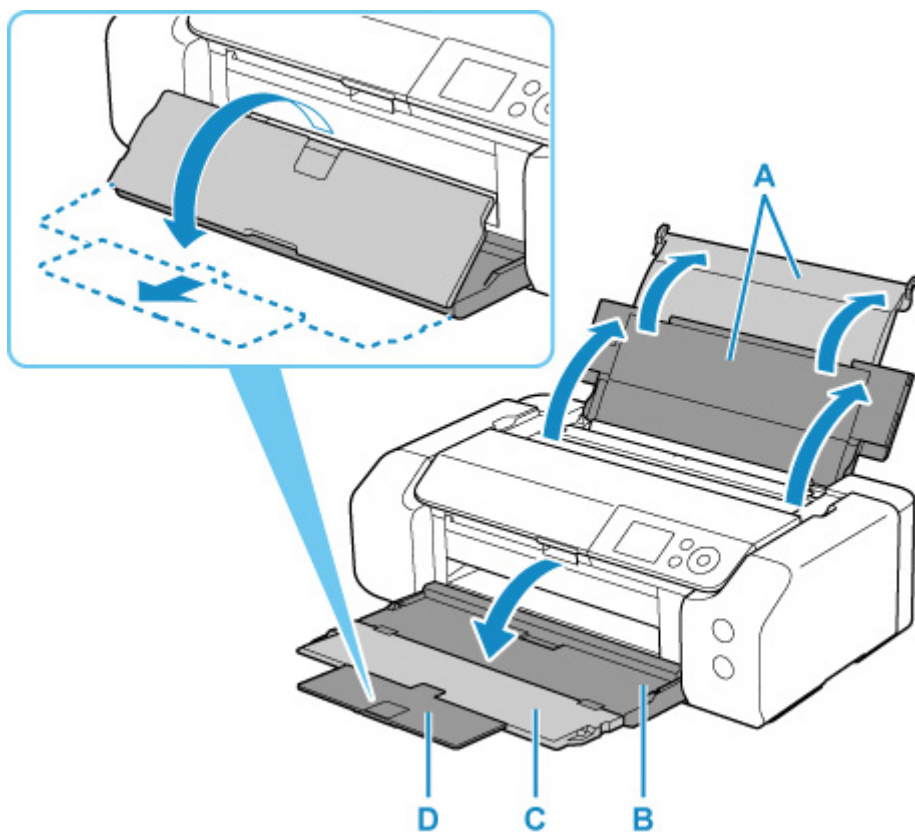
注釋

- 可以在打印机驱动程序设置窗口指定各种打印设置。
 - [从应用程序软件打印\(Windows 打印机驱动程序\)](#)
- 要在长纸[长度最大为 990.6 毫米(39.00 英寸)的纸张]上打印，请确保剩余足够的墨水。

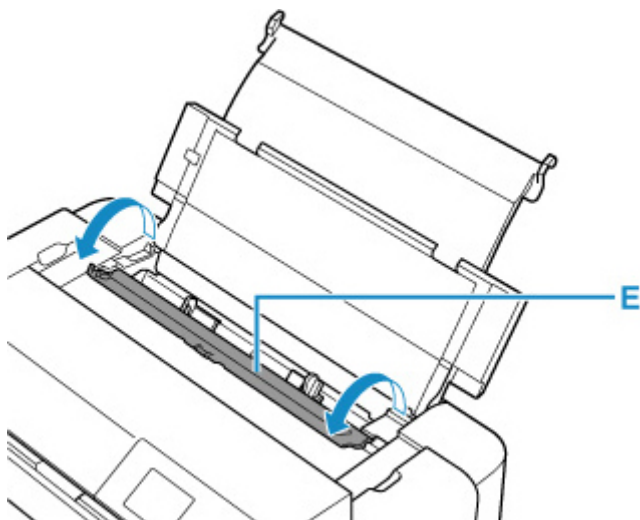
从计算机打印照片(macOS)

本节描述如何使用计算机上的软件应用程序打印照片。

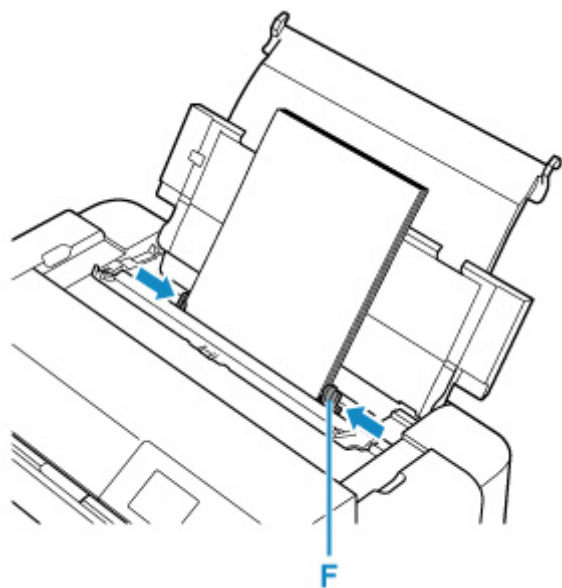
1. 打开上端进纸盘的靠纸架(A)。
2. 轻轻打开出纸托盘(B)。
3. 打开出纸托盘扩展架(C)，然后拉出出纸支架(D)。



4. 打开进纸插槽盖板(E)。

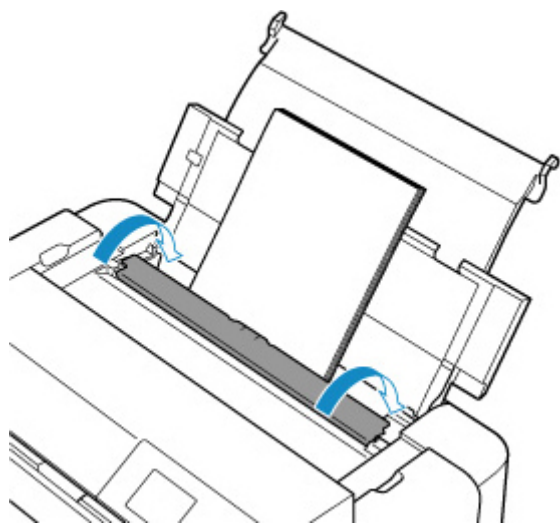


5. 移动右纸张导片(F)打开两个纸张导片，然后将纸张装入上端进纸盘的中央，并使打印面朝上。
6. 移动右纸张导片(F)，将两个纸张导片与纸叠的两边对齐。



7. 轻轻关闭进纸插槽盖板。

LCD 屏幕上显示上端进纸盘的纸张信息注册屏幕。



8. 在**页尺寸**和**类型**中选择装入上端进纸盘的纸张尺寸和类型，选择**注册**，然后按 **OK** 按钮。



9. 从软件应用程序菜单选择打印。

一般情况下，在文件菜单下选择打印...以打开打印对话框。

»» 注释

- 有关所用软件应用程序的操作的详细资料，请参阅软件应用程序的用户手册。

10. 从打印机列表中选择型号。

单击显示详细信息将设置窗口切换为详细显示状态。

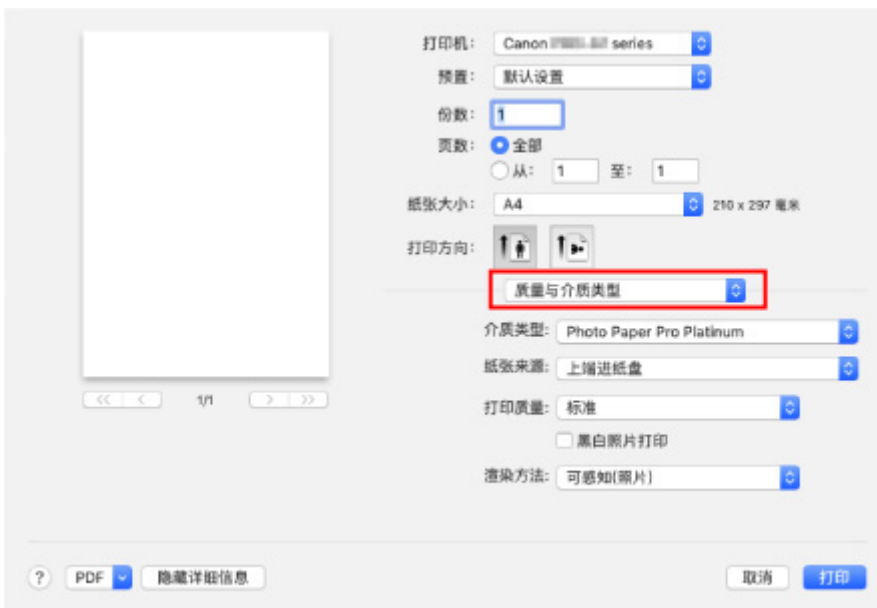


11. 选择纸张尺寸。

对于纸张大小，请选择要使用的纸张尺寸。



12. 从弹出菜单中选择**质量与介质类型**。



13. 选择介质类型。

对于**介质类型**，请选择装入打印机中的相同纸张类型。

14. 选择纸张来源。

在**纸张来源**处选择**上端进纸盘**。



15. 完成设置后，单击**打印**，然后执行打印。

注 释

- 可以在打印机驱动程序的打印对话框中指定各项打印设置。
 - 从应用程序软件打印(macOS 打印机驱动程序)
- 要在长纸[长度最大为 990.6 毫米(39.00 英寸)的纸张]上打印，请确保剩余足够的墨水。

增强的打印选项

► 从计算机打印

■ 从应用程序软件打印(Windows 打印机驱动程序)

■ 基本打印设置 **基础**

- 打印机驱动程序和打印机上的纸张设置(介质类型)
- 打印机驱动程序和打印机上的纸张设置(纸张尺寸)

■ 多种打印方法

- 设置页尺寸和方向
- 设置打印份数和打印顺序
- 执行无边距打印
- 比例打印
- 页面布局打印
- 平铺/海报打印
- 双面打印
- 设置信封打印
- 在明信片上打印
- 设置纸张尺寸(用户定义尺寸)
- 设置装订边距
- 按页面大小打印
- 书册打印
- 印记/背景打印
 - 注册印记
 - 注册图像数据以作为背景使用
- 根据用途切换纸张来源
- 打印前显示打印效果

■ 更改打印质量及修正图像数据

- 设置打印质量级别(用户定义)
- 用单色打印彩色文档
- 指定色彩修正
 - 图像数据最佳化照片打印
 - 使用打印机驱动程序调整色彩
 - 使用 ICC 配置文件进行打印

- 解析 ICC 配置文件
 - 调整色调
 - 调整色彩平衡
 - 调节亮度
 - 调节对比度
- 从应用程序软件打印(macOS 打印机驱动程序)
- 基本打印设置 **基础**
 - 打印机驱动程序和打印机上的纸张设置(介质类型)
 - 打印机驱动程序和打印机上的纸张设置(纸张尺寸)
 - 多种打印方法
 - 设置打印份数和打印顺序
 - 执行无边距打印
 - 比例打印
 - 页面布局打印
 - 设置信封打印
 - 在明信片上打印
 - 设置纸张尺寸(用户定义尺寸)
 - 设置装订边距
 - 缩放打印以适合纸张大小
 - 根据用途切换纸张来源
 - 更改打印质量及修正图像数据
 - 设置打印质量级别(用户定义)
 - 用单色打印彩色文档
 - 指定色彩修正
 - 图像数据最佳化照片打印
 - 使用打印机驱动程序调整色彩
 - 使用 ICC 配置文件进行打印(从应用程序软件中指定 ICC 配置文件)
 - 使用 ICC 配置文件进行打印(从打印机驱动程序中指定 ICC 配置文件)
 - 解析 ICC 配置文件
 - 调整色调
 - 调整色彩平衡
 - 调节亮度
 - 调节对比度

- ▶ **使用 AirPrint 打印**
- ▶ **从智能手机/平板电脑打印**
 - **从 iPhone/iPad/iPod touch 打印(iOS)**
 - 从 iOS 设备打印(AirPrint)
 - 使用 PIXMA/MAXIFY Cloud Link
 - **从智能手机/平板电脑打印(Android)**
 - 使用 PIXMA/MAXIFY Cloud Link
 - 使用 Mopria Print Service 打印
 - 使用 Canon Print Service 打印
 - **通过无线直连连接**
- ▶ **使用操作面板打印**
 - **打印模板(如横格纸或方格纸)**
- ▶ **从数码相机打印**
 - **直接从兼容 PictBridge(Wi-Fi)的设备打印照片**
 - **PictBridge(Wi-Fi)打印设置**

从计算机打印

- ▶ 从应用程序软件打印(Windows 打印机驱动程序)
- ▶ 从应用程序软件打印(macOS 打印机驱动程序)

从应用程序软件打印(Windows 打印机驱动程序)

- ▶ 基本打印设置  基本
- ▶ 多种打印方法
- ▶ 更改打印质量及修正图像数据

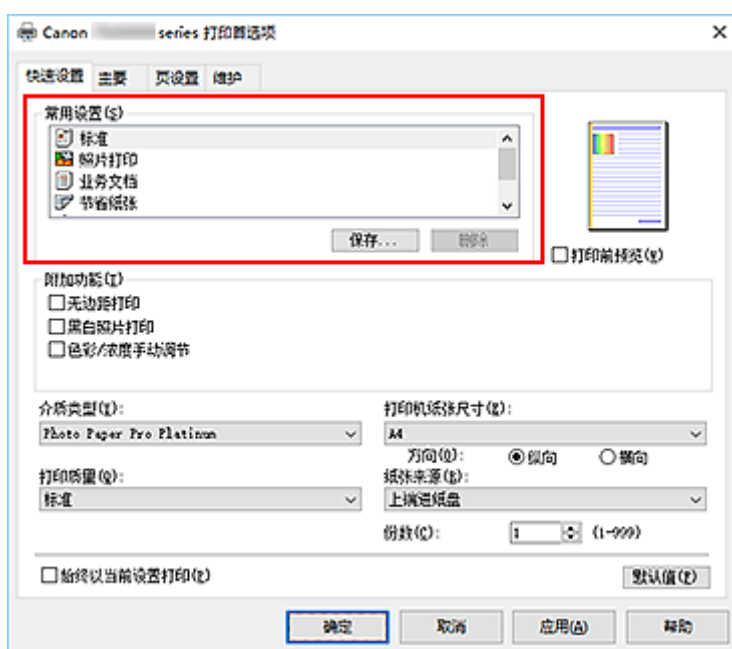
基本打印设置

本节描述用于基本打印的[快速设置选项卡](#)的设置。

1. [确认打印机是否已开启](#)
2. 在打印机中[装入纸张](#)
3. 打开[打印机驱动程序](#)的设置屏幕
4. 选择常用设置

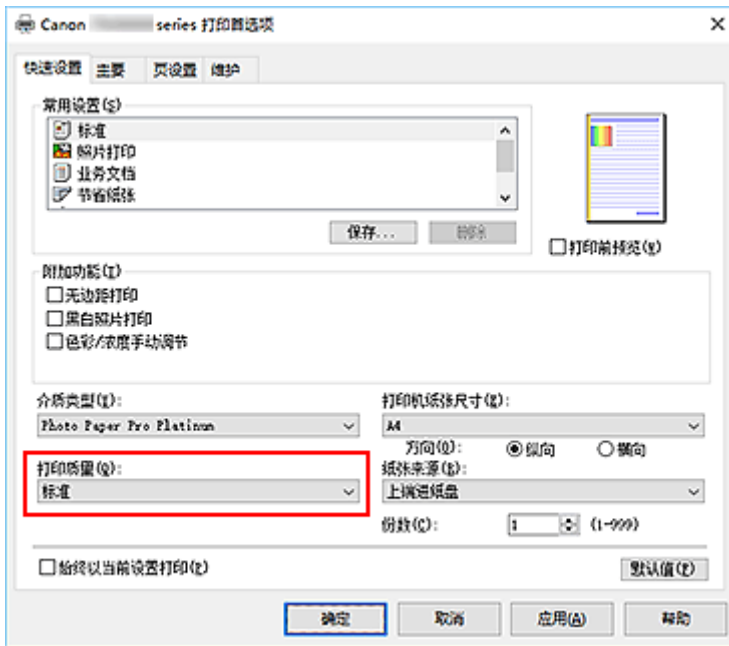
在[快速设置](#)选项卡上，使用[常用设置](#)从预设打印设置中进行选择。

选择打印设置时，[附加功能](#)、[介质类型](#)和[打印机纸张尺寸](#)设置将自动转换为预设值。



5. 选择打印质量

请将[打印质量](#)选择为高、标准或快速。

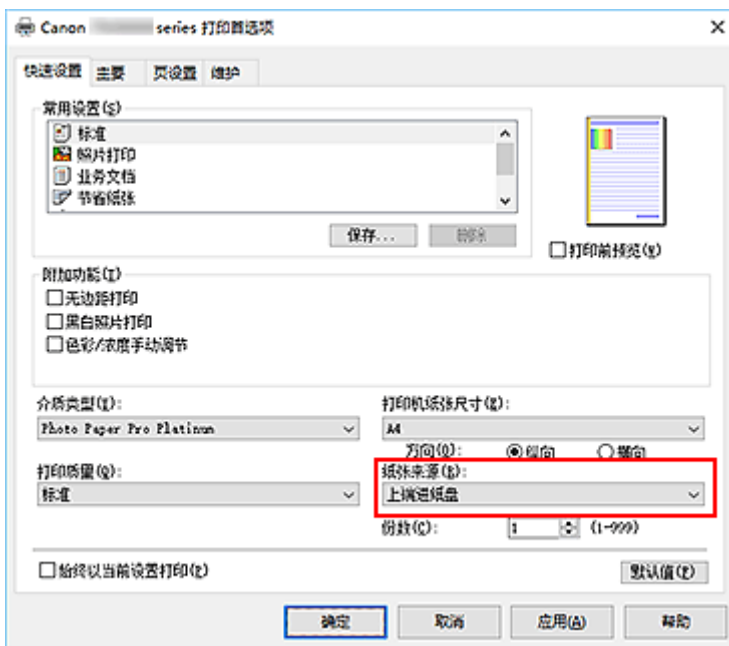


重要事项

- 根据选择的打印设置不同，打印质量的选项会有所不同。

6. 选择纸张来源

根据用途，将纸张来源选择为手动供纸或上端进纸盘。

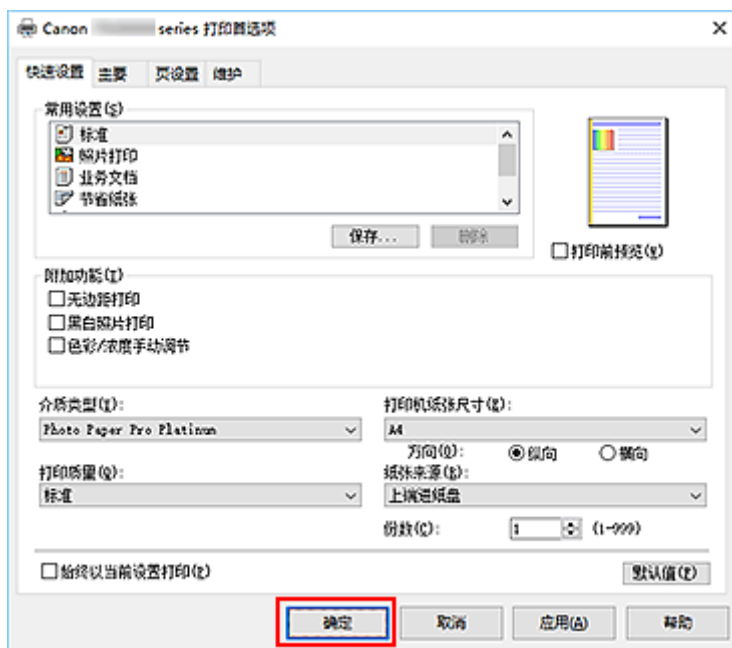


重要事项

- 根据纸张类型和尺寸，可选择的纸张来源设置可能不同。

7. 单击确定

打印机将使用这些设置进行打印。



重要事项

- 如果要执行大幅面打印，请确保墨水盒的剩余墨水充足。
- 选中**始终以当前设置打印**复选框时，会保存在**快速设置**、**主要**和**页设置**选项卡上指定的所有设置，并且下次也将使用相同的设置打印。
- 要**注册当前设置**为新的预设设置，请单击**常用设置**下的**保存...**
- 要使用手动进纸托盘进行打印，请按照屏幕上显示的说明执行操作。

注释

- 如果打印机驱动程序上的纸张设置与打印机上注册的纸张信息不同，可能会出现错误。有关发生错误时的操作说明，请参见“[注册纸张信息](#)”。
有关要在打印机上注册的纸张信息的详细信息，请参见以下内容：
 - [打印机驱动程序和打印机上的纸张设置\(介质类型\)](#)
 - [打印机驱动程序和打印机上的纸张设置\(纸张尺寸\)](#)
- 在打印机驱动程序中将**介质类型**设置为 **Matte Photo Paper**、**优质精细艺术 粗面相片打印纸**或 **Photo Paper Pro Premium Matte A** 时，建议在打印机驱动程序中将**打印机纸张尺寸**设置为 **10x15cm 4"x6"**、**L 89x127mm** 或“**XXX(边距 25)**”。
如果选择了“**XXX(边距 25)**”以外的其他页尺寸，可能会出现错误信息。
在显示的对话框中选择一个页尺寸，或转到**页设置**选项卡，显示**打印选项**对话框，然后更改[取消纸张尺寸的安全边距规则](#)设置。

打印机驱动程序和打印机上的纸张设置(介质类型)

使用该打印机时，选择符合打印用途的介质类型和**纸张尺寸**有助于获得最佳打印效果。
根据正在使用的介质类型，在打印机的操作面板或打印机驱动程序上指定介质类型设置，如下所述。

Canon 原装纸张(文档打印)

介质名称<型号>	打印机驱动程序中的介质类型	打印机上注册的纸张信息
Canon Red Label Superior <WOP111>	普通纸	普通纸
Canon Océ Office Colour Paper <SAT213>	普通纸	普通纸
高分辨率纸 <HR-101N>	高分辨率纸	高分辨率纸

Canon 原装纸张(照片打印)

介质名称<型号>	打印机驱动程序中的介质类型	打印机上注册的纸张信息
高级光面照片纸 II <PP-201/PP-208/PP-301>	高级光面照片纸 II A	高级光面 II A
优质专业照片纸 <PT-101>	Photo Paper Pro Platinum	Pro Platinum
专业绒面照片纸 <LU-101>	Photo Paper Pro Luster	Pro Luster
亚高光泽照片纸 <SG-201>	亚高光泽照片纸	亚高光泽
无光泽照片纸 <MP-101>	Matte Photo Paper	Matte
优质精细艺术 粗面相片打印纸 <FA-RG1>	优质精细艺术 粗面相片打印纸	精细艺术 粗面纸
光面照相纸"Everyday Use" <GP-501>	光面照相纸 A	光面 A
光面照相纸 <GP-701>	光面照相纸 A	光面 A
Photo Paper Pro Premium Matte <PM-101>	Photo Paper Pro Premium Matte A	ProPremiumMatteA

Canon 原装纸张(原创产品)

介质名称<型号>	打印机驱动程序中的介质类型	打印机上注册的纸张信息
Light Fabric Iron-on Transfers <LF-101>	浅色织物烫印贴纸	浅色织物烫印贴纸
Dark Fabric Iron-on Transfers <DF-101>	深色织物烫印贴纸	深色织物烫印贴纸

可购买的纸张

使用非原装 Canon 纸张时，可以使用打印机操作面板和打印机驱动程序中已设好的现有设置轻松进行打印。

介质名称	打印机驱动程序中的介质类型	打印机上注册的纸张信息
------	---------------	-------------

普通纸(包括再生纸)	普通纸	普通纸
照片纸(约 0.1 毫米到低于 0.3 毫米)	轻质照片纸 *1	轻质照片纸
照片纸(约 0.3 毫米到低于 0.6 毫米)	重磅照片纸 *1	重磅照片纸
Art 纸张(约 0.1 毫米到低于 0.3 毫米)	重磅 Fine Art 纸张 *1	重磅 Art 纸张
Art 纸张(约 0.3 毫米到低于 0.6 毫米)	特重磅 Fine Art 纸张 *1	特重磅 Art 纸张
具有画布外观的织物	Canvas *1	Canvas
日本和纸 Washi	日本和纸 Washi *1	日本和纸
信封	信封	信封
T 恤转印介质	T 恤转印介质	T 恤转印介质
贺卡	喷墨贺卡	喷墨贺卡
卡片纸	卡片纸	卡片纸

*1 要提高使用非 Canon 原装纸张时的打印质量和进纸情况，请使用 Media Configuration Tool 创建用户自定义纸张并将其添加至打印机。

这些介质类型可以用作用户定义纸张标准。

►► 注释

- 如果已使用 Media Configuration Tool 添加新的介质类型，则打开打印机驱动程序设置屏幕，然后从**维护**选项卡中选择**更新介质信息**并执行驱动程序介质信息更新。
在新添加的介质类型上打印时，将打印机驱动程序中的介质设置和打印机上注册的介质信息更改为新介质的信息。
- 在打印机驱动程序中将**介质类型**设置为 **Matte Photo Paper**、**优质精细艺术 粗面相片打印纸**或 **Photo Paper Pro Premium Matte A** 时，建议在打印机驱动程序中将**页尺寸**设置为 **10x15cm 4"x6"**、**L 89x127mm** 或 **"XXX(边距 25)"**。
有关可打印范围的信息，请参阅 [“打印区域”](#)。

打印机驱动程序和打印机上的纸张设置(纸张尺寸)

使用该打印机时，选择符合打印用途的纸张尺寸有助于获得最佳打印效果。
本打印机可以使用以下纸张尺寸。

打印机驱动程序中的打印机纸张尺寸	打印机上注册的纸张信息
Letter 22x28cm 8.5"x11"	Letter
Legal 22x36cm 8.5"x14"	Legal
279.4x431.8mm 11"x17"	28x43cm(11"x17")
A5	A5
A4	A4
A3	A3
A3+ 33x48cm 13"x19"	A3+
B5	B5
B4	B4
10x15cm 4"x6"	KG/10x15cm(4x6)
13x18cm 5"x7"	2L/13x18cm(5x7)
18x25cm 7"x10"	18x25cm(7"x10")
20x25cm 8"x10"	20x25cm(8"x10")
25x30cm 10"x12"	25x30cm(10"x12")
210x594mm	210x594mm
L 89x127mm	L(89x127mm)
2L 127x178mm	2L/13x18cm(5x7)
正方形 13x13cm 5"x5"	正方形 13cm
正方形 30x30cm 12"x12"	30x30cm(12"x12")
Letter(边距 25)	Letter
11x17(边距 25)	28x43cm(11"x17")
A4(边距 25)	A4
A3(边距 25)	A3
A3+(边距 25)	A3+
210x594mm(边距 25)	210x594mm

Hagaki 100x148mm	Hagaki
Hagaki 2 200x148mm	Hagaki 2
信封 Com 10	信封 Com 10
信封 DL	信封 DL
Nagagata 3 120x235mm	Nagagata 3
Nagagata 4 90x205mm	Nagagata 4
Yougata 4 105x235mm	Yougata 4
Yougata 6 98x190mm	Yougata 6
用户定义尺寸	其他

多种打印方法

- ▶ 设置页尺寸和方向
- ▶ 设置打印份数和打印顺序
- ▶ 执行无边距打印
- ▶ 比例打印
- ▶ 页面布局打印
- ▶ 平铺/海报打印
- ▶ 双面打印
- ▶ 设置信封打印
- ▶ 在明信片上打印
- ▶ 设置纸张尺寸(用户定义尺寸)
- ▶ 设置装订边距
- ▶ 按页面大小打印
- ▶ 书册打印
- ▶ 印记/背景打印
 - 注册印记
 - 注册图像数据以作为背景使用
- ▶ 根据用途切换纸张来源
- ▶ 打印前显示打印效果

设置页尺寸和方向

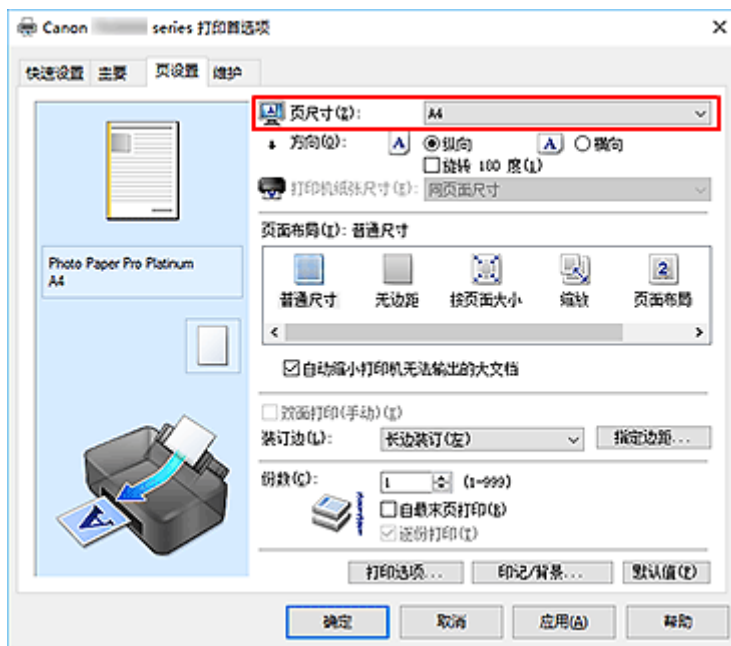
页尺寸和方向主要由应用程序软件决定。当**页设置**选项卡上的**页尺寸**和**方向**的设置与应用程序软件中的设置一致时，则无需在**页设置**选项卡上进行选择。

当您无法在应用程序软件中指定这些设置时，请按照以下步骤选择页尺寸和方向：
您也可以在**快速设置**选项卡上设置页尺寸和方向。

1. 打开**打印机驱动程序设置窗口**

2. 选择纸张尺寸

从**页设置**选项卡上的**页尺寸**列表中选择一种纸张尺寸。



3. 设置方向

将**方向**选择为**纵向**或**横向**。当要将原稿旋转 180 度执行打印时，请选中**旋转 180 度**复选框。

4. 单击**确定**

执行打印时，将按照所选的页尺寸和方向打印文档。

注释

- 如果将**页面布局**选择为**普通尺寸**，则显示**自动缩小打印机无法输出的大文档**。通常，可以选中复选框。打印过程中，如果不希望减小打印机无法打印的大文档，取消选中该复选框。

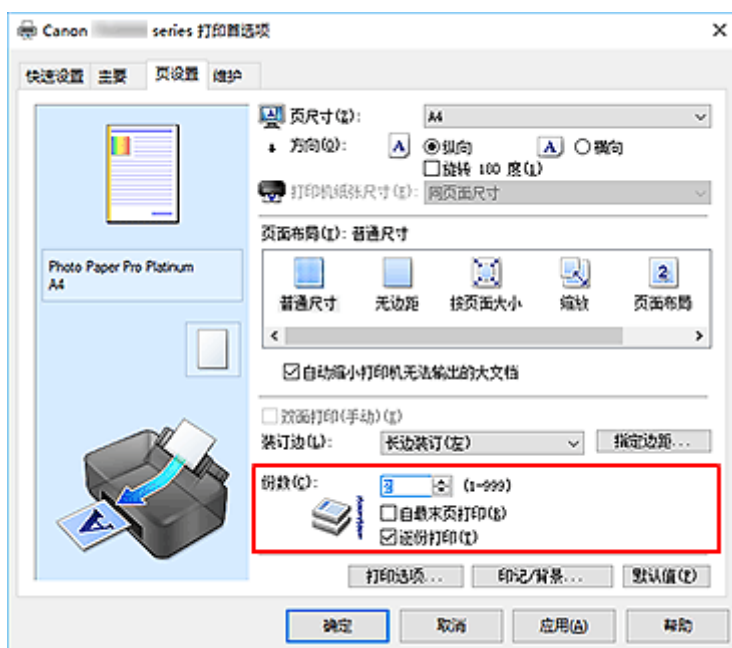
设置打印份数和打印顺序

您也可以在**快速设置**选项卡上设置打印份数。

1. 打开[打印机驱动程序设置窗口](#)

2. 指定要打印的份数

对于**页设置**选项卡上的**份数**，请指定要打印的份数。



3. 指定打印顺序

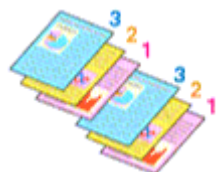
当要按顺序从最末页打印时，请选中**自最末页打印**复选框，但当从首页打印时取消选中该复选框。

当打印多份文档副本并要集中打印每份副本的所有页时，请选中**逐份打印**复选框。当要集中打印同一页码的所有页时，取消选中该复选框。

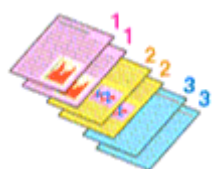
- 自最末页打印：/逐份打印：



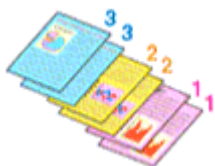
- 自最末页打印：/逐份打印：



- 自最末页打印：/逐份打印：



- 自最末页打印: /逐份打印:



4. 单击确定

执行打印时，将按照指定的打印顺序打印指定的份数。

重要事项

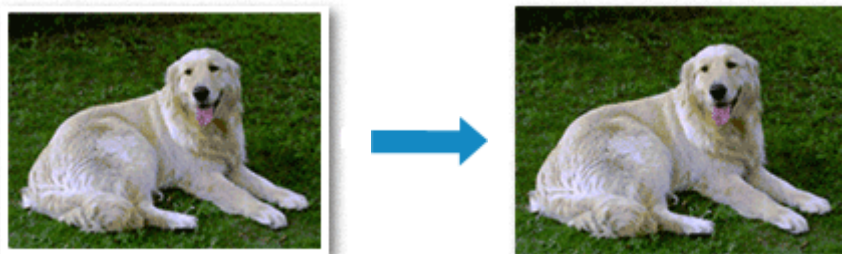
- 当创建文档的应用程序软件具有相同的功能时，请指定打印机驱动程序中的设置。然而，如果打印结果不能令人满意，请指定应用程序软件上的功能设置。当同时使用应用程序软件和本打印机驱动程序指定打印份数和打印顺序时，打印份数可能是两个设置的倍数或者指定的打印顺序可能不起作用。
- 将**页面布局**选择为**平铺/海报**时，**自最末页打印**将显示为灰色且不可用。
- 将**页面布局**选择为**书册**时，**自最末页打印**和**逐份打印**将显示为灰色且无法设置。
- 当选择**双面打印(手动)**时，**自最末页打印**显示为灰色且无法设置。

注释

- 同时设置**自最末页打印**和**逐份打印**时，可以执行自最末页开始的逐份打印。
这些设置可以与**普通尺寸**、**无边距**、**按页面大小**、**缩放**和**页面布局**结合起来使用。

执行无边距打印

无边距打印功能可以放大数据使其略微超出纸张，从而使打印的数据没有任何边距。在标准打印中，将在文档区域周围创建边距。但是在无边距打印功能中，不会创建这些边距。当要使打印数据(如照片)不带任何边距时，请设置无边距打印。



您也可以在快速设置选项卡上的附加功能中设置无边距打印。

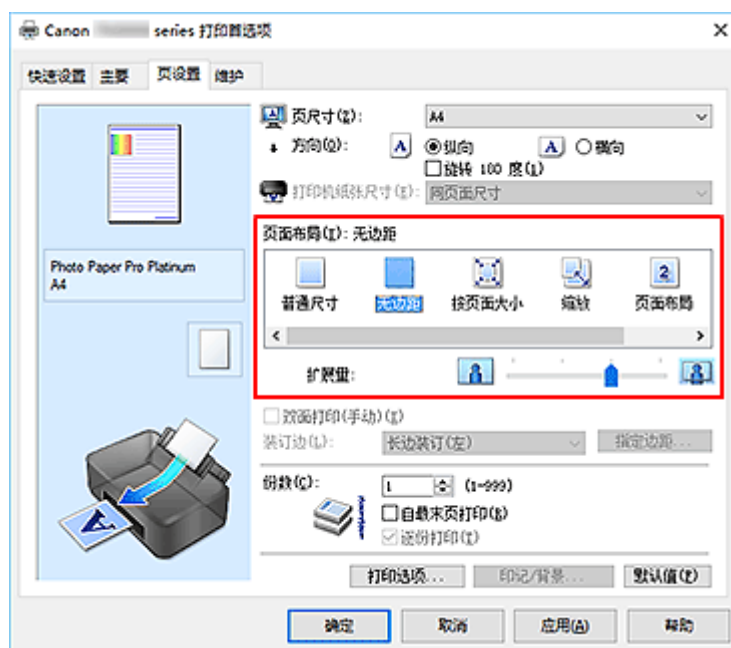
注释

- 您也可以在打印机的操作面板上设置无边距缩放比例，但会优先使用打印机驱动程序上的设置。

设置无边距打印

1. 打开[打印机驱动程序设置窗口](#)
2. 设置无边距打印

从页设置选项卡上的页面布局列表中选择无边距。



出现确认信息时，单击**确定**。

出现信息提示您更改介质类型时，请从列表中选择介质类型并单击**确定**。

3. 检查纸张尺寸

检查页尺寸列表。想要更改此项时，请从列表中选择其他页尺寸。列表仅显示适用于无边距打印的尺寸。

4. 调整纸张的扩展量

根据需要，使用扩展量滑块调整扩展量。

向右移动滑块增加超出纸张的扩展量，向左移动减少超出纸张的扩展量。

在大多数情况下，建议将滑块调至从右边数第二个位置。



重要事项

- 将扩展量滑块调至最右端位置时，纸张背面可能会变脏。

5. 单击确定

执行打印时，打印数据覆盖整个页面，没有页边距。

重要事项

- 当选择了不适用于无边距打印的页尺寸时，该尺寸将自动更改为适用于无边距打印的页尺寸。
- 当选择了无边距时，页设置选项卡上的打印机纸张尺寸、双面打印(手动)、装订边设置和印记/背景...按钮将显示为灰色且不可用。
- 从主要选项卡上的介质类型列表中选择信封、Hagaki A、浅色织物烫印贴纸、深色织物烫印贴纸、高分辨率纸或 T 恤转印介质时，无法执行无边距打印。
- 根据纸张类型，无边距打印可能降低纸张上边缘和下边缘处的打印质量。
在厚纸上进行无边距打印还可能会弄脏纸张正面或背面。
- 当纸张的长宽比例不同于图像数据时，根据使用的介质尺寸，可能无法打印部分图像。
在这种情况下，根据纸张尺寸使用应用程序软件裁剪图像数据。

注释

- 在主要选项卡上将介质类型选择为普通纸时，不推荐使用无边距打印。因此，将显示介质选择的信息。
如果您正在使用普通纸进行测试打印，请选择普通纸，并单击确定。

扩展文档的打印范围

设置较大的扩展量可确保无边距打印顺利执行。然而，无法打印超出纸张范围的文档部分，因此，可能无法打印照片边缘处的内容。

对无边距打印的结果不满意时，请减少扩展量。向左移动扩展量滑块减少扩展量。

重要事项

- 当减少扩展量时，根据纸张尺寸，打印件上可能会出现多余的边距。

注释

- 当扩展量滑块设置在最左端时，将以全尺寸打印图像数据。

- 当在**打印前预览**选项卡上选中了**主要**时，可以在打印前确认是否没有边距。
- 要在 **Matte Photo Paper**、**优质精细艺术 粗面相片打印纸**或 **Photo Paper Pro Premium Matte A** 上执行无边距打印，请转到**页设置**选项卡，显示**打印选项**对话框，然后更改[取消纸张尺寸的安全边距规则](#)设置。

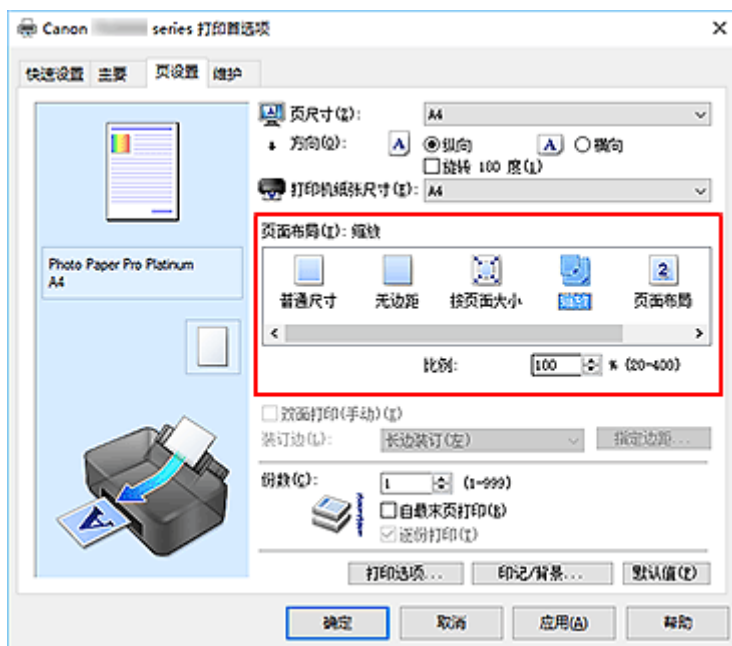
比例打印



1. 打开打印机驱动程序设置窗口

2. 设置比例打印

从页设置选项卡上的页面布局列表中选择缩放。



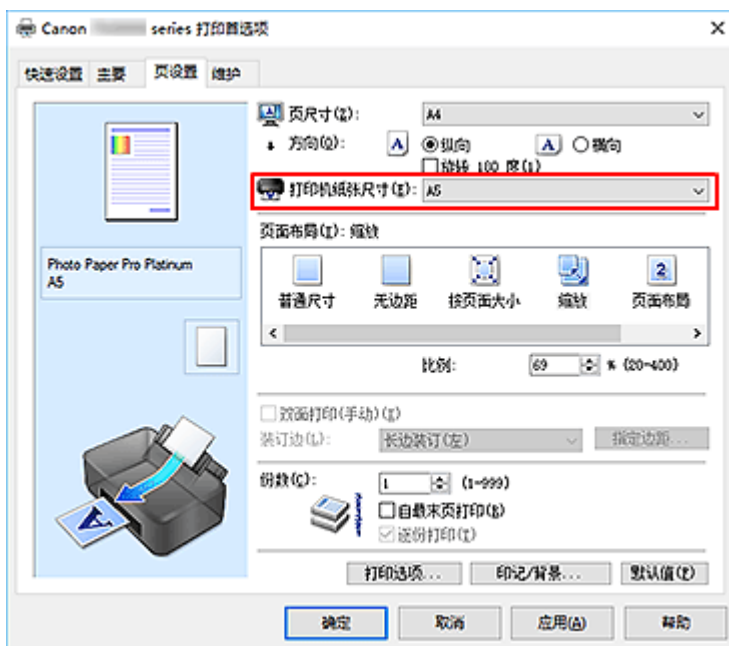
3. 选择文档的纸张尺寸

使用页尺寸，选择使用应用程序软件设置的页尺寸。

4. 使用以下一种方法设置缩放比例：

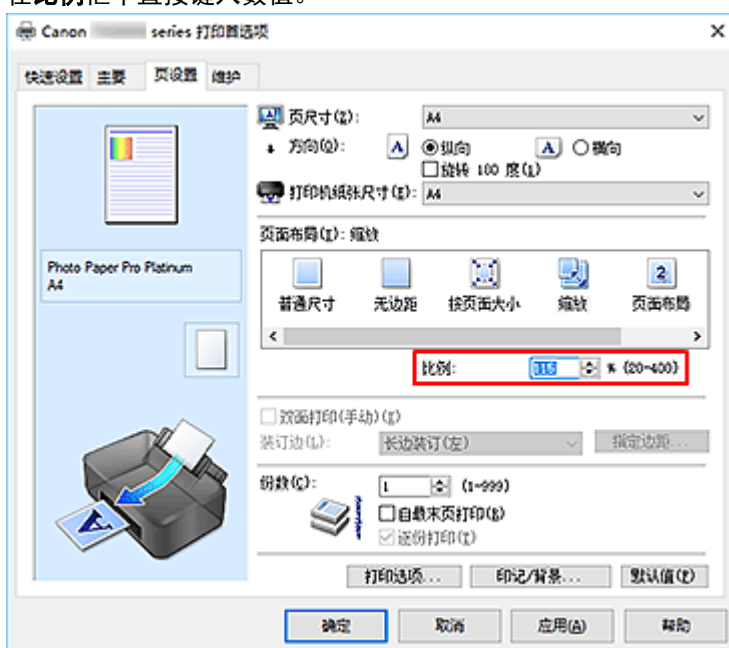
• 选择一种打印机纸张尺寸

当打印机纸张尺寸小于页尺寸时，页面图像将被缩小。当打印机纸张尺寸大于页尺寸时，页面图像将被放大。



- 指定比例因数

在比例框中直接键入数值。



当前设置显示在打印机驱动程序左侧的设置预览中。

5. 单击确定

执行打印时，将以指定的比例打印文档。

重要事项

- 当用于创建原稿的应用程序软件具有比例打印功能时，请在该应用程序软件上配置此设置。您无需在打印机驱动程序中配置相同的设置。

注释

- 选择**缩放**将更改文档的可打印区域。

页面布局打印

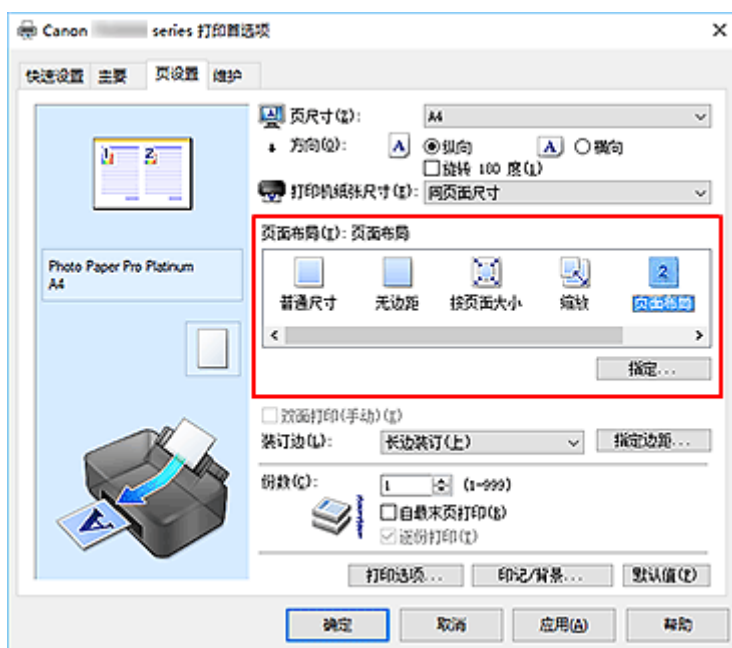
页面布局打印功能可以在一张纸上打印多页图像。



1. 打开打印机驱动程序设置窗口

2. 设置页面布局打印

从页设置选项卡上的页面布局列表中选择页面布局。
当前设置显示在打印机驱动程序左侧的设置预览中。

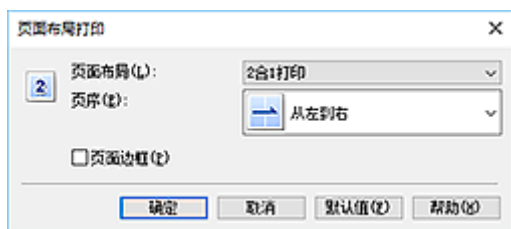


3. 选择打印纸张尺寸

从打印机纸张尺寸列表中选择装入打印机的纸张尺寸。

4. 设置在单页上要打印的页数和页序

如有必要，单击指定...，在页面布局打印对话框中指定以下设置，然后单击确定。



页面布局

要更改在单页纸上的打印份数，请从列表中选择份数。

页序

要更改页面排列顺序，请从列表中选择一种放置方法。

页面边框

要在各文档页面周围打印页面边框，请选中该复选框。

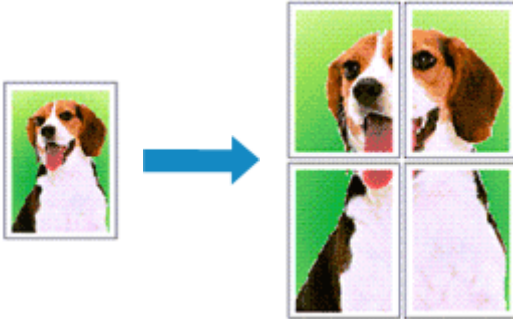
5. 完成设置

单击**页设置**选项卡上的**确定**。

执行打印时，将按照指定顺序在每张纸上排列指定数量的页面。

平铺/海报打印

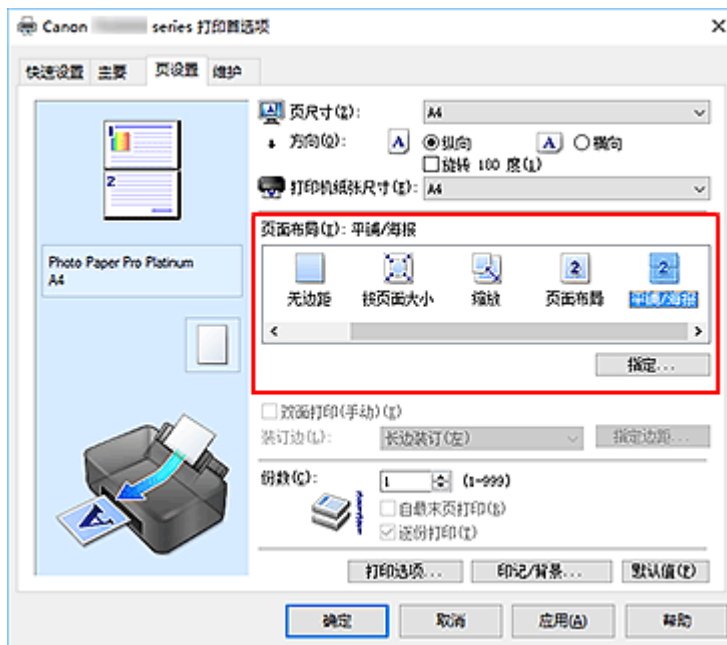
平铺/海报打印功能可以放大图像数据，将放大后的数据分成几页并分别打印在单独的纸张上。可以将多页粘在一起制作大型印刷品，如海报。



设置平铺/海报打印

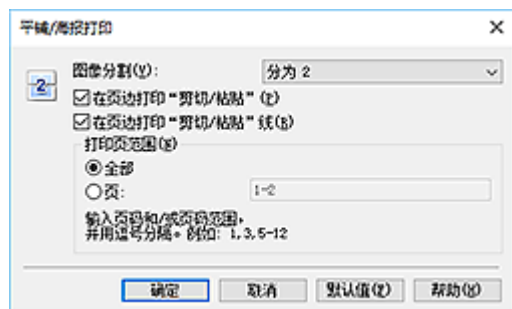
1. 打开[打印机驱动程序设置窗口](#)
2. 设置平铺/海报打印

从页设置选项卡上的页面布局列表中选择平铺/海报。
当前设置显示在打印机驱动程序左侧的设置预览中。



3. 选择打印纸张尺寸
从打印机纸张尺寸列表中选择装入打印机的纸张尺寸。
4. 设置图像分割和要打印页的数目

如有必要，单击**指定...**，在**平铺/海报打印**对话框中指定以下设置，然后单击**确定**。



图像分割

选择分割数目(垂直 x 水平)。

随着分割数目的增加，打印所需的纸张也会增加。如果将多页粘贴在一起制作海报，增加分割数目可以制作大型海报。

在页边打印“剪切/粘贴”

要省略“剪切”和“粘贴”文字，不选中该复选框。

»» 注释

- 根据正在使用的打印机驱动程序的环境，此功能可能不可用。

在页边打印“剪切/粘贴”线

要省略剪切线，不选中该复选框。

打印页范围

指定打印范围。通常情况下选择**全部**。

要仅重新打印指定页面，选择**页数**并输入要打印的页数。要指定多页，请用逗号分隔输入的页码或在页码间输入连字符来输入页数。

»» 注释

- 通过单击设置预览中的页面，您也可以指定打印范围。

5. 完成设置

单击**页设置**选项卡上的**确定**。

执行打印时，打印过程中文档将被分割成多个页面。

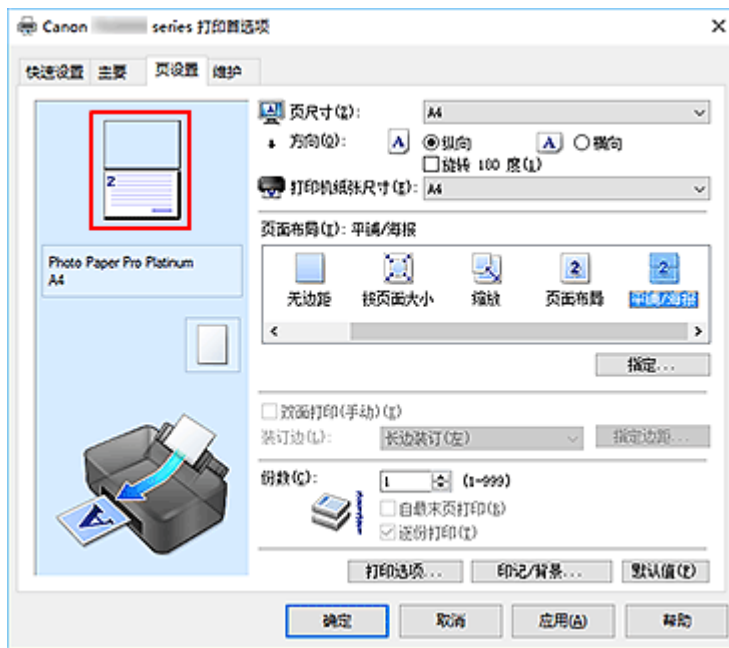
仅打印指定页面

如果打印期间墨水变得暗淡或耗尽，您可以仅重新打印指定的页面，步骤如下：

1. 设置打印范围

在**页设置**选项卡左侧的设置预览中，单击不需要打印的页面。

将删除被单击的页面，仅显示需要打印的页面。



注释

- 单击已删除的页可再次显示。
- 右键单击设置预览以选择打印所有页或删除所有页。

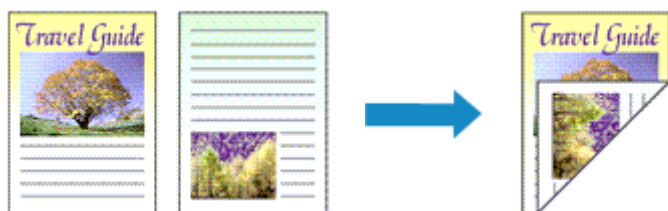
2. 完成设置

完成页面选择后，单击**确定**。
执行打印时，仅打印指定页。

重要事项

- 因为打印时平铺/海报打印使文档放大，打印结果可能变得粗糙。

双面打印

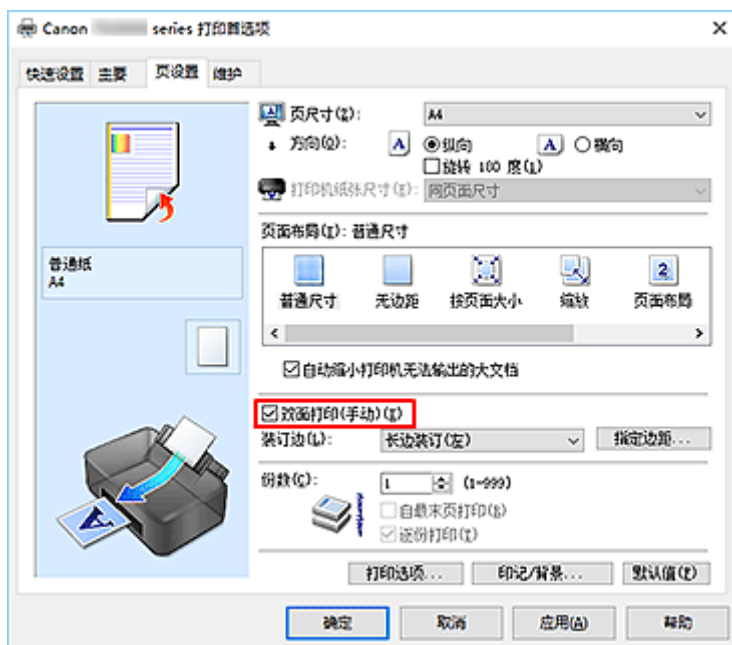


当快速设置选项卡上的常用设置选择了**业务文档**或**节省纸张**时，也可以通过使用**附加功能**来设置双面打印。

1. 打开[打印机驱动程序设置窗口](#)

2. 设置双面打印

在**页设置**选项卡上选中**双面打印(手动)**复选框。



3. 选择布局

从**页面布局**列表中选择**普通尺寸**、**按页面大小**、**缩放**或**页面布局**。

4. 指定装订边

从**方向**和**页面布局**设置自动选择最佳**装订边**。想要更改此设置时，请从列表中选择其他装订边。

5. 设置边距宽度

如有必要，单击**指定边距...**并设置边距的宽度，然后单击**确定**。

6. 完成设置

单击**页设置**选项卡上的**确定**。

执行打印时，首先在纸张的单面打印文档。打印完一面后，根据信息重新正确装入纸张。

然后单击**开始打印**以打印另一面。

»» 重要事项

- 在**主要**选项卡的**介质类型**中选择**普通纸**以外的介质类型时，**双面打印(手动)**显示为灰色且不可用。
- 当从**页面布局**列表选择了**无边距、平铺/海报**或**书册**时，**双面打印(手动)**和**装订边**将显示为灰色且不可用。

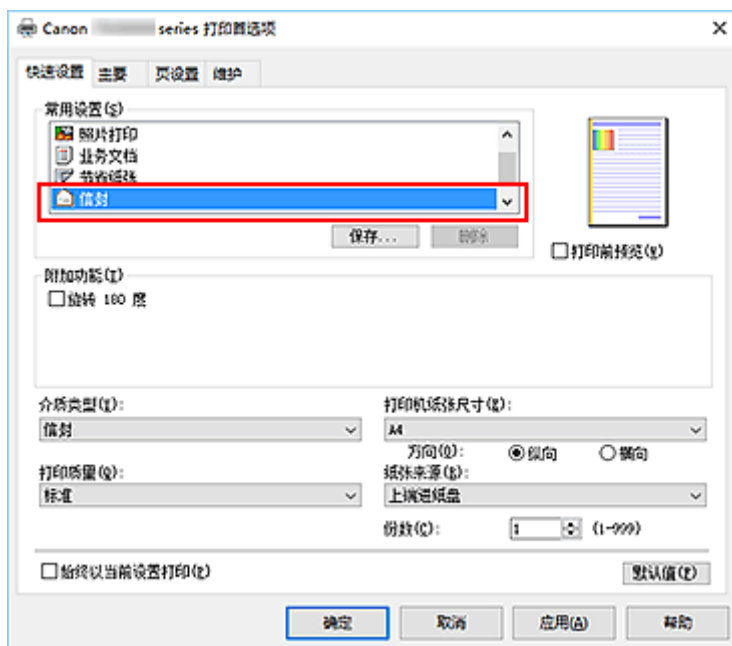
相关主题

- [更改打印机操作模式](#)

设置信封打印

1. 在打印机中[装入信封](#)
2. 打开[打印机驱动程序设置窗口](#)
3. 选择介质类型

从快速设置选项卡上的常用设置中选择信封。

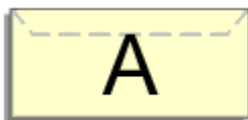


4. 选择纸张尺寸

显示信封尺寸设置对话框时，选择 **Yougata 4 105x235mm**、**Yougata 6 98x190mm**、**信封 Com 10** 或**信封 DL**，然后单击确定。

5. 设置方向

要水平打印收件人，请将方向选择为**横向**。



►► 注释

- 如果将打印机纸张尺寸选择为**信封 Com 10**、**信封 DL**、**Yougata 4 105x235mm** 或 **Yougata 6 98x190mm**，则无论是否将 [Canon IJ Printer Assistant Tool](#) 中的用户定义设置设置为当方向为**[横向]**时向左旋转 90 度，打印机都会将纸张向左旋转 90 度以打印。

6. 选择打印质量

从**打印质量**中选择合乎用途的**高**或**标准**。

7. 单击确定

执行打印时，将在信封上打印信息。

重要事项

- 执行信封打印时，将显示指南信息。
要隐藏指南信息，选中**不再显示此消息**复选框。
要再次显示该指南，单击**维护**选项卡上的**查看打印机状态**按钮并启动 Canon IJ Status Monitor。
然后从**选项菜单**的**显示指南信息**上单击**信封打印**，以启用设置。

注释

- 如果打印机驱动程序上的纸张设置与打印机上注册的纸张信息不同，可能会出现错误。有关发生错误时的操作说明，请参见“[注册纸张信息](#)”。
有关要在打印机上注册的纸张信息的详细信息，请参见以下内容：
 - [打印机驱动程序和打印机上的纸张设置\(介质类型\)](#)
 - [打印机驱动程序和打印机上的纸张设置\(纸张尺寸\)](#)

在明信片上打印

1. 在打印机中[装入明信片](#)

2. 打开[打印机驱动程序设置窗口](#)

3. 选择常用设置

显示**快速设置**选项卡并将**常用设置**选择为**标准**。

4. 选择介质类型

对于**介质类型**，选择 **Hagaki A**、**Ink Jet Hagaki** 或 **Hagaki**。

▶▶▶ 重要事项

- 本打印机无法打印附有照片或贴纸的明信片。
- 如果先打印信息面再打印地址面，打印结果会更清晰。
- 根据是在地址面打印还是在信息面打印，打印机驱动程序上的纸张设置有所不同。
有关要注册到打印机驱动程序的纸张信息和要在打印机上注册的纸张信息的详细资料，请参见以下内容：
 - [打印机驱动程序和打印机上的纸张设置\(介质类型\)](#)
 - [打印机驱动程序和打印机上的纸张设置\(纸张尺寸\)](#)

5. 选择纸张尺寸

对于**打印机纸张尺寸**，选择 **Hagaki 100x148mm** 或 **Hagaki 2 200x148mm**。

▶▶▶ 重要事项

- 只有从计算机打印时才可以使用回复明信片。
- 打印回复明信片时，务必从应用程序软件或打印机驱动程序将纸张尺寸设置为 **Hagaki 2 200x148mm**。
- 请勿折叠回复明信片。如果形成折痕，打印机将无法正确送入明信片，这种情况将造成线条偏移或卡纸。
- 回复明信片不能使用无边距打印。

6. 设置打印方向

要水平打印地址，请将**方向**设置为**横向**。

7. 选择打印质量

对于**打印质量**，根据用途，请选择**高**或**标准**。

8. 单击**确定**

执行打印时，将在明信片上打印数据。

重要事项

- 如果要在执行明信片打印时显示指南信息，请打开**维护**选项卡，单击**查看打印机状态**启动 Canon IJ Status Monitor。
在**选项**菜单上，选择**显示指南信息**并单击 **Hagaki 打印**以启用设置。
要隐藏该指南信息，请选择**不再显示此消息**复选框。
- 在明信片以外的其他介质上打印时，根据该介质的使用方法装入介质，然后单击**开始打印**。

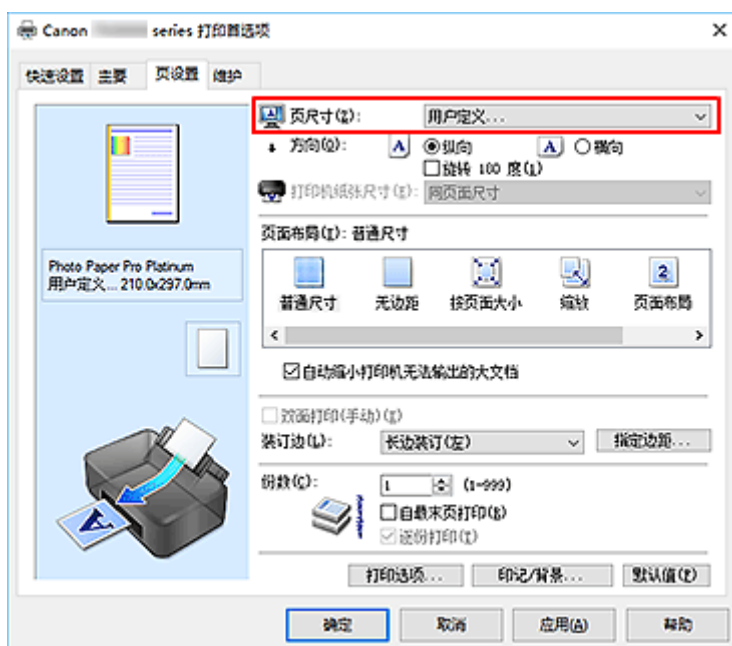
设置纸张尺寸(用户定义尺寸)

当从页尺寸中无法选择所需纸张尺寸时，可以指定纸张的高度和宽度。此类纸张尺寸称为“用户定义尺寸”。您也可以设置快速设置选项卡上打印机纸张尺寸中的用户定义尺寸。

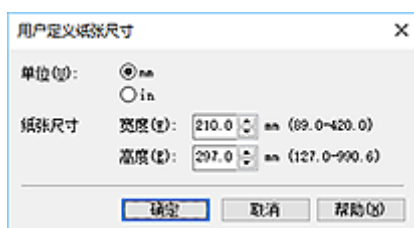
1. 打开打印机驱动程序设置窗口

2. 选择纸张尺寸

将页设置选项卡上的页尺寸选择为用户定义...



用户定义纸张尺寸对话框打开。



3. 设置用户定义纸张尺寸

指定单位，并输入所用纸张的宽度和高度。然后单击确定。

4. 完成设置

单击页设置选项卡上的确定。

执行打印时，将以指定的纸张尺寸打印数据。

重要事项

- 如果创建文档的应用程序软件具有允许用户指定高度和宽度值的功能时，请使用该应用程序软件设置这些值。如果应用程序软件不具有该功能或无法正确打印文档时，请执行上述步骤从打印机驱动程序设置这些值。

注释

- 根据指定的用户定义介质的尺寸，可能会禁用打印。
有关用户定义介质的可打印尺寸的信息，请参见“[支持的介质类型](#)”。
- 如果打印机驱动程序上的纸张设置与打印机上注册的纸张信息不同，可能会出现错误。有关发生错误的操作说明，请参见“[注册纸张信息](#)”。
有关要在打印机上注册的纸张信息的详细信息，请参见以下内容：
 - [打印机驱动程序和打印机上的纸张设置\(介质类型\)](#)
 - [打印机驱动程序和打印机上的纸张设置\(纸张尺寸\)](#)

设置装订边距



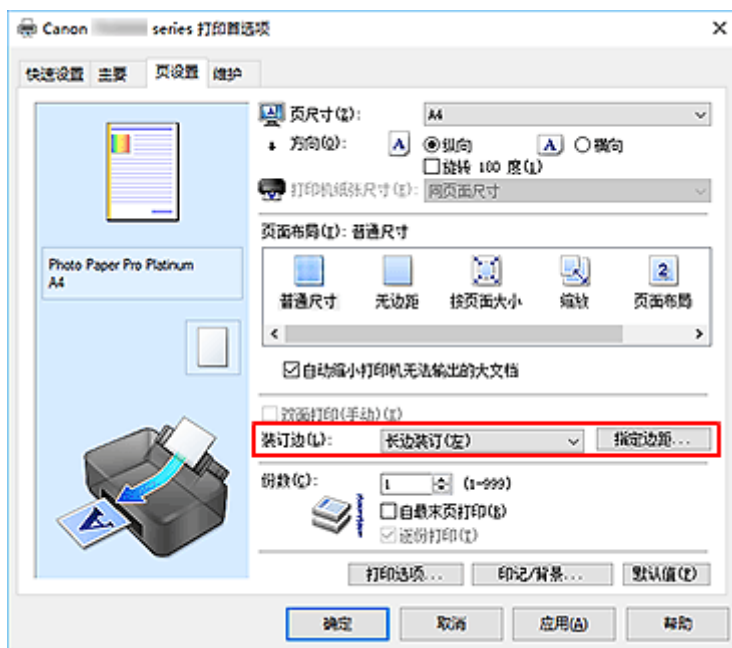
设置装订边和边距宽度的步骤如下：

1. 打开[打印机驱动程序设置窗口](#)

2. 指定装订边

从[页设置](#)选项卡上的[装订边](#)中查看装订边距的位置。

打印机将分析方向和页面布局设置，并自动选择最佳装订位置。想要更改设置时，请从列表中进行选择。



3. 设置边距宽度

如有必要，单击[指定边距...](#)并设置边距的宽度，然后单击[确定](#)。

►► 注释

- 根据装订位置边距，打印机将自动减少打印区域。

4. 完成设置

单击**页设置**选项卡上的**确定**。

执行打印时，将以指定的装订边及边距宽度打印数据。

»» 重要事项

- 出现以下情况时，**装订边**和**指定边距...**将显示为灰色且不可用：
 - 将**页面布局**选择为**无边距、平铺/海报或书册**
 - 在**页面布局**中选择了**缩放**[当同时选择了**双面打印(手动)**时，仅可指定**装订边**。]

按页面大小打印

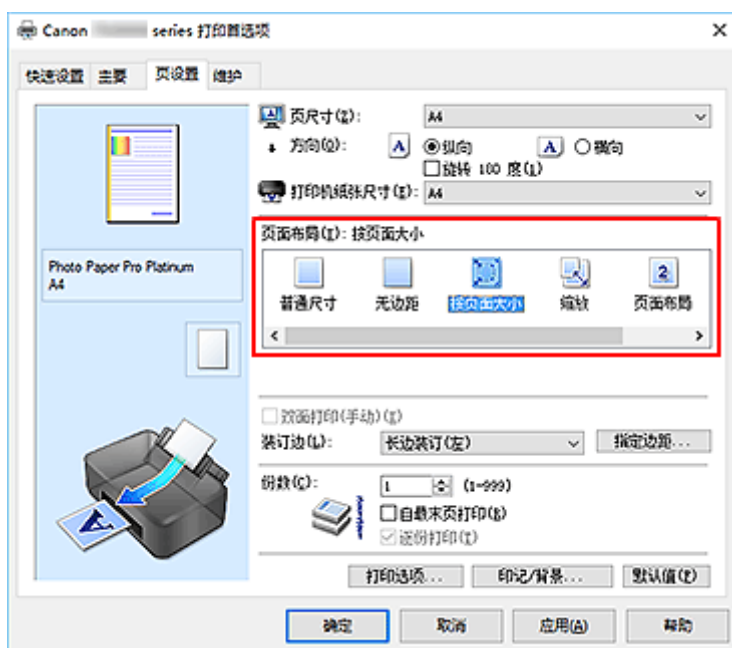


打印自动放大或缩小的文档以符合要使用的页尺寸的步骤如下：

1. 打开[打印机驱动程序设置窗口](#)

2. 设置按页面大小打印

从页设置选项卡上的页面布局列表中选择按页面大小。



3. 选择文档的纸张尺寸

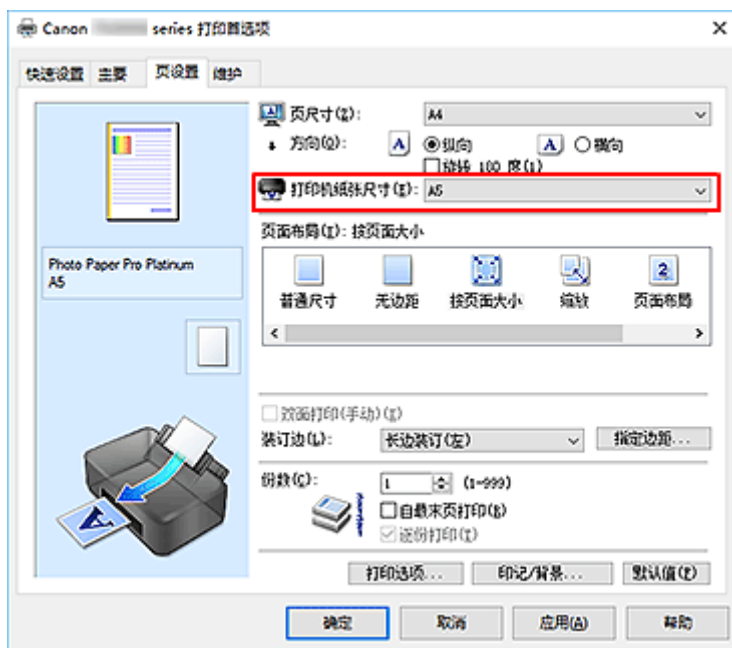
使用页尺寸，选择使用应用程序软件设置的页尺寸。

4. 选择打印纸张尺寸

从打印机纸张尺寸列表中选择装入打印机的纸张尺寸。

当打印机纸张尺寸小于页尺寸时，页面图像将被缩小。当打印机纸张尺寸大于页尺寸时，页面图像将被放大。

当前设置显示在打印机驱动程序左侧的设置预览中。

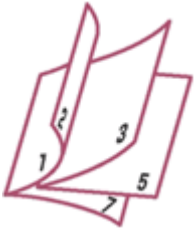


5. 单击确定

执行打印时，将放大或缩小文档以符合页尺寸。

书册打印

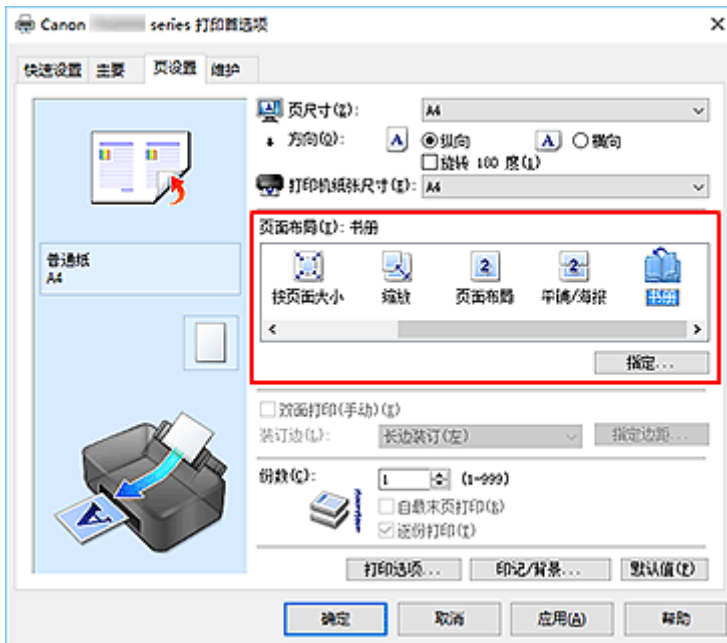
书册打印功能可以将数据打印成册。将在纸张的双面打印数据。此打印类型可以确保将打印好的纸张沿中心对折并装订时，能够按照页码顺序正确分页。



1. 打开[打印机驱动程序设置窗口](#)

2. 设置书册打印

从**页设置**选项卡上的**页面布局**列表中选择**书册**。
当前设置显示在窗口左侧的设置预览中。



3. 选择打印纸张尺寸

从**打印机纸张尺寸**列表中选择装入打印机的纸张尺寸。

4. 设置装订边和边距宽度

单击**指定...**，并在**书册打印**对话框中指定以下设置，然后单击**确定**。

装订边

当完成书册打印时，选择装订边应在哪一边上。

插入空白页

要将纸张的单面保留为空白，请选中该复选框，然后要选择保留为空白的页。

边距

输入边距宽度。从纸张的中心算起，该指定宽度为一页的页边距宽度。

页面边框

要在各文档页面周围打印页面边框，请选中该复选框。

5. 完成设置

单击**页设置**选项卡上的**确定**。

执行打印时，将在纸张的单面打印文档。打印完一面后，按照提示信息正确设置纸张并单击**确定**。

另一面打印结束时，将纸张沿装订边中央对折，做成书册。

重要事项

- 当主要选项卡上的**介质类型**选择了**普通纸**以外的纸张时，无法选择**书册**。

注释

- 使用书册打印的**插入空白页**功能无法在插入的空白页上打印印记和背景。

印记/背景打印

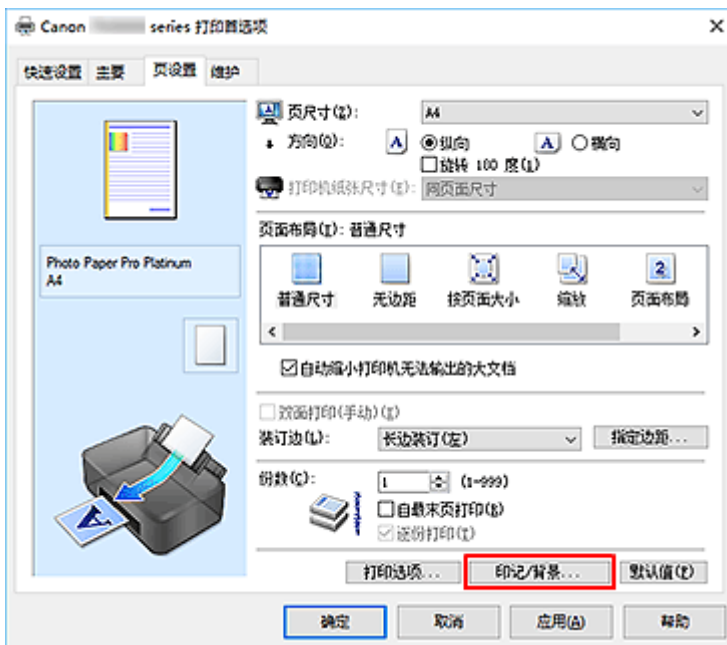
当使用某些操作环境时，**印记或背景**可能不可用。

印记功能可以在文档数据之上或之下打印印记文本或位图。该功能可以打印日期、时间和用户名称。**背景**功能可以在文档数据之下打印浅色的图案。

打印印记

已预先注册“保密”、“重要”等公司里常用印记。

1. 打开[打印机驱动程序设置窗口](#)
2. 单击页设置选项卡上的**印记/背景...**



印记/背景对话框打开。

3. 选择一种印记

选中**印记**复选框，从列表中选择要使用的印记。
当前设置显示在**页设置**选项卡左侧的设置预览中。

4. 设置印记详细信息

如有必要，指定以下设置，然后单击**确定**。

定义印记...按钮

要[更改印记文本、位图或位置](#)，单击该按钮。

在文本上盖印记

要在文档之上打印印记，请选中该复选框。

»» 注释

- 印记与文档重叠时，印记优先，因为印记打印在文档数据之上。没有选中该复选框时，印记将打印于文档数据之下，并且根据使用的应用程序软件，印记与文本重叠的部分可能被文本遮盖。

仅在首页加印记

要仅在首页打印印记，请选中该复选框。

5. 完成设置

单击**页设置**选项卡上的**确定**。

执行打印时，打印数据将带有指定印记。

打印背景

已预先将两个位图文件注册为样品。

1. 打开[打印机驱动程序设置窗口](#)

2. 单击**页设置**选项卡上的**印记/背景...**

印记/背景对话框打开。

3. 选择背景

选中**背景**复选框，然后从列表中选择要使用的背景。

当前设置显示在**页设置**选项卡左侧的设置预览中。

4. 设置背景详细信息

如有必要，完成以下设置，然后单击**确定**。

选择背景...按钮

要[使用其他背景或更改背景的布局或浓度](#)，单击该按钮。

仅在首页加背景

要仅在首页打印背景，请选中该复选框。

5. 完成设置

单击**页设置**选项卡上的**确定**。

执行打印时，打印数据将带有指定背景。

»» 重要事项

- 当选择无边距时，**印记/背景...**按钮显示为灰色且不可用。

»» 注释

- 使用书册打印的**插入空白页**功能无法在插入的空白页上打印印记和背景。

相关主题

- [注册印记](#)
- [注册图像数据以作为背景使用](#)

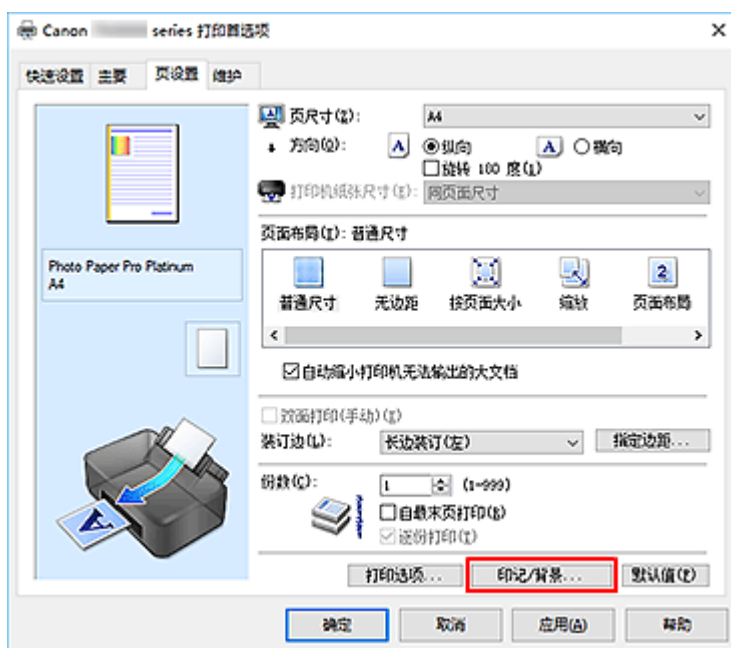
注册印记

当使用某些操作环境时，该功能可能不可用。

您可以创建并注册新的印记。您也可以更改和重新注册现有印记的某些设置。不需要的印记可以随时删除。

注册新的印记

1. 打开[打印机驱动程序设置窗口](#)
2. 单击页设置选项卡上的印记/背景...



印记/背景对话框打开。

3. 单击定义印记...

印记设置对话框打开。

4. 对照预览窗口配置印记

- 印记选项卡

将印记类型选择为合乎用途的文本、位图或日期/时间/用户名称。

- 对于文本注册，必须已在印记文本中输入了字符。如有必要，更改 TrueType 字体、风格、大小和外框的设置。可以通过单击选择颜色...来选择印记的颜色。
- 对于位图，单击选择文件...并选择要使用的位图文件(.bmp)。如有必要，请更改大小和透明白色区的设置。
- 对于日期/时间/用户名称，打印对象的创建日期/时间和用户名称将显示在印记文本中。如有必要，更改 TrueType 字体、风格、大小和外框的设置。可以通过单击选择颜色...来选择印记的颜色。

重要事项

- 当选择了日期/时间/用户名称时，印记文本显示为灰色且不可用。

• 放置选项卡

从位置列表中选择印记位置。您也可以从位置列表中选择用户定义，并指定 X 轴位置和 Y 轴位置的坐标。

您可以在预览窗口中拖动印记更改印记位置。

要更改印记位置角度，请在旋转框中直接键入数值。

重要事项

- 将印记选项卡上的印记类型选择为位图时，无法更改旋转。

5. 保存印记

单击保存设置选项卡并在标题框中输入一个标题，然后单击保存。

出现确认信息时，单击确定。

注释

- 标题的开头和末尾不能输入空格、制表符和回车。

6. 完成设置

已注册的标题出现在印记列表中。

更改并注册部分印记设置

1. 选择要更改设置的印记

选择印记/背景对话框中的印记复选框。然后从列表选择要更改的印记的标题。

2. 单击定义印记...

印记设置对话框打开。

3. 对照预览窗口配置印记

4. 改写保存印记

单击保存设置选项卡上的保存改写。

当要使用其他标题保存印记时，可在标题框中键入一个新标题并单击保存。

出现确认信息时，单击确定。

5. 完成设置

已注册的标题出现在印记列表中。

删除不需要的印记

1. 单击印记/背景对话框中的定义印记...

印记设置对话框打开。

2. 选择要删除的印记

从保存设置选项卡上的印记列表中选择要删除的印记标题。然后单击删除。出现确认信息时，单击确定。

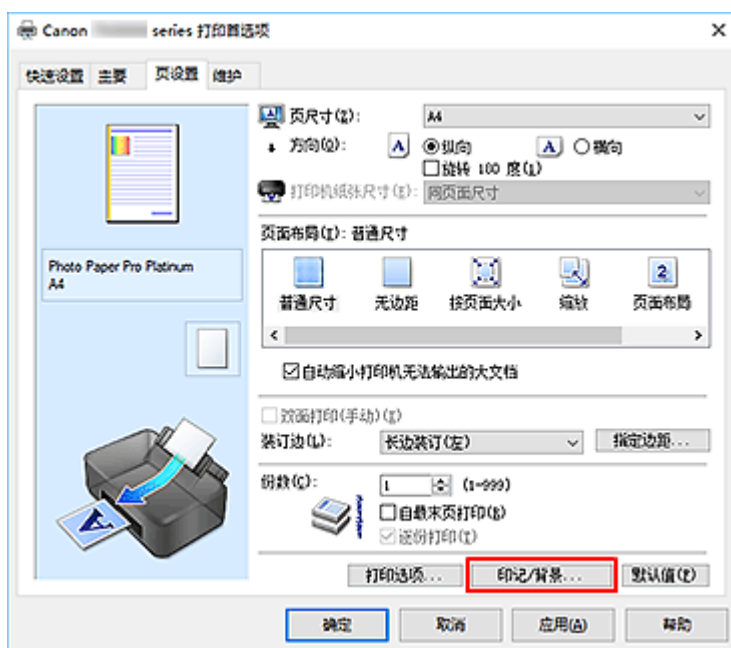
注册图像数据以作为背景使用

当使用某些操作环境时，该功能可能不可用。

您可以选择一个位图文件(.bmp)并将其注册为新背景。您也可以更改和注册现有背景的某些设置。不需要的背景可以删除。

注册新背景

1. 打开[打印机驱动程序设置窗口](#)
2. 单击[页设置](#)选项卡上的[印记/背景...](#)



印记/背景对话框打开。

3. 单击[选择背景...](#)

背景设置对话框打开。

4. 选择图像数据以注册为背景

单击[选择文件...](#)。选择目标位图文件(.bmp)，然后单击[打开](#)。

5. 浏览预览窗口时指定以下设置

布局方法

选择如何放置背景图像数据。

当选择用户定义时，可以设置 X 轴位置和 Y 轴位置的坐标。

您也可以在预览窗口中拖动图像来更改背景位置。

浓度

使用**浓度**滑块设置背景图像数据的浓度。向右移动滑块将使背景变暗，向左移动滑块将使背景变亮。要以原始位图浓度打印背景，请将滑块移至最右端。

6. 保存背景

单击**保存设置**选项卡并在**标题**框中输入一个标题，然后单击**保存**。
出现确认信息时，单击**确定**。

»» 注释

- 标题的开头和末尾不能输入空格、制表符和回车。

7. 完成设置

注册的标题显示在**背景**列表中。

更改并注册部分背景设置

1. 选择要更改设置的背景

选择**印记/背景**对话框中的**背景**复选框。然后从列表选择要更改的背景的标题。

2. 单击**选择背景...**

背景设置对话框打开。

3. 当浏览预览窗口时，请指定**背景**选项卡上的各项目

4. 保存背景

单击**保存设置**选项卡上的**保存改写**。要使用其他标题保存背景时，请在**标题**框中输入一个新标题并单击**保存**。

出现确认信息时，单击**确定**。

5. 完成设置

注册的标题显示在**背景**列表中。

删除不需要的背景

1. 单击**印记/背景**对话框中的**选择背景...**

背景设置对话框打开。

2. 选择要删除的背景

从**保存设置**选项卡上的**背景**列表中选择要删除的背景标题，然后单击**删除**。

出现确认信息时，单击**确定**。

根据用途切换纸张来源

在此打印机中，有两个纸张来源：手动进纸托盘和上端进纸盘。
您可以通过选择符合您的介质类型或用途的纸张来源设置来使打印变得更加简便。

设置纸张来源的步骤如下：

您也可以在**快速设置**选项卡上设置纸张来源。

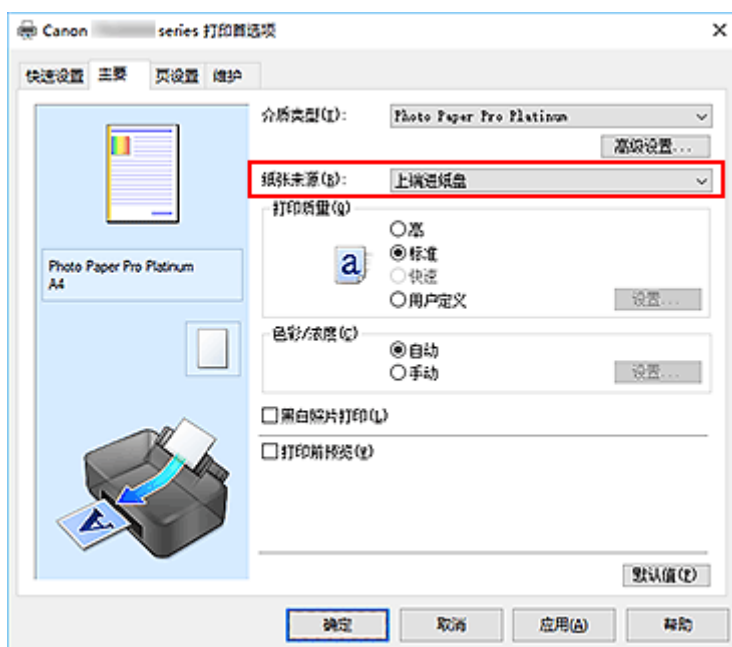
1. 打开[打印机驱动程序设置窗口](#)

2. 选择介质类型

从**主要**选项卡的**介质类型**列表中选择装入打印机的纸张类型。

3. 选择纸张来源

从**纸张来源**列表中选择合乎用途的纸张来源。



手动供纸

从后部的手动进纸托盘中供纸。

重要事项

- 在**页设置**选项卡上将页尺寸选择为 **A5**、**B5**、**10x15cm 4"x6"**、**13x18cm 5"x7"**、**18x25cm 7"x10"**、**L 89x127mm**、**2L 127x178mm**、**正方形 13x13cm 5"x5"**、**Hagaki 100x148mm**、**Hagaki 2 200x148mm**、**信封 Com 10**、**信封 DL**、**Nagagata 3 120x235mm**、**Nagagata 4 90x205mm**、**Yougata 4 105x235mm** 或 **Yougata 6 98x190mm** 时，无法从后部的手动进纸托盘中供纸。
- 将**主要**选项卡上的**介质类型**选择为**普通纸**、**信封**、**Hagaki A**、**Ink Jet Hagaki**、**Hagaki K**、**Hagaki**、**高分辨率纸**或**T 恤转印介质**时，无法从后部的手动进纸托盘中供纸。

上端进纸盘

从上端进纸盘供纸。

重要事项

- 将主要选项卡上的介质类型选择为重磅照片纸、优质精细艺术 粗面相片打印纸、Photo Paper Pro Premium Matte A 或特重磅 Fine Art 纸张时，无法从上端进纸盘中供纸。

4. 单击确定

执行打印时，打印机使用指定的纸张来源打印数据。

注释

- 如果打印机驱动程序上的纸张设置与打印机上注册的纸张信息不同，可能会出现错误。有关发生错误时的操作说明，请参见“[注册纸张信息](#)”。

有关要在打印机上注册的纸张信息的详细信息，请参见以下内容：

- [打印机驱动程序和打印机上的纸张设置\(介质类型\)](#)
- [打印机驱动程序和打印机上的纸张设置\(纸张尺寸\)](#)

打印前显示打印效果

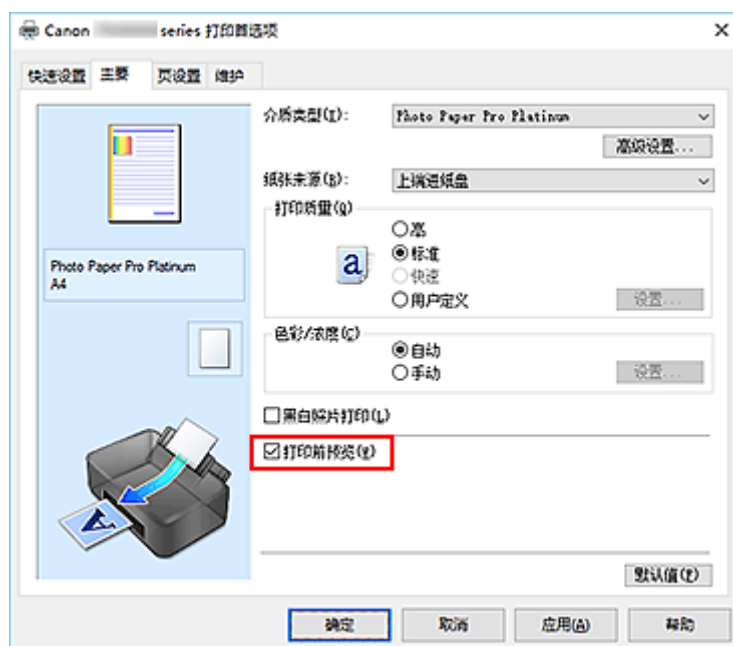
您可以在打印前显示并查看打印效果。

您也可以设置快速设置选项卡上的打印结果。

1. 打开[打印机驱动程序设置窗口](#)

2. 设置预览

选中主要选项卡上的打印前预览复选框。



3. 单击确定

执行打印时，Canon IJ 预览打开并显示打印效果。

相关主题

■ [Canon IJ 预览](#)

更改打印质量及修正图像数据

- ▶ 设置打印质量级别(用户定义)
- ▶ 用单色打印彩色文档
- ▶ 指定色彩修正
 - 图像数据最佳化照片打印
 - 使用打印机驱动程序调整色彩
 - 使用 ICC 配置文件进行打印
 - 解析 ICC 配置文件
- ▶ 调整色调
- ▶ 调整色彩平衡
- ▶ 调节亮度
- ▶ 调节对比度

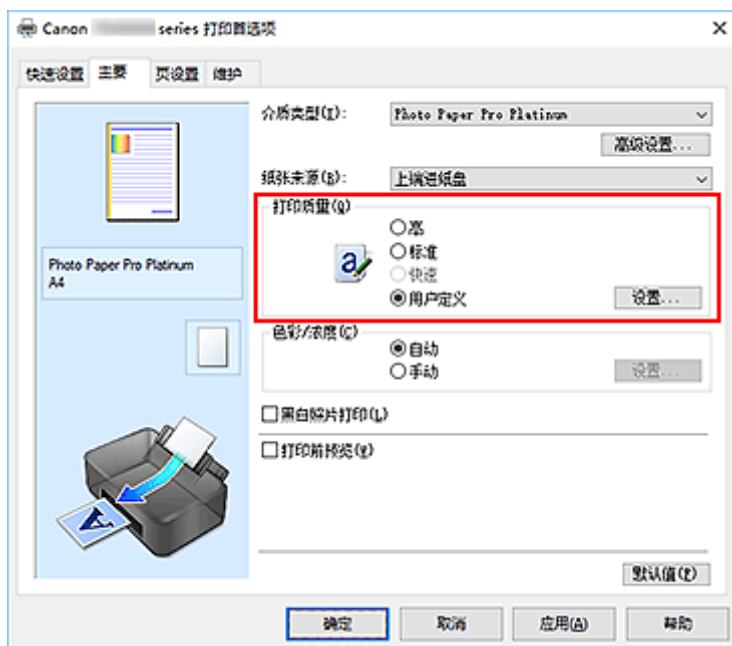
设置打印质量级别(用户定义)

可以在用户定义中设置打印质量级别。

1. 打开打印机驱动程序设置窗口

2. 选择打印质量

在主要选项卡上，将打印质量选择为用户定义，然后单击**设置...**。



用户定义对话框打开。



3. 设置打印质量级别

拖动滑动条以选择打印质量级别并单击**确定**。

4. 完成设置

单击主要选项卡上的**确定**。

执行打印时，将以选择的打印质量级别打印图像数据。

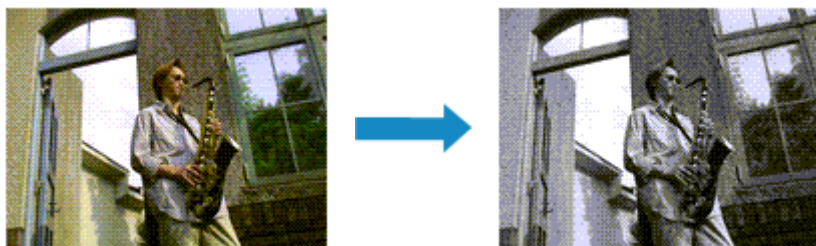
重要事项

- 根据介质类型的设置，可能无法选择某些打印质量级别。

相关主题

- [指定色彩修正](#)
- [调整色彩平衡](#)
- [调节亮度](#)
- [调节对比度](#)

用单色打印彩色文档

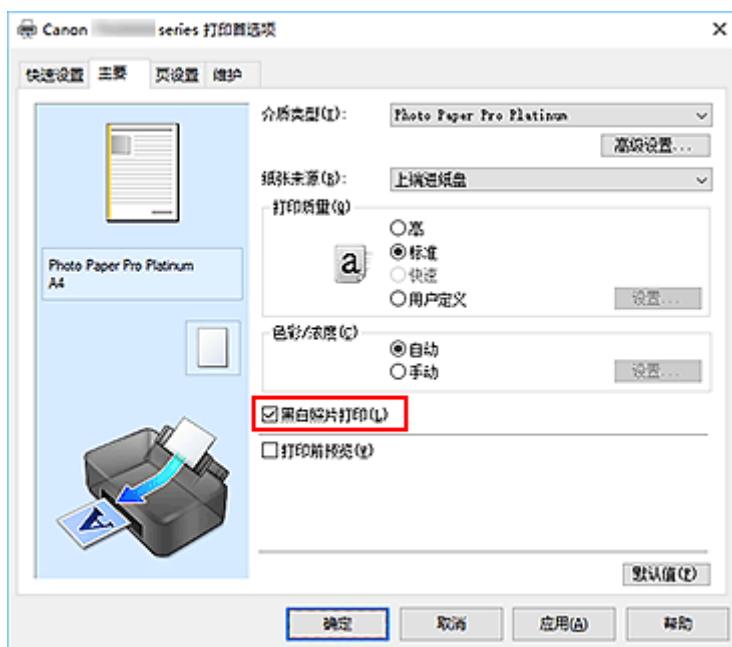


也可以在快速设置选项卡上的附加功能中设置黑白照片打印。

1. 打开打印机驱动程序设置窗口

2. 设置黑白照片打印

选中主要选项卡上的黑白照片打印复选框。



3. 单击确定

执行打印时，文档转换为灰度数据。该功能可以用单色打印彩色文档。

重要事项

- 当选中了黑白照片打印复选框时，打印机驱动程序将以 sRGB 数据处理图像数据。在这种情况下，实际打印出的颜色可能会与原稿图像数据中的颜色有差别。
当使用灰度打印功能打印 Adobe RGB 数据时，请使用应用程序软件将数据转换成 sRGB 数据。

注释

- 在黑白照片打印过程中，还可能会使用除黑色墨水之外的其他墨水。

■ 相关主题

■ [调整色调](#)

指定色彩修正

您可以指定适合要打印的文档类型的色彩修正方法。

通常，当打印数据时，打印机驱动程序会自动调节色彩。

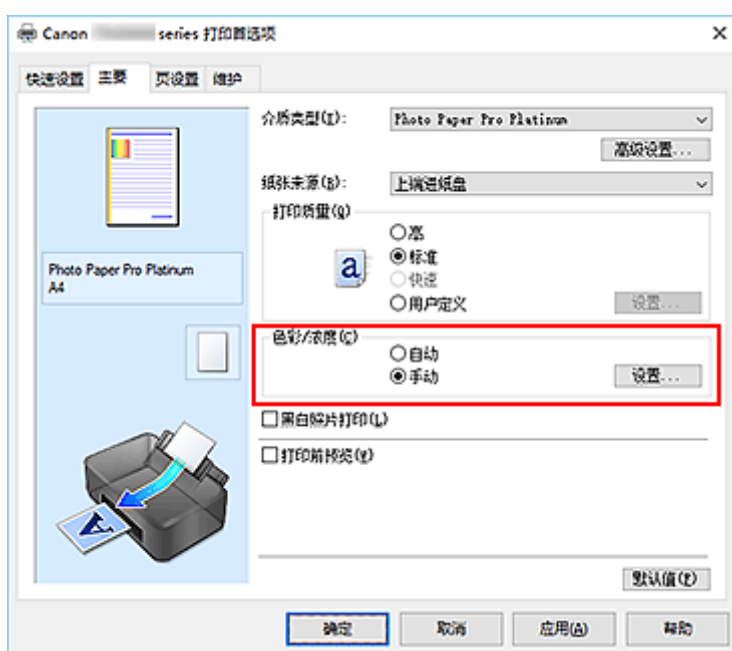
要有效地使用图像数据的色彩空间进行打印时，请选择 **ICM**。当要使用应用程序软件指定打印 ICC 配置文件时，请选择**无**。

也可以在**快速设置**选项卡上通过选择**附加功能**下的**色彩/浓度手动调节**来设置色彩修正。

1. 打开**打印机驱动程序设置窗口**

2. 选择手动色彩调节

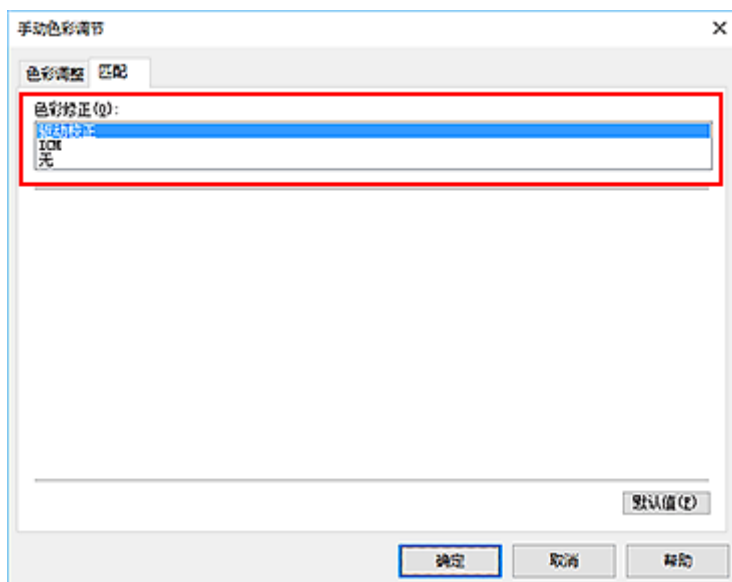
在**主要**选项卡上，将**色彩/浓度**选择为**手动**，然后单击**设置...**。



手动色彩调节对话框打开。

3. 选择色彩修正

单击**匹配**选项卡，从以下设置中选择合乎用途的**色彩修正**设置，然后单击**确定**。



驱动校正

打印过程中，驱动程序将执行必要的调整。

有关驱动校正的信息，请参见“[使用打印机驱动程序调整色彩](#)”。

ICM

打印时通过使用 ICC 配置文件调整色彩。

指定要使用的输入配置文件、打印机配置文件和渲染方法。

无

打印机驱动程序不执行色彩修正。当在应用程序软件中指定单独创建的打印 ICC 配置文件或专用于 Canon 纸张的打印 ICC 配置文件以打印数据时，请选择此值。

4. 完成设置

单击**主要**选项卡上的**确定**。

执行打印时，将以指定的色彩修正打印文档数据。

重要事项

- 当在应用程序软件中禁用 ICM 时，**色彩修正**中的 **ICM** 不可用并且打印机可能无法正确打印图像数据。
- 当选中了**主要**选项卡上的**黑白照片打印**复选框时，**色彩修正**将显示为灰色且不可用。

相关主题

- [图像数据最佳化照片打印](#)
- [使用打印机驱动程序调整色彩](#)
- [使用 ICC 配置文件进行打印](#)
- [解析 ICC 配置文件](#)

图像数据最佳化照片打印

当打印使用数码相机拍摄的图像时，有时会觉得打印的色调与实际图像或在监视器上显示的图像色调有所差别。

要使打印结果尽可能的接近理想色调，必须选择一种最适合于所用的应用程序软件或符合您要求的打印方法。

色彩管理

每种设备(如数码相机、扫描仪、监视器和打印机)处理颜色的方法都不同。色彩管理(色彩匹配)是一种将设备相关“色彩”作为普通色彩空间进行处理的方法。

对于 Windows，操作系统中内置了被称为“ICM”的色彩管理系统。
sRGB 是常用的通用色彩空间之一。

ICC 配置文件将设备相关“色彩”转换成普通色彩空间。通过使用 ICC 配置文件并执行色彩管理，您可以在打印机能够显示的色彩重现区域中描绘出图像数据的色彩空间。

注释

- 通常，图像文件以 JPEG 格式保存。某些数码相机允许以 RAW 格式保存图像。RAW 数据是一种图像保存格式，处理此类图像需要使用计算机。可以使用专用的应用程序软件将输入 ICC 配置文件标记嵌入 RAW 文件中。

选择适合于图像数据的打印方法

根据图像数据的色彩空间或要使用的应用程序软件，建议使用的打印方法会有所不同。

有两种典型的打印方法。

检查图像数据的色彩空间和要使用的应用程序软件，然后选择符合用途的打印方法。

[使用打印机驱动程序调整色彩](#)

本节描述使用打印机驱动程序色彩修正功能打印数据的步骤。

当要以接近监视器显示的效果进行打印时(例如，在监视器上查看打印图像并修正色彩后)，请选择该功能。

[使用 ICC 配置文件进行打印](#)

描述有效使用图像数据色彩空间进行打印的步骤。

您可以通过设置应用程序软件和打印机驱动程序来使用普通色彩空间打印，以使色彩管理与图像数据的输入 ICC 配置文件一致。

根据所用的应用程序软件，打印机驱动程序设置方法会有所不同。

相关主题

- [解析 ICC 配置文件](#)

使用打印机驱动程序调整色彩

要在打印时使用驱动校正，请开启打印机驱动程序的色彩修正功能。

驱动校正准确地应用监视器上显示的数据特征，可以获得接近监视器显示效果的打印效果。

重要事项

- 使用驱动校正进行打印时，Canon 建议将监视器和环境光设置如下：
 - 监视器
 - 色温：D50(5000K)
 - 亮度：100 到 120cd/m²
 - 灰度系数：2.2
 - 环境光
 - D50 色彩评估荧光灯(色温 5000K，高显色性)
 - 查看打印材料时的亮度：500 勒克斯 ± 125 勒克斯

注释

- 从能够识别并允许指定 ICC 配置文件的应用程序软件进行打印时，请在应用程序软件中使用打印 ICC 配置文件，然后为色彩管理选择设置。

1. 打开[打印机驱动程序设置窗口](#)

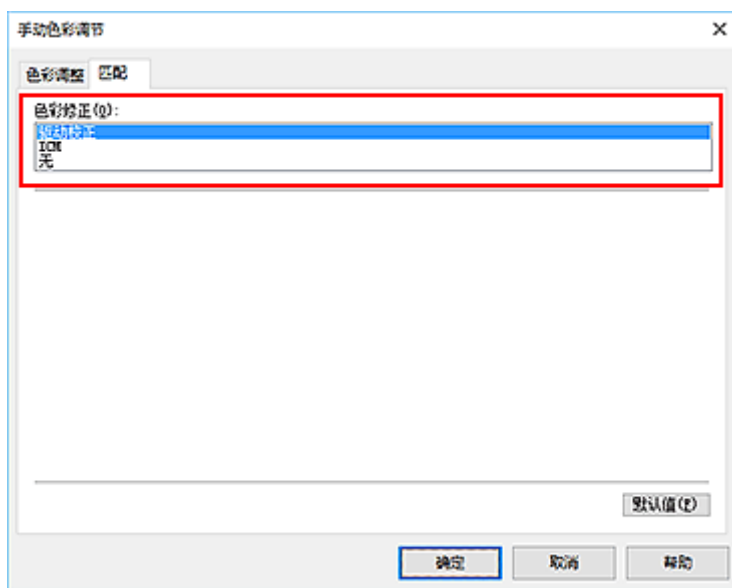
2. 选择手动色彩调节

在主要选项卡上，将**色彩/浓度**选择为**手动**，然后单击**设置...**。

手动色彩调节对话框打开。

3. 选择色彩修正

单击**匹配**选项卡，然后将**色彩修正**选择为**驱动校正**。



4. 设置其他项目

如有必要，单击**色彩调整**选项卡，调整**色彩平衡**(青色、品红色、黄色)，然后调整**亮度**和**对比度**设置，单击**确定**。

5. 完成设置

单击**主要**选项卡上的**确定**。

执行打印时，打印机驱动程序在打印数据时调节色彩。

相关主题

- [设置打印质量级别\(用户定义\)](#)
- [指定色彩修正](#)
- [调整色彩平衡](#)
- [调节亮度](#)
- [调节对比度](#)

使用 ICC 配置文件进行打印

图像数据带有指定的输入 ICC 配置文件时，可以通过有效地使用数据的色彩空间进行打印。

根据打印所用的应用程序软件，打印机驱动程序设置步骤会有所不同。

从应用程序软件中指定 ICC 配置文件并打印数据

如果您打印 Adobe Photoshop、Canon Digital Photo Professional 或其他允许您指定输入和打印 ICC 配置文件的应用程序软件编辑和修改的结果，可以有效使用指定在图像数据中输入 ICC 配置文件的色彩空间进行打印。

要使用此打印方法，请使用应用程序软件在图像数据中选择色彩管理项目、指定输入 ICC 配置文件和打印 ICC 配置文件。

即使使用您自己创建的打印 ICC 配置文件或专用于 Canon 纸张的 ICC 配置文件打印时，也请务必从您的应用程序软件中选择色彩管理项目。

有关用法说明，请参见您正在使用的应用程序软件手册。

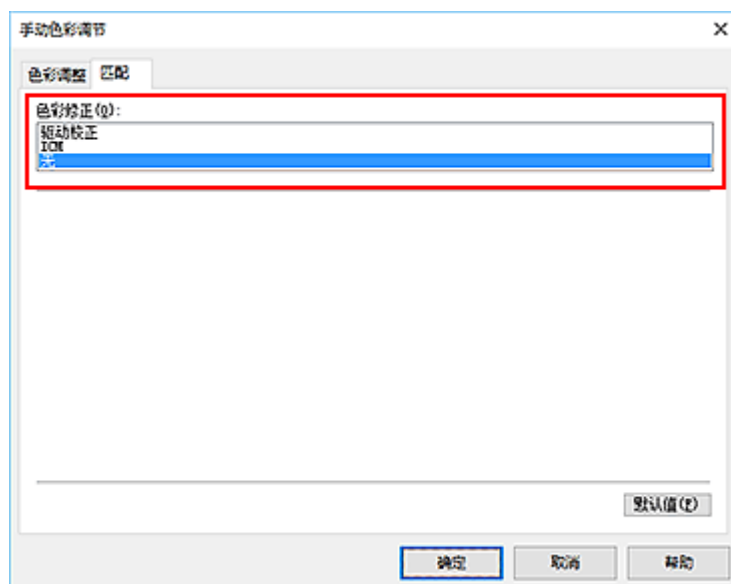
1. 打开[打印机驱动程序设置窗口](#)

2. 选择手动色彩调节

在主要选项卡上，将**色彩/浓度**选择为**手动**，然后单击**设置...**。
手动色彩调节对话框打开。

3. 选择色彩修正

单击**匹配**选项卡，然后将**色彩修正**选择为**无**。



4. 设置其他项目

如有必要，单击**色彩调整**选项卡，调整色彩平衡(**青色、品红色、黄色**)，然后调整**亮度**和**对比度**设置，单击**确定**。

5. 完成设置

单击主要选项卡上的**确定**。

执行打印时，打印机使用图像数据的颜色空间。

使用打印机驱动程序指定 ICC 配置文件，然后打印

从无法识别输入 ICC 配置文件或不允许指定该配置文件的应用程序软件进行打印时，数据色彩空间将打印为 sRGB。

1. 打开[打印机驱动程序设置窗口](#)

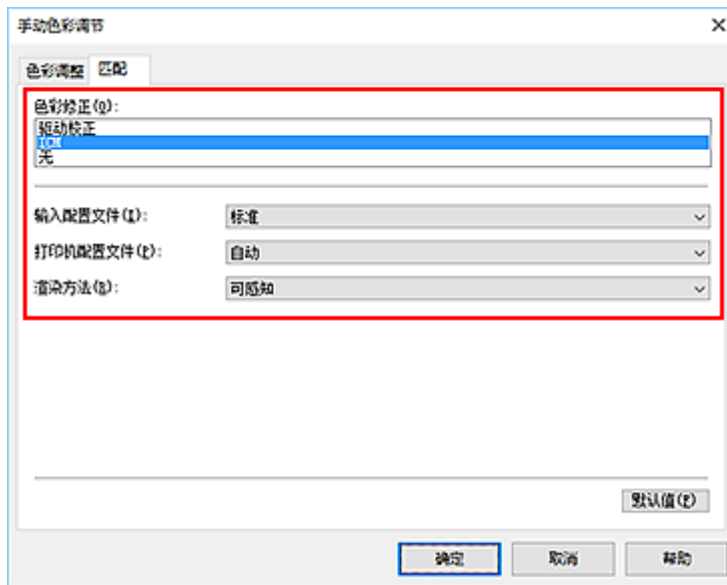
2. 选择手动色彩调节

在主要选项卡上，将**色彩/浓度**选择为**手动**，然后单击**设置...**。

手动色彩调节对话框打开。

3. 选择色彩修正

单击**匹配**选项卡，然后将**色彩修正**选择为**ICM**。



4. 对于**输入配置文件**，请选择**标准**。

重要事项

- 当应用程序软件指定了输入配置文件时，打印机驱动程序的输入配置文件设置无效。

5. 选择打印机配置文件

选择**打印机配置文件**。

- 自动设置打印机配置文件：
选择**自动**。
- 手动设置打印机配置文件：

选择与要使用的介质类型相匹配的打印机配置文件。

6. 选择渲染方法

在**渲染方法**中选择色彩调整方法。

- **饱和度**

使用该方法比**可感知**方法重现的图像更加鲜艳。

- **可感知**

使用该功能可以有效地打印打印机可以再现的色彩空间。由于该功能可以准确地呈现监视器上显示的数据特性，当要以接近监视器显示的效果进行打印时，请选择该功能。

▶▶▶ 重要事项

- 当选择**可感知**来打印图像时，Canon 建议将监视器和环境光设置如下：

- 监视器

- 色温：D50(5000K)

- 亮度：100 到 120cd/m²

- 灰度系数：2.2

- 环境光

- D50 色彩评估荧光灯(色温 5000K, 高显色性)

- 查看打印材料时的亮度：500 勒克斯 ± 125 勒克斯

- **相对比色**

当图像数据转换为打印机的色彩空间时，该方法转换图像数据，所以重现的色彩接近于共享的色彩区域。选择该方法以打印色彩接近原始色彩的图像数据。

- **绝对比色**

选择**相对比色**时，重现像纸张白点一样的白点(背景颜色)。但是，选择**绝对比色**时，如何重现白点取决于图像数据。

▶▶▶ 重要事项

- 根据介质类型的不同，即使更改**渲染方法**设置，也可能获得相同的打印结果。

7. 设置其他项目

如有必要，单击**色彩调整**选项卡，调整色彩平衡(青色、品红色、黄色)，然后调整**亮度**和**对比度**设置，单击**确定**。

8. 完成设置

单击**主要**选项卡上的**确定**。

执行打印时，打印机使用图像数据的颜色空间。

相关主题

- [设置打印质量级别\(用户定义\)](#)
- [指定色彩修正](#)
- [调整色彩平衡](#)
- [调节亮度](#)
- [调节对比度](#)

解析 ICC 配置文件

当需要为本打印机指定 ICC 配置文件时，请指定打印输出介质的 ICC 配置文件。

安装在本打印机的 ICC 配置文件显示如下。

Canon XXXXX Photo Paper Plus Glossy II
(1) (2)

- (1): 打印机型号
- (2): 介质类型
 - Canvas -P: Canvas
 - Extra Heavyweight Fine Art Paper -P: 特重磅 Fine Art 纸张
 - Glossy Photo Paper A: 光面照相纸
 - Heavyweight Fine Art Paper -P: 重磅 Fine Art 纸张
 - Heavyweight Photo Paper -P: 重磅照片纸
 - Japanese Paper Washi -P: 日本和纸 Washi
 - Lightweight Photo Paper -P: 轻质照片纸
 - Matte Photo Paper -P: 无光泽照片纸
 - Photo Paper Plus Glossy II A: 高级光面照片纸 II
 - Photo Paper Plus Semi-gloss: 亚高光泽照片纸
 - Photo Paper Pro Crystal Grade: Photo Paper Pro Crystal Grade
 - Photo Paper Pro Luster: 专业绒面照片纸
 - Photo Paper Pro Platinum: 优质专业照片纸
 - Photo Paper Pro Premium Matte A: Photo Paper Pro Premium Matte
 - Premium Fine Art Rough: 优质精细艺术 粗面相片打印纸

►► 注释

- 对于介质类型末尾显示“-P”的 ICC 配置文件，其打印结果与将渲染方法设置为可感知或相对比色时相同。

调整色调

打印黑白照片时，可以产生冷色的冷色效果和暖色的暖色效果。



选择了冷色调

选择了黑白

选择了暖色调

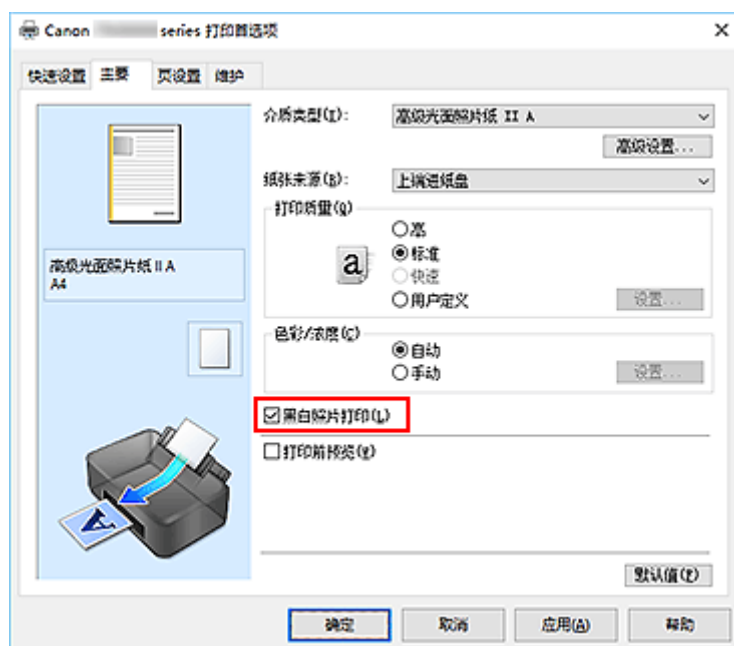
1. 打开[打印机驱动程序设置窗口](#)

2. 选择介质类型

请将主要选项卡上的介质类型选择为高级光面照片纸 II A、Photo Paper Pro Platinum、Photo Paper Pro Luster、亚高光泽照片纸、光面照相纸 A、Photo Paper Pro Crystal Grade、轻质照片纸、重磅照片纸、优质精细艺术粗面相片打印纸、Photo Paper Pro Premium Matte A、重磅 Fine Art 纸张、特重磅 Fine Art 纸张、Canvas 或日本和纸 Washi。

3. 设置黑白照片打印

选中黑白照片打印复选框。



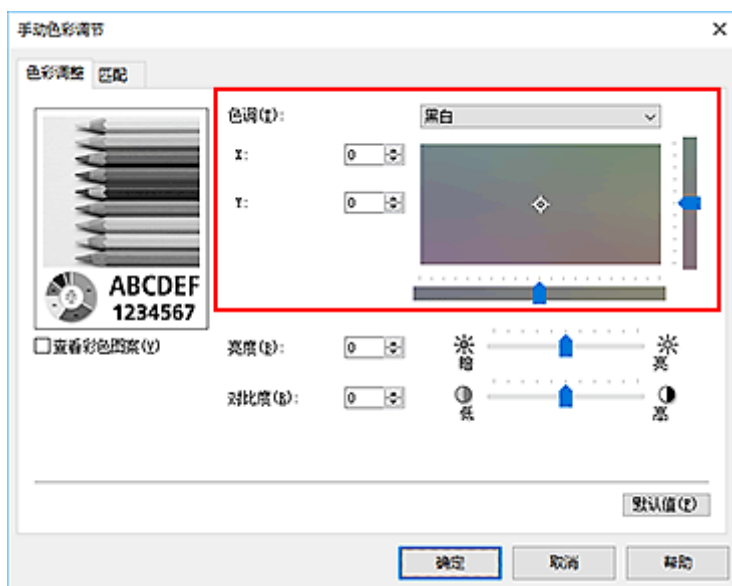
4. 选择手动色彩调节

将色彩/浓度选择为手动，并单击设置...。

手动色彩调节对话框打开。

5. 调整单色色调

从色调下拉菜单中指定以下项目之一。



冷色调

该项目将色调调整为冷色调灰色(冷黑)。当选择该项目时，**X** 的输入值为-30，**Y** 的输入值为 0。

黑白

该项目将色调调整为中性色调灰色。当选择该项目时，**X** 的输入值为 0，**Y** 的输入值为 0。

暖色调

该项目将色调调整为暖色调灰色(暖黑)。当选择该项目时，**X** 的输入值为 30，**Y** 的输入值为 0。

用户定义

可以在查看中央调整区域中的色彩时使用水平和垂直滑块调整色调。

通过左/右或上/下拖动滑块分别调整水平和垂直滑块。

也可以使用鼠标单击或拖动中央调整区域来调整色调。

也可以直接输入连接滑块的数值。输入数值时，**X** 的设置范围为-100 至 100，**Y** 的设置范围为-50 至 50。

►► 注释

- 用户定义在直接输入调整后会自动显示，因此无法选择。

X、Y(单色调整值)

如有必要，可以手动调整单色色彩。

要调整色调，直接输入数值或单击向上/向下箭头。

也可以使用鼠标单击或拖动调整区域来调整色调。

该数值也连接水平和垂直滑块。

输入数值时，**X** 的设置范围为-100 至 100，**Y** 的设置范围为-50 至 50。

所选数值将显示在左侧的预览中。

调整色调后，单击**确定**。

6. 完成设置

单击**主要**选项卡上的**确定**。

执行打印时，使用调整的色调将彩色文档转换为灰度数据。该功能可以用单色打印彩色文档。

相关主题

- [用单色打印彩色文档](#)
- [调节亮度](#)
- [调节对比度](#)

调整色彩平衡

您可以在打印时调整色彩色调。

由于该功能通过更改每种色彩的墨水比率来调整输出的色彩平衡，因此它可以更改文档的整体色彩平衡。当您想有效地更改色彩平衡时，请使用应用程序软件。仅当要细微调整色彩平衡时，使用打印机驱动程序。以下示例显示使用色彩平衡加深青色及减淡黄色以使整体色彩显得更为均衡的情形。



原始图像

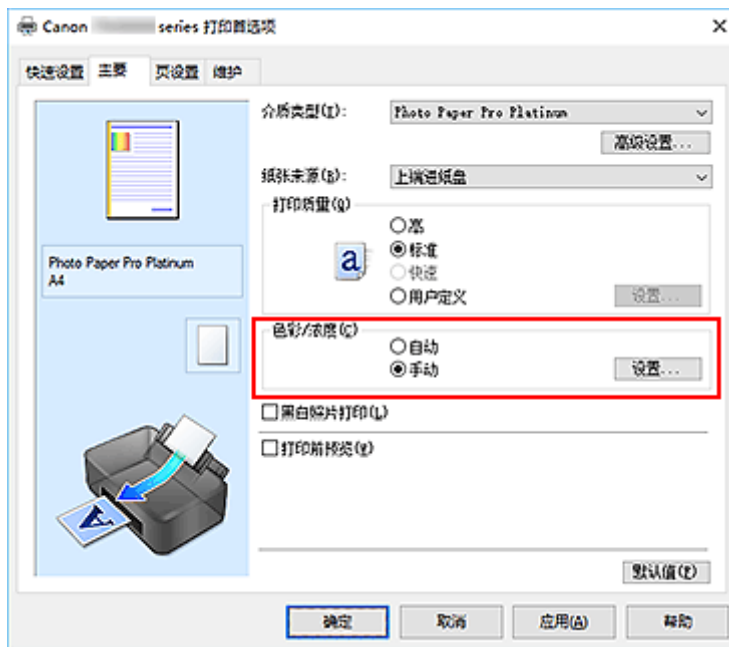
调整色彩平衡

您也可以通过选择**常用设置**下的**标准**或**照片打印**，然后选择**附加功能**下的**色彩/浓度手动调节**，在快速设置选项卡上设置色彩平衡。

1. 打开[打印机驱动程序设置窗口](#)

2. 选择手动色彩调节

在**主要**选项卡上，将**色彩/浓度**选择为**手动**，然后单击**设置...**。



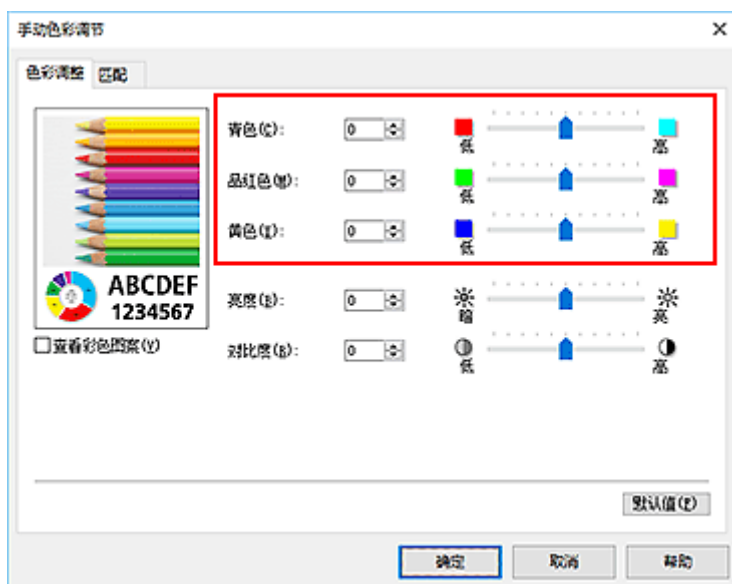
手动色彩调节对话框打开。

3. 调整色彩平衡

青色、品红色和黄色各有一个滑块。向右移动滑块时颜色变深，向左移动滑块时颜色变浅。例如，当青色变浅时，红色会变深。

也可以直接输入与滑块关联的数值。输入从-50 到 50 范围内的数值。当前设置显示在打印机驱动程序左侧的设置预览中。

调整各色彩后，单击**确定**。



4. 完成设置

单击**主要**选项卡上的**确定**。

执行打印时，将以调节后的色彩平衡打印文档。

重要事项

- 选中**主要**选项卡上的黑白照片打印复选框时，无法设置色彩平衡(青色、品红色和黄色)。

相关主题

- [设置打印质量级别\(用户定义\)](#)
- [指定色彩修正](#)
- [调节亮度](#)
- [调节对比度](#)

调节亮度

可以在打印过程中使整个图像数据的色彩变亮或变暗。
以下示例显示打印图像数据时使浅色变暗的情形。



原始图像



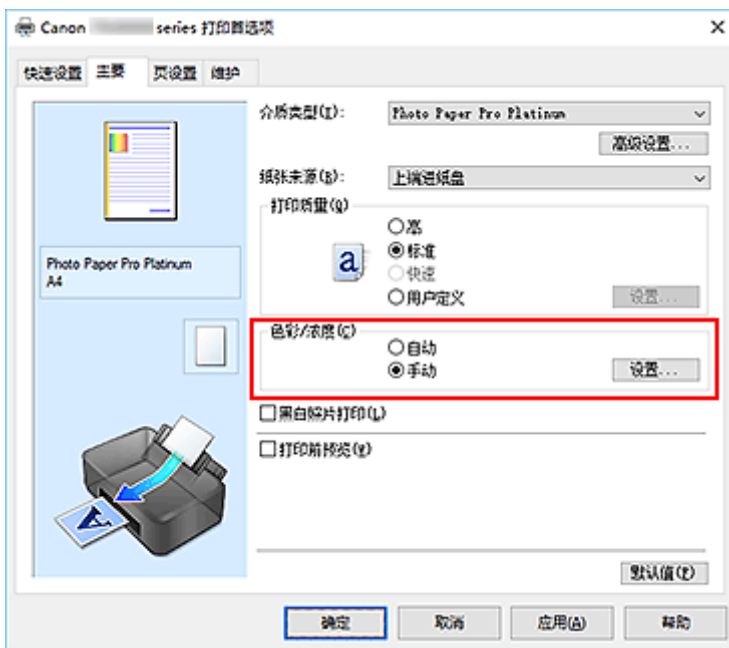
使浅色变暗

您也可以通过选择**常用设置**下的**标准**或**照片打印**，然后选择**附加功能**下的**色彩/浓度手动调节**，在**快速设置**选项卡上设置亮度。

1. 打开[打印机驱动程序设置窗口](#)

2. 选择手动色彩调节

在**主要**选项卡上，将**色彩/浓度**选择为**手动**，然后单击**设置...**。



手动色彩调节对话框打开。

3. 调整亮度

向右移动**亮度**滑块使颜色变亮(减淡)，向左移动此滑块将使颜色变暗(加深)。

也可以直接输入与滑块关联的数值。输入从-50 到 50 范围内的数值。当前设置显示在打印机驱动程序左侧的设置预览中。

调整亮度后，单击**确定**。

4. 完成设置

单击**主要选项卡**上的**确定**。

执行打印时，将以调整后的亮度打印数据。

相关主题

- [设置打印质量级别\(用户定义\)](#)
- [指定色彩修正](#)
- [调整色彩平衡](#)
- [调节对比度](#)

调节对比度

您可以在打印过程中调节图像的对比度。

要使图像中明暗部分的差别增大且更加清晰，请增加对比度。相反，要使图像中明暗部分的差别减小且变得模糊，请减少对比度。



原始图像

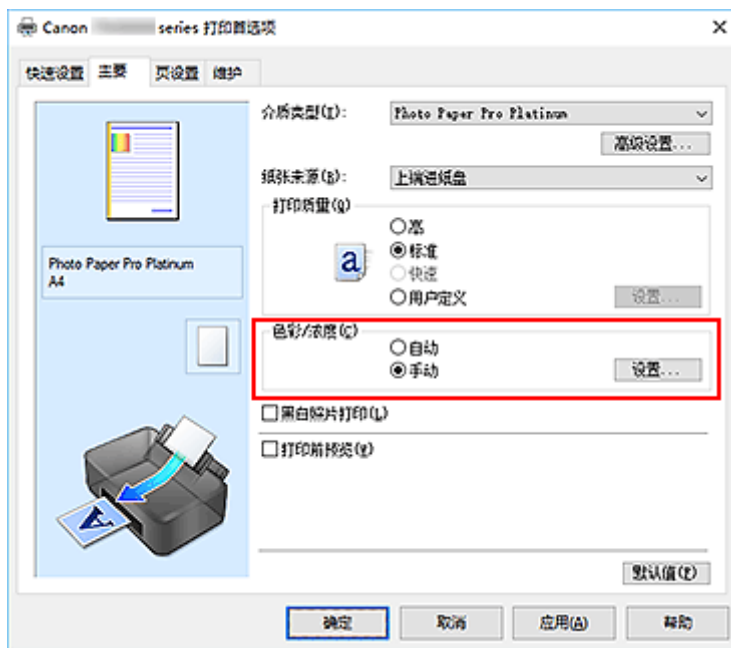
调节对比度

也可以在快速设置选项卡上通过选择附加功能下的色彩/浓度手动调节来设置对比度。

1. 打开[打印机驱动程序设置窗口](#)

2. 选择手动色彩调节

在主要选项卡上，将色彩/浓度选择为手动，然后单击设置...。



手动色彩调节对话框打开。

3. 调节对比度

向右移动**对比度**滑块将增加对比度，向左移动滑块将减少对比度。

也可以直接输入与滑块关联的数值。输入从-50 到 50 范围内的数值。当前设置显示在打印机驱动程序左侧的设置预览中。

调节对比度后，单击**确定**。

4. 完成设置

单击**主要选项卡**上的**确定**。

执行打印时，将以调节后的对比度打印图像。

相关主题

- [设置打印质量级别\(用户定义\)](#)
- [指定色彩修正](#)
- [调整色彩平衡](#)
- [调节亮度](#)

从智能手机/平板电脑打印

- ▶ 从 iPhone/iPad/iPod touch 打印(iOS)
- ▶ 从智能手机/平板电脑打印(Android)
- ▶ 通过无线直连连接

从 iPhone/iPad/iPod touch 打印(iOS)

- ▶ 从 iOS 设备打印(AirPrint)
- ▶ 使用 PIXMA/MAXIFY Cloud Link

从智能手机/平板电脑打印(Android)

- ▶ 使用 PIXMA/MAXIFY Cloud Link
- ▶ 使用 Mopria Print Service 打印
- ▶ 使用 Canon Print Service 打印

通过无线直连连接

可以通过以下两种方法将设备(例如计算机、智能手机或平板电脑)连接至打印机。

- 无线连接(通过无线路由器连接设备)
- 直接无线连接(通过无线直连接设备)

本节描述了无线直连, 这种方式可以通过将设备直接连接至打印机进行打印。

请按照以下步骤设置和使用无线直连。

1. 准备打印机。

■ [更改打印机设置以使用无线直连](#)

2. 准备要连接到打印机的设备。

■ [更改设备的设置并将其连接至打印机](#)

重要事项

- 使用无线直连, 最多可以同时将 5 个设备连接到打印机。
- 检查使用限制并将打印机切换至无线直连。

■ [限制](#)

更改打印机设置以使用无线直连

1. 确保打印机已开启。
2. 在主页屏幕上选择 **LAN 设置**, 然后按 **OK** 按钮。
 - [操作面板上的设置项目](#)
3. 选择**无线直连**, 然后按 **OK** 按钮。
4. 选择**设置**, 然后按 **OK** 按钮。
5. 选择**启用/禁用无线直连**, 然后按 **OK** 按钮。
6. 检查显示的信息, 选择**是**, 然后按 **OK** 按钮。

启用无线直连后, 会显示使用无线直连连接的打印机时的标识符(SSID)等。

您可以检查无线直连的各种设置。

注释

- 将设备连接到打印机时需要输入密码。根据使用的设备不同, 不需要输入密码。
- 将兼容 Wi-Fi Direct 的设备连接到打印机时, 选择设备的 LCD 屏幕上显示的设备名称。
- 要更改标识符(SSID)和密码, 请参见以下内容。

■ [更改无线直连设置](#)

更改设备的设置并将其连接至打印机

1. 在设备上开启 Wi-Fi 功能。

在设备的“设置”菜单中启用“Wi-Fi”。

有关打开 Wi-Fi 功能的更多信息，请参见设备的说明手册。

2. 从设备上显示的列表中选择“DIRECT-XXXX-PRO-200series”（“X”表示字母数字字符）。

►► 注释

- 如果列表中未出现“DIRECT-XXXX-PRO-200series”，则无线直连未启用。
请参见[更改打印机设置以使用无线直连](#)，启用无线直连。

3. 输入密码。

设备已连接到打印机。

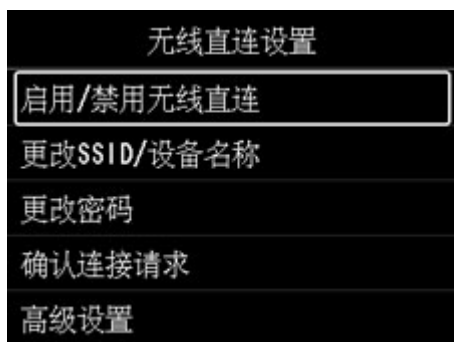
►► 注释

- 检查无线直连的密码。
 1. 在主页屏幕上选择 **LAN 设置**，然后按 **OK** 按钮。
 2. 选择**无线直连**，然后按 **OK** 按钮。
 3. 选择**显示密码**，然后按 **OK** 按钮。
- 根据使用的设备不同，需要输入密码以将设备通过 Wi-Fi 连接到打印机。输入为打印机指定的密码。
- 如果兼容 Wi-Fi Direct 的设备设置为优先使用 Wi-Fi Direct 且该设备正连接到打印机，打印机将显示确认屏幕，询问是否允许该设备连接到打印机。
确保 LCD 屏幕上的名称与无线通信设备上的名称相同，然后选择**是**。

更改无线直连设置

按照以下步骤更改无线直连的设置。

1. 在主页屏幕上选择 **LAN 设置**，然后按 **OK** 按钮。
2. 选择**无线直连**，然后按 **OK** 按钮。
3. 选择**设置**，然后按 **OK** 按钮。



• 更改 SSID/设备名称

更改无线直连的标识符(SSID)。

标识符(SSID)是兼容 Wi-Fi Direct 的设备上显示的打印机名称(设备名称)。

请按照以下步骤更改标识符(SSID)。

◦ 手动设置

1. 按 **OK** 按钮转到输入屏幕。
2. 输入标识符或打印机名称。
3. 确认输入的内容，然后选择 **OK**。

◦ 自动设置

1. 选择**自动更新**。
2. 检查显示的信息，然后选择**是**。

• 更改密码

更改无线直连的密码。

◦ 手动设置。

1. 选择**手动更改**。
2. 按 **OK** 按钮转到输入屏幕。
3. 输入新密码(10 个字符)。
4. 确认输入的内容，然后选择 **OK**。

◦ 自动设置

1. 选择**自动更新**。
2. 检查显示的信息，然后选择**是**。

• 确认连接请求

更改兼容 Wi-Fi Direct 的设备连接到打印机时的确认屏幕设置。

如果要打印机显示兼容 Wi-Fi Direct 的设备正在连接到打印机的通知屏幕，请选择**是**。

▶▶▶ 重要事项

- 为防止未经授权的访问，建议应选择该设置以显示确认屏幕。

▶▶▶ 注释

- 如果更改打印机的无线直连设置，请同时更改设备的无线路由器设置。

使用操作面板打印

- ▶ 打印模板(如横格纸或方格纸)

打印模板(如横格纸或方格纸)

可以在 A3、A4、B5 或 Letter 尺寸的普通纸上打印横格纸、方格纸或清单等模板样表。

也可以在 A3、A4 或 Letter 尺寸的普通纸、无光泽照片纸、卡片纸和其他类型的纸张上打印图案纸以用于多种用途，如照片影集页和餐具垫。

■ [可打印模板样表](#)

■ [打印模板样表](#)

可打印模板样表

可以使用以下模板：

• 图案纸



可以选择多个图案。

• 横格纸



可以选择三种线条间距格式。

在打印机 LCD 屏幕上进行设置：

- 带线纸张 1 (8 毫米)
- 带线纸张 2 (7 毫米)
- 带线纸张 3 (6 毫米)

• 方格纸

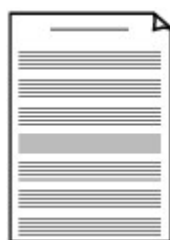


可以选择三种方格尺寸。

在打印机 LCD 屏幕上进行设置：

- 带图形纸张 1 (5 毫米网格)
- 带图形纸张 2 (3 毫米网格)
- 方格纸 3(1mm 网格)

• 五线谱纸



可以打印 10 或 12 行五线谱纸。

在打印机 LCD 屏幕上进行设置：

- 五线谱纸 1 (10 行)
- 五线谱纸 1(10 行/x2)
- 五线谱纸 2 (12 行)
- 五线谱纸 2(12 行/x2)

• 检查单



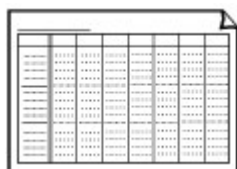
可以打印带有复选框的记事本。
在打印机 LCD 屏幕上设置：
检查单

• 手写纸



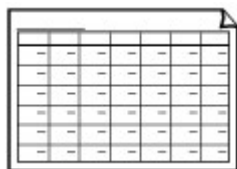
可以打印手写纸。
在打印机 LCD 屏幕上设置：
手写纸(3 行)

• 周日程表



可以打印周日程表。
在打印机 LCD 屏幕上设置：
周日程表(垂直)

• 月日程表



可以打印月日程表。
在打印机 LCD 屏幕上设置：
月日程表(日历)

打印模板样表

按照以下步骤打印模板样表。

1. 确认打印机是否已开启。

■ [电源供应](#)

2. 在主页屏幕上选择  模板打印，然后按 **OK** 按钮。

■ [LCD 屏幕和操作面板](#)

3. 使用 **▲▼** 按钮选择要打印的模板，然后按 **OK** 按钮。

出现信息时，检查并按 **OK**。

■ [可打印模板样表](#)

4. 使用 ◀▶ 按钮选择要打印的表格，然后按 **OK** 按钮。
5. 如有必要，请使用 ▲▼ 按钮更改设置，然后按 **OK** 按钮。



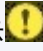

- **份数**

使用 ▲▼ 按钮指定份数，然后按 **OK** 按钮。

- **页尺寸**

使用 ▲▼ 按钮选择页面大小，然后按 **OK** 按钮。

▶▶▶ 注释

- 根据样表，某些页尺寸设置无法指定。如果选择，则打印机的 LCD 屏幕上显示  和 **错误详细信息**。在这种情况下，请选择打印机 LCD 屏幕上方的  以检查信息并更改设置。

- **类型**

使用 ▲▼ 按钮选择介质类型，然后按 **OK** 按钮。

▶▶▶ 注释

- 纸张类型设置为 **普通纸**，图案纸除外。

- **纸张来源**

使用 **模板打印** 进行打印时，**上端进纸盘** 是唯一可用的进纸位置。

6. 装入纸张。

■ [装入纸张](#)

打印图案纸时，装入可设置的普通纸、无光泽照片纸或卡片纸。

7. 选择开始打印。

打印机开始打印。

从数码相机打印

- ▶ 直接从兼容 PictBridge(Wi-Fi)的设备打印照片
- ▶ PictBridge(Wi-Fi)打印设置

直接从兼容 PictBridge(Wi-Fi)的设备打印照片

可以通过 Wi-Fi 将数码相机、数码摄像机或装有相机的移动电话等兼容 PictBridge(Wi-Fi)的设备连接至打印机，以直接打印记录的图像，而无需使用计算机。

可连接的设备：

兼容 PictBridge(Wi-Fi)的设备

可打印图像的数据格式：

打印机支持使用兼容相机文件系统设计规则(Design rule for Camera File system)的相机拍摄的图像*和 PNG 文件。

* 兼容 Exif 2.2/2.21/2.3

重要事项

- 需要将打印机连接到 Wi-Fi 才能使用该功能。

注释

- PictBridge 是一项行业标准，通过连接如数码静态相机、便携式数码摄像机或具备相机功能的移动电话等设备无需使用计算机即可直接打印照片。

在本手册中，通过 Wi-Fi 连接进行 PictBridge 打印称为“PictBridge(Wi-Fi)”。

- 使用连接到本打印机的兼容 PictBridge(Wi-Fi)的设备打印照片时，建议使用设备附带的交流适配器。如果正在使用设备电池，请务必将其充满电。
- 根据设备型号或品牌，在连接设备之前可能必须选择一种兼容 PictBridge(Wi-Fi)的打印模式。将设备连接到打印机后，可能还必须手动开启设备或选择播放模式。

将兼容 PictBridge(Wi-Fi)的设备连接到本打印机之前，按照设备说明手册中提供的说明对其执行必要的操作。

1. 确认打印机是否已开启。

■ [电源供应](#)

2. [装入纸张。](#)

3. 将兼容 PictBridge(Wi-Fi)的设备连接至打印机。

使用兼容 PictBridge(Wi-Fi)的设备检测打印机，并将兼容 PictBridge(Wi-Fi)的设备连接至打印机。

注释

- 有关检测打印机的更多信息，请参阅兼容 PictBridge(Wi-Fi)的设备的说明手册。

4. 指定纸张类型和布局等打印设置。

使用兼容 PictBridge(Wi-Fi)的设备选择与装入打印机的纸张的尺寸和类型相同的尺寸和类型。

■ [兼容 PictBridge\(Wi-Fi\)的设备上的设置](#)

如果兼容 PictBridge(Wi-Fi)的设备没有设置菜单，请从打印机更改设置。

■ [打印机上的设置](#)

▶▶▶ 注释

- 从兼容 PictBridge(Wi-Fi)的设备进行打印时，请使用打印机上的操作面板设置打印质量。无法在兼容 PictBridge(Wi-Fi)的设备上设置打印质量。

5. 从兼容 PictBridge(Wi-Fi)的设备开始打印。

PictBridge(Wi-Fi)打印设置

- [兼容 PictBridge\(Wi-Fi\)的设备上的设置](#)
- [打印机上的设置](#)

兼容 PictBridge(Wi-Fi)的设备上的设置

本节描述打印机的 PictBridge(Wi-Fi)功能。关于兼容 PictBridge(Wi-Fi)的设备上的打印设置，请参阅设备说明手册中的说明。

►► 注释

- 在以下描述中，将使用兼容 PictBridge(Wi-Fi)的 Canon 品牌设备上所用的设置项目名称。根据设备的品牌或型号，设置项目名称可能会有所不同。
- 以下说明的部分设置项目在某些设备上可能不可用。在这种情况下，将应用打印机上所做的设置。此外，当兼容 PictBridge(Wi-Fi)的设备的某些项目设置成默认时，将应用这些项目的打印机设置。

■ [PictBridge 打印设置](#)

从兼容 PictBridge(Wi-Fi)的设备打印时，可以使用以下设置。

• 纸张尺寸

- A3+
- A3
- Letter
- A4
- 10 x 15 厘米(4" x 6")
- 13 x 18 厘米(5" x 7")
- 20 x 25 厘米(8" x 10")
- 2L[127.0 x 178.0 毫米(5.00 x 7.01 英寸)]
- 正方形 13 x 13 厘米(5" x 5")

►► 注释

- 根据所用的兼容 PictBridge(Wi-Fi)的设备，可能无法选择某些纸张尺寸或纸张尺寸名称可能有所不同。

• 纸张类型

- 默认：
 - 优质专业照片纸 <PT-101>
- 照片纸：
 - 高级光面照片纸 II <PP-201/PP-301>
 - 亚高光泽照片纸 <SG-201>
 - 无光泽照片纸 <MP-101>
- 高级照片纸：
 - 优质专业照片纸 <PT-101>
 - 专业绒面照片纸 <LU-101>

- 普通纸：

- 普通纸

纸张类型设置为普通纸时，即使布局设置为无边距，也无法执行无边距打印。

- 布局

默认(根据打印机的设置进行选择)、无边距、有边距、1-页面布局*1、20-页面布局*2、35-页面布局*3
*1, *2 使用兼容 PictBridge(Wi-Fi)的 Canon 品牌设备，选择带有“i”标记的项目可以以列表格式(20-页面布局)或在指定数据的边缘(1-页面布局)打印拍摄信息(Exif 数据)。[在某些兼容 PictBridge(Wi-Fi)的 Canon 品牌设备上可能不可用。]

*3 以 35 毫米胶片风格布局打印(小样打印布局)。仅在兼容 PictBridge(Wi-Fi)的 Canon 品牌设备上可用。[在某些兼容 PictBridge(Wi-Fi)的 Canon 品牌设备上可能不可用。]

- 打印日期和文件编号

默认(关：不打印)、日期、文件编号、全部、关

- 图像优化

默认(使用打印机的相应设置值)、开(自动照片修复)*1、关、防红眼功能*2

*1 将识别拍摄照片中的场景或人物的面部，并自动对每张照片做最合适的修正。可以增亮逆光拍摄中变暗的面部以打印。也可分析如风景、夜景、人物等场景，并自动用最合适的色彩、亮度或对比度修正每个场景以打印。

*2 只有某些兼容 PictBridge(Wi-Fi)的 Canon 品牌设备可以选择该尺寸。(根据设备可能未被选择。)

- 剪裁

默认(关：不剪裁)、开(根据相机的设置)、关

打印机上的设置

可以从 **PictBridge 打印设置** 屏幕更改 PictBridge(Wi-Fi)打印设置。要根据打印机上的设置进行打印时，将兼容 PictBridge(Wi-Fi)设备上的打印设置为**默认**。

本节描述显示 **PictBridge 打印设置** 屏幕的步骤。

1. 确认打印机是否已开启。

- [电源供应](#)

2. 在主页屏幕上选择  各种设置，然后按 **OK** 按钮。

- [LCD 屏幕和操作面板](#)

3. 使用 **▲▼** 按钮选择 **设备设置**，然后按 **OK** 按钮。
4. 使用 **▲▼** 按钮选择 **PictBridge 打印设置**，然后按 **OK** 按钮。
5. 检查显示的信息，然后按 **OK** 按钮。

显示 **PictBridge** 打印设置屏幕。

有关设置项目的更多信息，请参见：

■ [PictBridge 打印设置](#)

Windows 软件

▶ 打印机驱动程序

- 打印机驱动程序概述
- 打印机驱动程序的说明
- 更新打印机驱动程序

▶ 使用 Canon 应用程序软件打印

- Easy-PhotoPrint Editor 指南
- Professional Print & Layout 指南
- 数码照片打印指南
- IJ Network Device Setup Utility 指南
- Media Configuration Tool 指南
- PosterArtist 指南

打印机驱动程序

- ▶ 打印机驱动程序概述
- ▶ 打印机驱动程序的说明
- ▶ 更新打印机驱动程序

打印机驱动程序概述

- ▶ **Canon IJ 打印机驱动程序**
 - 如何打开打印机驱动程序设置窗口
- ▶ **Canon IJ Status Monitor**
 - 从计算机检查墨水状态
- ▶ **使用说明(打印机驱动程序)**
- ▶ **Canon IJ 预览**
- ▶ **删除不需要的打印作业**

Canon IJ 打印机驱动程序

Canon IJ 打印机驱动程序(以下简称为打印机驱动程序)是安装在计算机上,以便能够与打印机通讯的软件。

打印机驱动程序将应用程序软件所生成的打印数据转换为打印机能够识别的数据,并将转换后的数据发送到打印机。

由于不同的打印机支持不同的数据格式,因此需要支持所用打印机的打印机驱动程序。

安装打印机驱动程序

要安装打印机驱动程序,请从安装光盘或我们的网站安装驱动程序。

指定打印机驱动程序

要指定打印机驱动程序,请打开所使用的应用程序软件的**打印**对话框,然后选择“Canon XXX”(“XXX”表示型号名称)。

从打印机驱动程序显示手册

要在打印机驱动程序设置屏幕显示设置选项卡的描述,请单击此选项卡上的**帮助**按钮。

相关主题

- [如何打开打印机驱动程序设置窗口](#)

如何打开打印机驱动程序设置窗口

可以从应用程序软件或通过单击打印机图标显示打印机驱动程序的安装屏幕。

从应用程序软件显示打印机驱动程序的安装屏幕

执行此步骤可在打印过程中进行打印设置。

1. 从应用程序软件中选择打印命令
通常可以在**文件**菜单中找到**打印**命令。
2. 选择打印机型号并单击**首选项(或属性)**
会出现打印机驱动程序的安装屏幕。

»» 注释

- 根据所使用的应用程序软件不同，命令和菜单名称以及步骤数目可能会有所不同。有关详细资料，请参阅所用应用程序软件的操作说明。

通过单击打印机图标显示打印机驱动程序的安装屏幕

可以从安装屏幕执行打印机维护操作，如打印头清洗，或将打印设置设为由所有应用程序软件共享。

1. 选择**控制面板 -> 硬件和声音 -> 设备和打印机**
2. 右键单击所用型号的图标。出现菜单时，请选择**打印首选项**
会出现打印机驱动程序的安装屏幕。

»» 重要事项

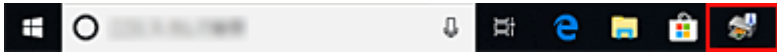
- 通过**打印机属性**打开打印机驱动程序设置窗口，会显示有关 Windows 功能的选项卡，如**端口(或高级)**选项卡等。当通过**打印首选项**或应用程序软件打开时，不会出现这些选项卡。有关 Windows 功能选项卡的信息，请参阅 Windows 用户手册。

Canon IJ Status Monitor

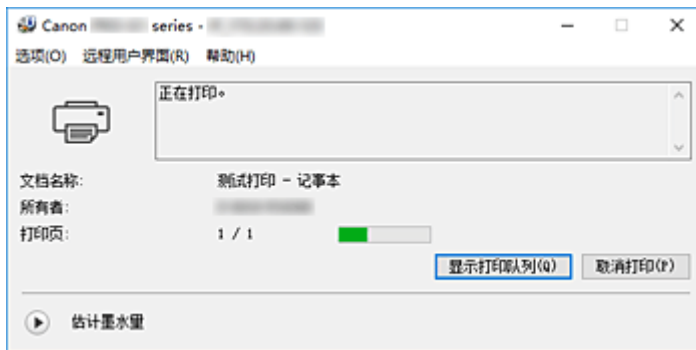
Canon IJ Status Monitor 显示打印机状态以及打印进程。通过状态监视器中的图像、图标和信息显示打印机状态。

启动 Canon IJ Status Monitor

当打印数据发送到打印机时，Canon IJ Status Monitor 将自动启动。启动时，Canon IJ Status Monitor 在任务栏上显示为一个按钮。



单击显示在任务栏上的状态监视器按钮。显示 Canon IJ Status Monitor。



注释

- 要在打印机未打印时打开 Canon IJ Status Monitor，请打开[打印机驱动程序设置窗口](#)，并单击**维护**选项卡上的**查看打印机状态**。
- 根据使用打印机时所在的国家或地区，显示在 Canon IJ Status Monitor 的信息可能有所不同。

出现错误时

如果出现错误(例如，打印机中的纸张用完或墨水不足)，将自动显示 Canon IJ Status Monitor。



在这些情况下，请按照说明采取适当的操作。

相关主题

- [Canon IJ Status Monitor 的说明](#)

从计算机检查墨水状态

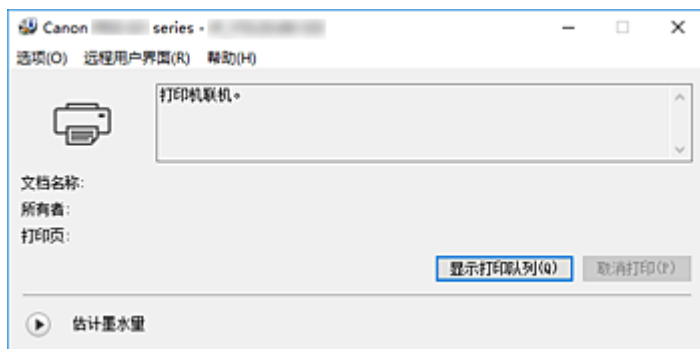
可以检查本型号的剩余墨水量和墨水盒类型。

1. 打开[打印机驱动程序设置窗口](#)


2. 启动 Canon IJ Status Monitor

在**维护**选项卡上，单击**查看打印机状态**。

Canon IJ 状态监视器打开。



3. 显示估计墨水量

对于**估计墨水量**，单击  (可展开三角形) 将显示墨水状态的图示。

»» 注释

- 根据使用打印机时所在的国家或地区，显示在 Canon IJ Status Monitor 的信息可能有所不同。
- 当在 A3 纸张或更大尺寸的纸张上打印时，墨水可能会在打印完成前用完，或者打印可能会变得暗淡或出现条纹(白色线条)。

使用说明(打印机驱动程序)

该打印机驱动程序受以下限制。使用打印机驱动程序，请注意以下几点。

关于打印机驱动程序的限制

- 根据要打印的文档类型，在打印机驱动程序中指定的供纸方式可能无法正确操作。
如果发生这种情况，从应用程序软件的**打印**对话框打开**打印机驱动程序设置窗口**，然后检查**主要选项卡**上**纸张来源**字段中的设置。
- 使用某些应用程序，可能无法启用打印机驱动程序**页设置**选项卡中的**份数**设置。
在这种情况下，请使用应用程序软件的**打印**对话框中的份数设置。
- 如果**维护**选项卡中的**关于**对话框中选择的**语言**与操作系统界面语言不匹配，则打印机驱动程序设置窗口可能无法正常显示。
- 请勿更改打印机属性的**高级**选项卡项目。如果更改项目，您将无法正常使用以下功能。
同样，如果在应用程序软件的**打印**对话框中选择了**打印到文件**，并且使用了禁止 EMF 后台打印的应用程序，如 Adobe Photoshop LE 和 MS Photo Editor，以下功能将不可用。
 - **主要选项卡**上的**打印前预览**
 - **页设置**选项卡上**打印选项**对话框中的**防止打印数据丢失**
 - **页设置**选项卡上的**页面布局**、**平铺/海报**、**书册**、**双面打印(手动)**、**指定边距...**、**自最末页打印**、**逐份打印**和**印记/背景...**
- 由于预览显示中的分辨率与打印分辨率不同，所以预览显示中的文本和线条可能与实际打印效果不同。
- 使用某些应用程序，打印将分为多个打印作业。
要取消打印，请删除所有分散的打印作业。
- 如果没有正确打印图像数据，从**页设置**选项卡中显示**打印选项**对话框并更改**禁用应用程序软件所需的 ICM** 设置。这可能会解决问题。

使用存在限制的应用程序的注意事项

- 在 Microsoft Word(Microsoft Corporation)中存在以下限制。
 - 当 Microsoft Word 具有与打印机驱动程序相同的打印功能时，请使用 Word 指定这些功能。
 - 当为打印机驱动程序的**页设置**选项卡上的**页面布局**选择了**按页面大小**、**缩放**或**页面布局**时，某些 Word 版本的文档可能无法正常打印。
 - Word 中的**页尺寸**设置为“XXX 放大/缩小”时，某些 Word 版本的文档可能无法正常打印。
如果发生这种情况，请执行以下步骤。
 1. 打开 Word 的**打印**对话框。
 2. 打开**打印机驱动程序设置窗口**，在**页设置**选项卡上将**页尺寸**设置为与 Word 中所指定尺寸相同的纸张尺寸。
 3. 设置想要的**页面布局**，然后单击**确定**关闭此窗口。
 4. 在没有开始打印的情况下，关闭**打印**对话框。
 5. 再次打开 Word 的**打印**对话框。
 6. 打开打印机驱动程序设置窗口，并单击**确定**。
 7. 开始打印。
- 如果在 Adobe Illustrator(Adobe Systems Incorporated)中启用位图打印，打印时间可能会变长或者某些数据可能无法打印。取消选中**打印**对话框中的**位图打印**复选框，然后执行打印。

Canon IJ 预览

Canon IJ 预览是一个应用程序软件，用于在实际打印文档前显示打印效果。

预览结果反映了打印机驱动程序中的设置信息，您可以检查文档布局、打印顺序和页数。您也可以更改介质类型和纸张来源设置。

要在打印前显示预览，请打开[打印机驱动程序设置窗口](#)，单击**主要**选项卡，并选中**打印前预览**复选框。

不想在打印前显示预览时，则不选中该复选框。

相关主题

- [打印前显示打印效果](#)

删除不需要的打印作业

如果打印机未开始打印，则可能仍然保留已取消或失败的打印作业数据。
使用 Canon IJ Status Monitor 删除不需要的打印作业。

1. 显示 [Canon IJ Status Monitor](#)

单击显示在任务栏上的 Canon IJ Status Monitor 图标。
显示 Canon IJ Status Monitor。

2. 显示打印作业

单击**显示打印队列**。
打印队列窗口打开。

3. 删除打印作业

选择要删除的打印作业，然后从**文档**菜单选择**取消**。
出现确认信息时，单击**是**。
打印作业删除完成。

重要事项

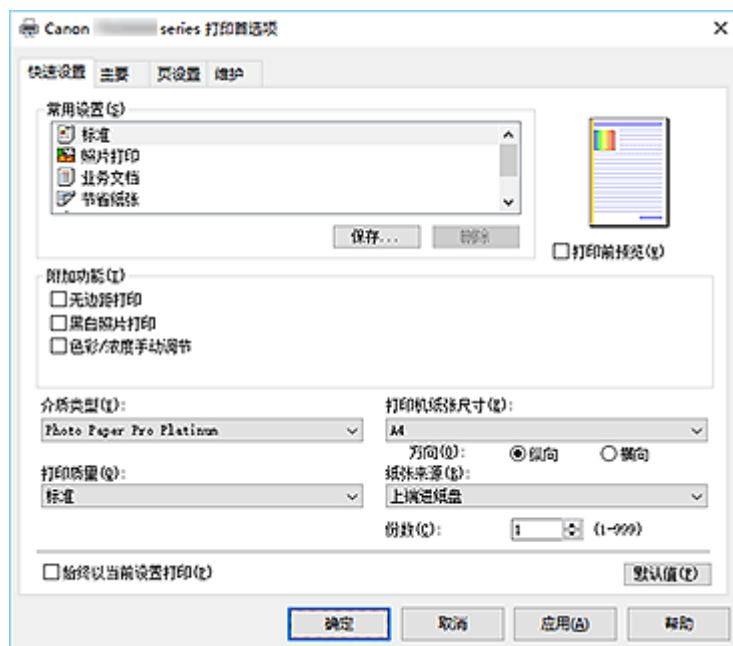
- 未被授予打印机管理访问权限的用户无法删除其他用户的打印作业。

打印机驱动程序の説明

- ▶ **快速设置选项卡的说明**
- ▶ **主要选项卡的说明**
- ▶ **页设置选项卡的说明**
- ▶ **维护选项卡的说明**
- ▶ **Canon IJ Status Monitor 的说明**
- ▶ **Canon IJ 预览的说明**

快速设置选项卡的说明

快速设置选项卡用于注册常用打印设置。选择已注册的设置时，打印机自动转换至预置项目。



常用设置

注册常用打印配置文件的名称和图标。根据文档用途选择打印配置文件时，会应用符合用途的设置。此外，可能对所选打印配置文件有用的功能会显示在**附加功能**中。

也可以更改打印配置文件并使用新名称进行注册。可以删除已注册的打印配置文件。

可以通过拖拽各个配置文件或者在按住 Ctrl 键的同时按向上或向下箭头键重新排列配置文件。

标准

这些是出厂设置。

如果从应用程序软件设置了**页尺寸**、**方向**和**份数**，则优先使用那些设置。

照片打印

如果在打印照片时选择此设置，将设置通常使用的照片纸和照片尺寸。**无边距打印**复选框会自动选中。

如果从应用程序软件设置了**方向**和**份数**，则优先使用那些设置。

业务文档

打印一般文档时选择该设置。

如果从应用程序软件设置了**页尺寸**、**方向**和**份数**，则优先使用那些设置。

节省纸张

打印一般文档时选择该设置以节省纸张。**2合1打印**和**双面打印(手动)**复选框会自动选中。

如果从应用程序软件设置了**页尺寸**、**方向**和**份数**，则优先使用那些设置。

信封

如果选择此设置来打印信封，**介质类型**会自动设置为**信封**。在**信封尺寸设置**对话框中，选择要使用的信封尺寸。

贺卡

选择打印贺卡时，**介质类型**会自动设置为**喷墨贺卡**。**打印质量**也会设置为高，且**无边距打印**前添加复选标记。

保存...

显示[保存常用设置对话框](#)。

要将**快速设置**、**主要**和**页设置**选项卡中设置的信息保存到**常用设置**时，请单击该按钮。

删除

删除已注册的打印配置文件。

选择要从**常用设置**删除的设置名称，并单击**删除**。显示确认信息时，单击**确定**删除指定的打印配置文件。

►►► 注释

- 无法删除注册在初始设置中的打印配置文件。

设置预览

纸张图示显示了如何在一张纸上布置原稿。

您可以查看整体布局图像。

打印前预览

在实际打印数据前显示打印效果。

选中该复选框以在打印前显示预览。

如果不想显示预览，则取消选中该复选框。

附加功能

显示在**快速设置**选项卡上的**常用设置**中选择的打印配置文件的常用便捷功能。

将鼠标指针移动到可以更改的功能附近时，会显示该功能的说明。

要启用该功能，请选中相应的复选框。

对于某些功能，可以从**主要**和**页设置**选项卡设置详细设置。

►►► 重要事项

- 根据打印配置文件，某些功能可能显示为灰色且无法更改。

2 合 1 打印

在一页纸上并排打印两页文档。

要更改页序，请单击**页设置**选项卡，将**页面布局**选择为**页面布局**，并单击**指定...**。然后，在出现的[页面布局打印对话框](#)中指定**页序**。

4 合 1 打印

在一页纸上并排打印四页文档。

要更改页序，请单击**页设置**选项卡，将**页面布局**选择为**页面布局**，并单击**指定...**。然后，在出现的[页面布局打印对话框](#)中指定**页序**。

双面打印(手动)

选择是在纸张的双面手动打印文档还是在纸张的单面打印文档。

要更改装订边或边距，请从**页设置**选项卡设置新值。

无边距打印

执行无边距打印时不在纸张上留有任何边距。

使用无边距打印功能会放大要打印的文档，从而使其略微超出纸张。换句话说，打印的文档没有任何边距。

要调整文档超出纸张的扩展量，请单击**页设置**选项卡，选择**无边距**，然后在**扩展量**中输入数值。

自最末页打印

要从最末页开始打印时，请选中该复选框。这免除了打印页后重新排列页序的麻烦。

要从首页开始打印，请取消选中该复选框。

黑白照片打印

当打印文档时，该功能将数据转换为单色数据。

旋转 180 度

通过向进纸方向旋转 180 度打印文档。

将在垂直和水平方向上反转其他应用程序软件中配置的打印区域宽度和扩展量。

色彩/浓度手动调节

在设置**色彩修正**方法和各项设置(如**青色、品红色、黄色、色调、亮度和对比度**等)时选择。

介质类型

选择打印纸张的类型。

选择与装入打印机中的纸张相匹配的介质类型。这可确保指定的纸张执行正确打印。

打印机纸张尺寸

选择实际装入打印机的纸张尺寸。

通常，根据输出纸张尺寸设置自动设置纸张尺寸，打印文档时不进行缩放。

当在**附加功能**中设置**2 合 1 打印**或**4 合 1 打印**时，可以通过**页设置**选项卡中的**页尺寸**手动设置纸张尺寸。

如果选择的纸张尺寸小于**页尺寸**，则文档尺寸将被缩小。如果选择的纸张尺寸较大，则文档尺寸将被放大。

同样，如果选择**用户定义...**，**用户定义纸张尺寸对话框**将打开，可以指定任何垂直和水平尺寸的纸张尺寸。

方向

选择打印方向。

如果用于创建文档的应用程序具有相同的功能，请选择在此应用程序中选择的相同方向。

纵向

打印文档，使顶端和底端位置相对于进纸方向没有更改。此为默认设置。

横向

通过相对于进纸方向旋转 90 度打印文档。

通过转到 [Canon IJ Printer Assistant Tool](#)，打开**用户定义设置**对话框，然后使用**当方向为[横向]时向左旋转 90 度**复选框，可以更改旋转方向。

要在打印时将文档向左旋转 90 度，请选中**当方向为[横向]时向左旋转 90 度**复选框。

打印质量

选择所需的打印质量。

选择以下其中一种以设置合乎用途的打印质量级别。

要单独设置打印质量级别，请单击**主要**选项卡，将**打印质量**选择为**用户定义**。**设置...**变为**启用**。单击**设置...**以打开**用户定义对话框**，然后指定所需设置。

高

打印质量优于打印速度。

标准

以平均的速度和质量打印。

快速

打印速度优于打印质量。

纸张来源

请选择供应纸张的来源。

手动供纸

从后部的手动进纸托盘中供纸。

上端进纸盘

纸张始终从上端进纸盘供纸。

重要事项

- 根据介质类型和尺寸，可选择的**纸张来源**设置可能不同。

份数

指定要打印的份数。可以指定一个从 1 到 999 之间的数值。

重要事项

- 当创建文档的应用程序软件具有相同的功能时，请指定打印机驱动程序**的设置**。然而，如果打印结果不能令人满意，请指定应用程序软件上的功能设置。

始终以当前设置打印

从下次执行打印开始以当前设置打印文档。

选择该功能后关闭**打印机驱动程序设置窗口**时，将保存在**快速设置**、**主要**和**页设置**选项卡中设置的信息，并且从下次执行打印开始可以使用相同的设置打印。

重要事项

- 如果使用其他用户名称登录，启用该功能时所设的设置不会体现在打印设置中。
- 如果在应用程序软件中指定了设置，则优先使用该设置。

默认值

将修正中所做的设置恢复至默认状态。

单击该按钮可将**快速设置**、**主要**和**页设置**选项卡上的所有设置恢复为默认值(出厂设置)。

保存常用设置对话框

在该对话框上，可以保存**快速设置**、**主要**和**页设置**选项卡中设置的信息，并将这些信息添加到**快速设置**选项卡上的**常用设置**列表中。

名称

输入要保存的打印配置文件的名称。

最多可以输入 255 个字符。

该名称及其关联的图标会出现在**快速设置**选项卡上的**常用设置**列表中。

选项...

打开**保存常用设置对话框**。

更改要保存的打印配置文件的详细信息。

保存常用设置对话框

选择要注册到**常用设置**中的打印配置文件的图标，并在打印配置文件中更改要保存的项目。

图标

选择要保存的打印配置文件的图标。

所选的图标及其名称会出现在**快速设置**选项卡上的**常用设置**列表中。

保存纸张尺寸设置

将纸张尺寸保存到**常用设置**中的打印配置文件。

要在选择打印配置文件时应用保存的纸张尺寸，请选中该复选框。

如果取消选中该复选框，则不保存纸张尺寸，因此选择打印配置文件时不应用纸张尺寸设置。打印机将使用通过应用程序软件指定的纸张尺寸进行打印。

保存方向设置

将**方向**保存到**常用设置**中的打印配置文件。

要在选择打印配置文件时应用保存的打印方向，请选中该复选框。

如果取消选中该复选框，则不保存打印方向，因此选择打印配置文件时不应用**方向**设置。打印机将使用通过应用程序软件指定的打印方向进行打印。

保存份数设置

将**份数**设置保存到**常用设置**中的打印配置文件。

要在选择打印配置文件时应用保存的份数设置，请选中该复选框。

如果取消选中该复选框，则不保存份数设置，因此选择打印配置文件时不应用**份数**设置。打印机将使用通过应用程序软件指定的份数设置进行打印。

用户定义纸张尺寸对话框

在该对话框上，您可以指定用户定义纸张的尺寸(宽度和高度)。

单位

选择用于输入用户定义纸张尺寸的单位。

纸张尺寸

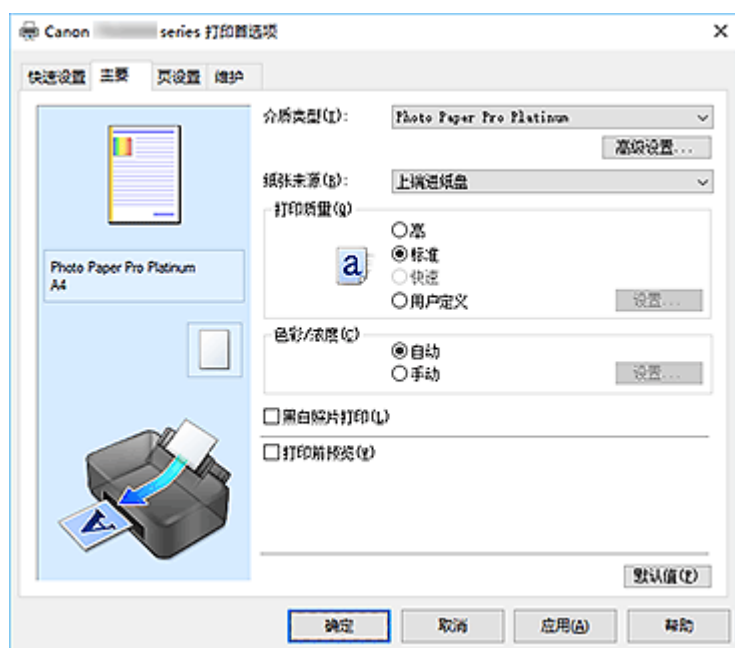
指定用户定义纸张的**宽度**和**高度**。根据**单位**中指定的单位显示测量。

相关主题

- [基本打印设置](#)
- [注册常用打印配置文件](#)
- [设置信封打印](#)
- [打印前显示打印效果](#)
- [双面打印](#)
- [执行无边距打印](#)
- [用单色打印彩色文档](#)
- [指定色彩修正](#)
- [调整色彩平衡](#)
- [调节亮度](#)
- [调节对比度](#)
- [设置纸张尺寸\(用户定义尺寸\)](#)
- [设置页尺寸和方向](#)
- [根据用途切换纸张来源](#)
- [设置打印份数和打印顺序](#)

主要选项卡的说明

在**主要**选项卡上，可以根据介质类型创建基本打印设置。除非要求进行特殊打印，否则仅需在该选项卡上设置各项目即可执行常规打印。



设置预览

纸张图示显示了如何在一张纸上布置原稿。

您可以查看整体布局图像。

打印机图示显示了如何装入符合打印机驱动程序设置的纸张。

开始打印前，查看图示以检查打印机是否设置正确。

介质类型

选择打印纸张的类型。

选择与装入打印机中的纸张相匹配的介质类型。这可确保指定的纸张执行正确打印。

高级设置...

打开[纸张详细设置对话框](#)，并指定与打印机中装入的介质类型相匹配的详细打印设置。

纸张来源

显示供入纸张的来源。

可以用打印机驱动程序切换纸张来源。

手动供纸

从后部的手动进纸托盘中供纸。

上端进纸盘

纸张始终从上端进纸盘供纸。

重要事项

- 根据介质类型和尺寸，可选择的**纸张来源**设置可能不同。

打印质量

选择所需的打印质量。

选择以下其中一种以设置合乎用途的打印质量级别。

重要事项

- 根据介质类型设置，即使更改打印质量，可能也会产生相同的打印效果。

高

打印质量优于打印速度。

标准

以平均的速度和质量打印。

快速

打印速度优于打印质量。

用户定义

当要分别设置打印质量级别时选择该项。

设置...

将打印质量选择为用户定义以启用此按钮。

打开[用户定义对话框](#)。然后您可以分别设置打印质量级别。

色彩/浓度

选择色彩调整方法。

自动

自动调整青色、品红色、黄色、亮度和对比度等。

手动

在设置各项设置(如青色、品红色、黄色、色调、亮度和对比度等以及色彩修正方法)时选择。

设置...

将色彩/浓度选择为手动以启用该按钮。

在手动色彩调节对话框中，可以调整[色彩调整选项卡](#)上的各项色彩设置，如青色、品红色、黄色、色调、亮度和对比度，并选择[匹配选项卡](#)上的色彩修正方法。

注释

- 如果想使用 ICC 配置文件调整色彩，请使用[手动色彩调节对话框](#)以设置此配置文件。

黑白照片打印

黑白照片打印是指打印文档时将数据转换为单色数据的功能。

选中该复选框以单色打印彩色文档。

打印前预览

在实际打印数据前显示打印效果。

选中该复选框以在打印前显示预览。

默认值

将修正中所做的设置恢复至默认状态。

单击此按钮会将当前屏幕上的所有设置恢复为默认值(出厂设置)。

纸张详细设置对话框

干燥时间

可以设置打印下一页之前，打印机等待时间的长度。

如果在打印面完全晾干之前下一页已经输出且纸张脏污，请设置更长的墨水晾干时间。

打印头高度

可以增加打印头和纸张之间的空隙，以便减少打印高密度页时的纸张磨损。要减少纸张磨损，请选择避免纸张磨损。

用户定义对话框

设置质量级别并选择所需的打印质量。

质量

可以使用滑动条来调整打印质量级别。

重要事项

- 根据介质类型的设置，可能无法选择某些打印质量级别。

注释

- 高、标准或快速打印质量模式与滑动条相关联。因此，移动滑动条时，左侧会显示相应的质量和数值。此操作与主要选项卡上的打印质量选择为相应的单选按钮时获得的效果相同。

色彩调整选项卡

在此选项卡上，可以更改青色、品红色、黄色、色调、亮度和对比度选项的设置，从而调整色彩平衡。

预览

显示色彩调节的效果。

调整各项目时，色彩和亮度将会改变。

注释

- 选中黑白照片打印复选框时，图形以单色显示。

查看彩色图案

显示一个图案以查看色彩调节带来的颜色变更。

如果要以一种色彩图案显示预览图像，请选中该复选框。

青色/品红色/黄色

调整青色、品红色和黄色的强度。

向右移动滑块将使色彩更深，向左移动滑块将使色彩更浅。

也可以直接输入与滑块关联的数值。输入从-50到50范围内的数值。

此调整可更改各色彩使用的相对墨水量，而墨水量可改变文档的整体色彩平衡。如果想有效地更改整体色彩平衡，请使用应用程序。仅当要细微调整色彩平衡，请使用打印机驱动程序。

重要事项

- 选中主要选项卡上的黑白照片打印时，青色、品红色和黄色将显示为灰色且不可用。

色调

设置用于黑白照片打印的色调。

可以从下拉菜单中为单色色调选择颜色。

冷色调

该项目将色调调整为冷色调灰色(冷黑)。当选择该项目时，X的输入值为-30，Y的输入值为0。

黑白

该项目将色调调整为中性色调灰色。当选择该项目时，X的输入值为0，Y的输入值为0。

暖色调

该项目将色调调整为暖色调灰色(暖黑)。当选择该项目时，X 的输入值为 30，Y 的输入值为 0。

用户定义

可以在查看中央调整区域中的色彩时使用水平和垂直滑块调整色调。

通过左/右或上/下拖动滑块分别调整水平和垂直滑块。

也可以使用鼠标单击或拖动中央调整区域来调整色调。

也可以直接输入连接滑块的数值。输入数值时，X 的设置范围为-100 至 100，Y 的设置范围为-50 至 50。

►► 注释

- 用户定义在直接输入调整值后会自动显示，因此无法选择。

X、Y(单色调整值)

如有必要，可以手动调整单色色彩。

要调整色调，直接输入数值或单击向上/向下箭头。

也可以使用鼠标单击或拖动调整区域来调整色调。

该数值也连接水平和垂直滑块。

输入数值时，X 的设置范围为-100 至 100，Y 的设置范围为-50 至 50。

所选数值将显示在左侧的预览中。

►► 重要事项

- 对于某些介质类型设置，该功能不可用。

亮度

调整打印的亮度。您无法更改纯白色和纯黑色水平。但是，可以更改白色和黑色之间色彩的对比度。向右移动滑块使颜色变亮(减淡)，向左移动此滑块将使颜色变暗(加深)。也可以直接输入与滑块联动的亮度值。输入从-50 到 50 范围内的数值。

对比度

调整要打印图像中明暗之间的对比度。

向右移动滑块将增加对比度，向左移动滑块将减少对比度。

也可以直接输入与滑块关联的数值。输入从-50 到 50 范围内的数值。

匹配选项卡

可以选择调整色彩的方法以便与要打印文档的类型匹配。

色彩修正

可以选择驱动校正、ICM 或无以符合打印操作的用途。

►► 重要事项

- 选中主要选项卡上的黑白照片打印时，色彩修正将显示为灰色且不可用。

驱动校正

通过使用 Canon 数码照片色彩，可以使用大众喜爱的色彩打印 sRGB 数据。

ICM

打印时通过使用 ICC 配置文件调整色彩。

指定要使用的输入配置文件、打印机配置文件和渲染方法。

重要事项

- 如果设置应用程序软件以便禁用 ICM，则**色彩修正**中的 **ICM** 不可用并且打印机可能无法正确打印图像数据。

无

使用打印机驱动程序禁用色彩调整。

输入配置文件

将**色彩修正**选择为 **ICM** 时，指定要使用的输入配置文件。

标准

使用支持 ICM 色彩空间的标准打印机配置文件(sRGB)。此为默认设置。

打印机配置文件

将**色彩修正**选择为 **ICM** 时，指定要使用的打印机配置文件。

通常选择**自动**，但也可以手动选择打印机配置文件。

渲染方法

将**色彩修正**选择为 **ICM** 时，指定要使用的匹配方法。

饱和度

使用该方法比**可感知**方法重现的图像更加鲜艳。

可感知

该方法通过关注大众喜爱的色彩重现图像。选择该方法以打印照片。

相对比色

当图像数据转换为打印机的色彩空间时，该方法转换图像数据，所以重现的色彩接近于共享的色彩区域。选择该方法以打印色彩接近原始色彩的图像数据。

重现像纸张上的白点一样的白点(背景颜色)。

绝对比色

此方法使用输入和输出 ICC 配置文件中的白点清晰度转换图像数据。

尽管白点的色彩和色彩平衡发生变化，但由于为组合配置文件，可能无法获得所需的输出结果。

重要事项

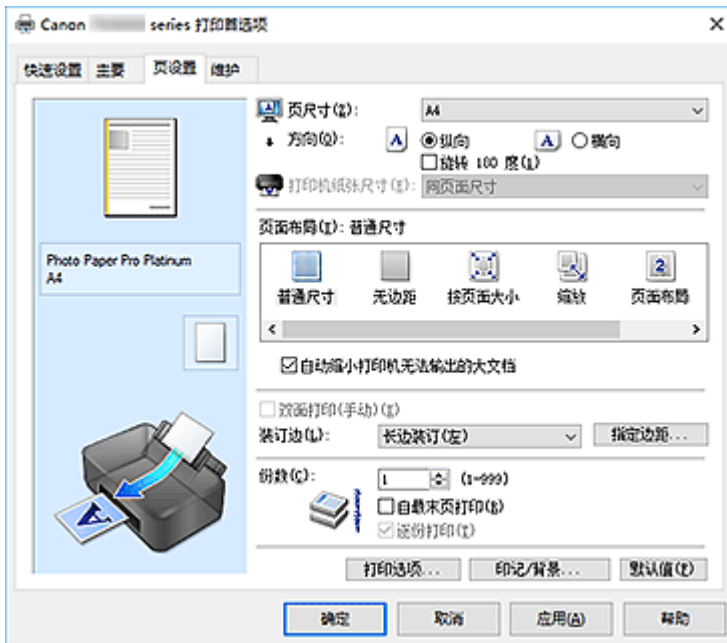
- 根据介质类型的不同，即使更改**渲染方法**设置，也可能获得相同的打印结果。

相关主题

- [根据用途切换纸张来源](#)
- [设置打印质量级别\(用户定义\)](#)
- [调整色彩平衡](#)
- [调整色调](#)
- [调节亮度](#)
- [调节对比度](#)
- [指定色彩修正](#)
- [使用打印机驱动程序调整色彩](#)
- [使用 ICC 配置文件进行打印](#)
- [用单色打印彩色文档](#)
- [打印前显示打印效果](#)

页设置选项卡的说明

页设置选项卡还允许您决定如何在纸张上排列文档。还可以通过此选项卡设置打印的份数和顺序。如果创建文档的应用程序具有类似的功能，请使用该应用程序进行设置。



设置预览

纸张图示显示了如何在一张纸上布置原稿。

您可以查看整体布局图像。

打印机图示显示了如何装入符合打印机驱动程序设置的纸张。

开始打印前，查看图示以检查打印机是否设置正确。

页尺寸

选择页尺寸。

确保选择与在应用程序中所选择尺寸相同的页尺寸。

如果选择用户定义...，[用户定义纸张尺寸对话框](#)将打开，可以指定任何垂直和水平尺寸的纸张尺寸。

方向

选择打印方向。

如果用于创建文档的应用程序具有相同的功能，请选择在此应用程序中选择的相同方向。

纵向

打印文档，使顶端和底端位置相对于进纸方向没有更改。此为默认设置。

横向

通过相对于进纸方向旋转 90 度打印文档。

通过转到 [Canon IJ Printer Assistant Tool](#)，打开用户定义设置对话框，然后使用当方向为[横向]时向左旋转 90 度复选框，可以更改旋转方向。

要在打印时将文档向左旋转 90 度，请选中当方向为[横向]时向左旋转 90 度复选框。

旋转 180 度

通过向进纸方向旋转 180 度打印文档。

将在垂直和水平方向上反转其他应用程序软件中配置的打印区域宽度和扩展量。

打印机纸张尺寸

选择实际装入打印机的纸张尺寸。

默认设置为**同页面尺寸**以执行普通尺寸打印。

将**页面布局**选择为**按页面大小**、**缩放**、**页面布局**、**平铺/海报**或**书册**时，可以选择打印机纸张尺寸。

如果选择的纸张尺寸小于**页尺寸**，则文档尺寸将被缩小。如果选择的纸张尺寸较大，则文档尺寸将被放大。

同样，如果选择**用户定义...**，[用户定义纸张尺寸对话框](#)将打开，可以指定任何垂直和水平尺寸的纸张尺寸。

页面布局

选中待打印文档的尺寸和打印类型。

普通尺寸

此为普通打印方法。当未指定任何页面布局时选择该项。

自动缩小打印机无法输出的大文档

如果打印机无法打印文档的纸张尺寸，则打印机可以在打印文档时自动缩小尺寸。

选中该复选框以在打印文档时缩小尺寸。

无边距

选择无边距整页上还是带边距整页上打印。

如果使用无边距打印，原稿会被放大且略微超出纸张。这样可以执行无边距(边框)打印。

进行无边距打印时，使用**扩展量**来调整文档超出纸张的扩展量。

扩展量

进行无边距打印时，调整文档超出纸张的扩展量。

向右移动滑块可增加扩展量并确保无边距打印顺利执行。

向左移动滑块可减少扩展量并扩大文档的打印范围。

按页面大小

利用该功能可以自动放大或缩小文档以适合打印机中装入的纸张尺寸，而无需更改在应用程序软件中指定的纸张尺寸。

缩放

可以放大或缩小要打印的文档。

在**打印机纸张尺寸**中指定尺寸，或在**比例**对话框中输入缩放比例。

比例

为要打印的文档指定放大或缩小比例。

页面布局

可以在一张纸上打印多页文档。

指定...

打开[页面布局打印对话框](#)。

单击此按钮以设置有关页面布局打印的详细资料。

平铺/海报

利用此功能可以放大图像数据并将放大的数据分割成要打印的若干页面。还可以将这些纸张用胶水粘在一起制作大型印刷品，如海报。

指定...

打开[平铺/海报打印对话框](#)。

单击此按钮以设置有关平铺/海报打印的详细资料。

书册

书册打印功能可以将数据打印成册。将在纸张的双面打印数据。此打印类型可以确保将打印好的纸张沿中心对折并装订时，能够按照页码顺序正确分页。

指定...

打开[书册打印对话框](#)。

单击此按钮以设置有关书册打印的详细资料。

双面打印(手动)

选择是在纸张的双面手动打印文档还是在纸张的单面打印文档。

选中该复选框以在双面打印文档。

只有将**介质类型**选择为**普通纸**，且选择**普通尺寸**、**按页面大小**、**缩放**或**页面布局**中的一项时，才可以使用该功能。

装订边

选择装订边位置。

打印机将分析**方向**和**页面布局**设置，并自动选择最佳装订边位置。选中**装订边**，并从列表中选择以进行更改。

指定边距...

打开[指定边距对话框](#)。

可以指定边距的宽度。

份数

指定要打印的份数。可以指定一个从 1 到 999 之间的数值。

▶▶▶ 重要事项

- 如果用于创建文档的应用程序具有类似功能，请使用该应用程序指定份数，而不要在此处指定。

自最末页打印

要从末页开始打印，请选中该复选框。如果选中该复选框，则无需在打印后将页面排序为正确顺序。

取消选中该复选框可按正常顺序从第一页开始打印文档。

逐份打印

当要打印多个副本时，选中该复选框可将各副本的页面组合在一起。

如果要在打印时将同一页码的所有副本组合在一起，请取消选中该复选框。

▶▶▶ 重要事项

- 当创建文档的应用程序软件具有相同的功能时，优先使用打印机驱动程序设置。然而，如果打印结果不能令人满意，请指定应用程序软件上的功能设置。当同时使用应用程序和本打印机驱动程序指定打印份数和打印顺序时，打印份数可能是两个设置的倍数或者指定的打印顺序可能不起作用。

打印选项...

打开[打印选项对话框](#)。

为打印从应用程序发送的打印数据而更改详细的打印机驱动程序设置。

印记/背景...

打开[印记/背景对话框](#)。

印记功能可以在文档数据之上或之下打印印记文本或位图。该功能可以打印日期、时间和用户名称。**背景**功能可以在文档数据之下打印浅色的图案。

根据环境的不同，**印记**和**背景**可能不可用。

用户定义纸张尺寸对话框

在该对话框上，您可以指定用户定义纸张的尺寸(宽度和高度)。

单位

选择用于输入用户定义纸张尺寸的单位。

纸张尺寸

指定用户定义纸张的**宽度**和**高度**。根据**单位**中指定的单位显示测量。

页面布局打印对话框

在该对话框上，您可以选择要在一张纸上放置的文档数量、页面顺序以及是否在各文档页面周围打印页面边框线。

可以在打印机驱动程序的设置预览中确认在此对话框中指定的设置。

预览图标

显示**页面布局打印**对话框中的设置。

可以在实际打印数据前查看打印效果。

页面布局

指定要充满整个页面的文档页数。

页序

指定在一张纸上打印的文档方向。

页面边框

在各文档页面周围打印页面边框线。

选中该复选框以打印页面边框线。

平铺/海报打印对话框

在该对话框上，您可以选择要打印图像的尺寸。还可以对剪切线和粘贴标记进行设置，以便将多个页面粘贴到一张海报中。

可以在打印机驱动程序的设置预览中确认在此对话框中指定的设置。

预览图标

显示**平铺/海报打印**对话框的设置。

您可以查看打印效果。

图像分割

选择分割数目(垂直 x 水平)。

随着分割数目的增加，打印所需的纸张也会增加。如果将多页粘贴在一起制作海报，增加分割数目可以制作大型海报。

在页边打印“剪切/粘贴”

指定是否在边距上打印“剪切”和“粘贴”文字。这些文字可以在将多个页面粘贴到一张海报中时作为指南。

选中该复选框以打印文字。

»» 注释

- 根据正在使用的打印机驱动程序的环境，此功能可能不可用。

在页边打印“剪切/粘贴”线

指定是否打印可在将多个页面粘贴到一张海报中时作为指南的剪切线。

选中该复选框以打印剪切线。

打印页范围

指定打印范围。通常情况下选择**全部**。

选择**页数**以指定特定页面或范围。

»» 注释

- 如果部分页面的打印效果不好，则通过在**页设置**选项卡的设置预览中单击指定不需要打印的页面。此次将只打印屏幕上显示的页面。

书册打印对话框

在该对话框上，您可以设置如何将文档装订为书册。还可以在此对话框中设置仅在一面打印以及打印页面边框。

可以在打印机驱动程序的设置预览中确认在此对话框中指定的设置。

预览图标

显示在**书册打印**对话框中所做的设置。

您可以在打印为书册时查看文档效果。

装订边

指定书册装订面。

插入空白页

选择是在书册的单面还是双面打印文档。

选中该复选框以在书册的单面打印文档并从列表中选择保留为空白的一面。

边距

指定装订边的宽度。

从纸张的中心算起，该指定宽度为装订边。

页面边框

在各文档页面周围打印页面边框线。

选中该复选框以打印页面边框线。

指定边距对话框

在该对话框上，可以指定装订边的边距宽度。如果文档不适合在一页上打印，打印时将缩小文档。

边距

指定装订边的宽度。

通过**装订边**指定的页边宽度将成为装订边距。

打印选项对话框

更改设置以打印发送到打印机的数据。

根据环境的不同，该功能可能不可用。

禁用应用程序软件所需的 ICM

禁用应用程序软件所需的 ICM 功能。

当应用程序软件使用 Windows ICM 打印数据时，可能会产生非所需色彩或者打印速度可能变慢。如果出现这些问题，选中该复选框可能会解决问题。

▶▶▶ 重要事项

- 在正常情况下取消选中该复选框。
- 将**手动色彩调节**对话框的**匹配**选项卡中的**色彩修正**选择为**ICM**时，无法使用该功能。

禁用应用程序软件的色彩配置文件设置

选中该复选框会禁用应用程序软件中设置色彩配置文件中的信息。

当应用程序软件中设置色彩配置文件中的信息输出到打印机驱动程序时，打印结果可能包含非所需色彩。如果发生这种情况，选中该复选框可能会解决问题。

▶▶▶ 重要事项

- 在正常情况下取消选中该复选框。
- 即使选中该复选框，也仅会禁用色彩配置文件中的某些信息，色彩配置文件仍可用于打印。

禁用应用程序软件的纸张来源设置

禁用应用程序设置的纸张送入方法。

对于一些应用程序如 Microsoft Word，数据可能用不同于打印机驱动程序设置的送入方法打印。在这种情况下，检查此项功能。

▶▶▶ 重要事项

- 当启用此项功能时，一般情况下纸张送入方法无法从 Canon IJ 预览更改。

取消纸张组合

设置**介质类型**、**页尺寸**和**打印机纸张尺寸**的显示方式。

要分别显示项目，请选中该复选框。

要按组显示项目，请清除该复选框。

不允许应用程序软件压缩打印数据

禁止压缩应用程序软件打印数据。

如果打印结果中有图像数据缺失或非所需色彩，选中该复选框可能会改善情况。

▶▶▶ 重要事项

- 在正常情况下取消选中该复选框。

逐页创建打印数据后打印

以页为单位创建打印数据，并且在处理完每一页打印数据后开始打印。

如果打印的文档包含条纹等非所需结果，选中该复选框可能会改善结果。

▶▶▶ 重要事项

- 在正常情况下取消选中该复选框。

取消纸张尺寸的安全边距规则

在**主要**选项卡上将**介质类型**设置为**Matte Photo Paper**、**优质精细艺术 粗面相片打印纸**或**Photo Paper Pro Premium Matte A**时，请取消安全边距规则。

选中此项目时，将取消安全边距规则，可以在更大的打印区域内打印和执行整页无边距打印，并且可以在所有纸张尺寸上执行打印。

根据所使用的纸张尺寸和环境，取消安全边距规则时，纸张可能会变脏或打印质量可能下降。

如果发生这种情况，建议在边距较大的纸张尺寸上进行打印。

防止打印数据丢失

可以缩小应用程序软件创建的打印数据的大小，然后打印这些数据。

根据所使用的应用程序软件，图像数据可能会被裁切或可能无法正确打印。在这种情况下，请选择**开(弱)**或**开(强)**。

关

打印机不使用此功能打印数据。

开(弱)

仅在数据质量可接受时，打印机才会使用此功能打印数据。

开(强)

打印机始终使用此功能打印数据。

重要事项

- 当使用该功能时，根据打印数据，打印质量可能会下降。

打印数据处理单元

选择要发送到打印机的打印数据处理单元。

通常情况下选择**推荐**。

重要事项

- 某些设置可能会使用大量内存。
如果所用计算机只有少量内存，请勿更改该设置。

印记/背景对话框

使用**印记/背景**对话框，可以在文档页面正面或背面打印印记和/或背景。除了预先注册的印记或背景外，可以注册并使用自己原创的印记或背景。

印记

印记打印是一项在文档上打印印记的功能。

选中该复选框并从列表中选择标题以打印印记。

定义印记...

打开**印记设置对话框**。

可以查看所选印记的详细信息或保存新的印记。

在文本上盖印记

设置在文档上打印印记的方式。

选中**印记**复选框以启用该设置。

选中该复选框以在打印文档页面之上打印印记。打印数据可能会隐藏在印记之下。

取消选中该复选框以将文档数据打印在印记之上。打印数据将不会隐藏在印记之下。但是，可能会隐藏与文档重叠的印记部分。

仅在首页加印记

当文档包含两页或更多页时，选择是仅在第一页上打印印记，还是在所有页上打印印记。

选中**印记**复选框以启用该设置。

选中该复选框以仅在第一页上打印印记。

背景

背景打印功能可以在文档之下打印图案或类似对象(位图)。

选中该复选框以打印背景，并从列表中选择标题。

选择背景...

打开**背景设置对话框**。

可以将位图注册为背景，并更改所选背景的布局方法和浓度。

仅在首页加背景

当文档包含两页或更多页时，选择是仅在第一页上打印背景，还是在所有页上打印背景。
选中**背景**复选框以启用该设置。
选中该复选框以仅在第一页上打印背景。

印记选项卡

在印记选项卡上可以设置要用于印记的文本和位图文件(.bmp)。

预览窗口

显示在各个选项卡中配置的印记状态。

印记类型

指定印记类型。

选择**文本**以使用字符创建印记。选择**位图**以使用位图文件创建。选择**日期/时间/用户名称**以显示打印文档的创建日期/时间和用户名称。

印记选项卡中的设置项目会根据所选类型而变化。

当印记类型为文本或日期/时间/用户名称时

印记文本

指定印记文本串。

最多可以输入 64 个字符。

对于**日期/时间/用户名称**，打印对象的创建日期/时间和用户名称将显示在**印记文本**中。

▶▶▶ 重要事项

- 如果选择了**日期/时间/用户名称**，则**印记文本**显示为灰色且不可用。

TrueType 字体

选择印记文本串的字体。

风格

选择印记文本串的字体样式。

大小

选择印记文本串的字号。

外框

选择围绕印记文本串的外框。

如果**大小**选择为较大的字号，字符可能会延伸到印记边框以外。

颜色/选择颜色...

显示印记的当前颜色。

要选择其他颜色，请单击**选择颜色...**打开**颜色**对话框，并选择或创建要用于印记的颜色。

当印记类型为位图时

文件

指定要用作印记的位图文件的名称。

选择文件...

打开用于打开文件的对话框。

单击该按钮选择要用作印记的位图文件。

大小

调整要用作印记的位图文件的大小。

向右移动滑块将增加大小，向左移动滑块将减小大小。

透明白色区

指定是否使位图的白色填充区域变为透明。

选中该复选框以使位图的白色填充区域变为透明。

»» 注释

- 单击**默认值**可将**印记类型**设置为**文本**、将**印记文本**设置为**空白**、将**TrueType 字体**设置为**Arial**、将**风格**设置为**常规**、将**大小**设置为**36 磅**，取消选中**外框**，并将**颜色**设置为**灰色**，RGB 值(192、192、192)。

放置选项卡

在放置选项卡上，可以设置印记的打印位置。

预览窗口

显示在各个选项卡中配置的印记状态。

位置

指定页面上的印记位置。

从列表中选择**用户定义**，可以直接输入**X 轴位置**和**Y 轴位置**的坐标值。

旋转

指定印记的旋转角度。可以通过输入角度值来设置角度。

负值会使印记顺时针旋转。

»» 注释

- 仅将**印记选项卡**上的**印记类型**选择为**文本**或**日期/时间/用户名称**时，**旋转**才能启用。

»» 注释

- 单击**默认值**可将**印记位置**设置为**居中**并将**旋转**设置为**0**。

保存设置选项卡

在**保存设置**选项卡上，可以注册新的印记或删除不需要的印记。

标题

输入标题以保存所创建的印记。

最多可以输入 64 个字符。

»» 注释

- 标题的开头和末尾不能输入空格、制表符和回车。

印记

显示已保存印记的标题列表。

在**标题**中指定标题以显示相应的印记。

保存/保存改写

保存印记。

在**标题**中输入标题，然后单击该按钮。

删除

删除不需要的印记。

从印记列表中指定不需要的印记的标题，然后单击该按钮。

背景选项卡

在背景选项卡上可以选择要用作背景的位图文件(.bmp)或决定打印所选背景的方式。

预览窗口

显示在背景选项卡上设置的位图状态。

文件

指定要用作背景的位图文件的名称。

选择文件...

打开用于打开文件的对话框。

单击该按钮选择要用作背景的位图文件(.bmp)。

布局方法

指定如何在纸张上放置背景图像。

当选择**用户定义**时，可以设置 **X 轴位置**和 **Y 轴位置**的坐标。

浓度

调整要用作背景的位图的浓度。

向右移动滑块将增加浓度，向左移动将减少浓度。要以原始位图浓度打印背景，请将滑块移至最右端。

►► 注释

- 根据环境的不同，该功能可能不可用。
- 单击**默认值**可将**文件**设置为空白，**布局方法**设置为**填充页**，并将**浓度**滑块设置为中间位置。

保存设置选项卡

在**保存设置**选项卡上，可以注册新的背景或删除不需要的背景。

标题

输入标题以保存所指定的背景图像。

最多可以输入 64 个字符。

►► 注释

- 标题的开头和末尾不能输入空格、制表符和回车。

背景

显示已注册背景的标题列表。

在**标题**中指定标题以显示相应的背景。

保存/保存改写

将图像数据保存为背景。

插入**标题**后，单击该按钮。

删除

删除不需要的背景。

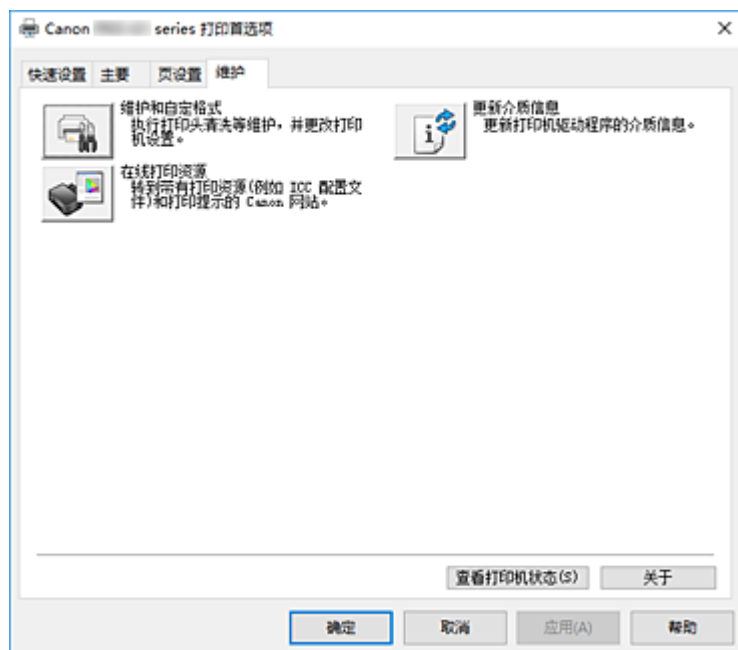
从**背景**列表中指定不需要的背景的标题，然后单击该按钮。

相关主题

- [设置纸张尺寸\(用户定义尺寸\)](#)
- [设置页尺寸和方向](#)
- [执行无边距打印](#)
- [按页面大小打印](#)
- [比例打印](#)
- [页面布局打印](#)
- [平铺/海报打印](#)
- [书册打印](#)
- [双面打印](#)
- [设置装订边距](#)
- [设置打印份数和打印顺序](#)
- [更改打印选项](#)
- [印记/背景打印](#)

维护选项卡的说明

使用**维护**选项卡，可以启动 [Canon IJ Printer Assistant Tool](#) 或查看打印机状态。



维护和自定义格式

启动 Canon IJ Printer Assistant Tool。
可以执行打印机维护或更改打印机设置。



在线打印资源

转到提供 ICC 配置文件和打印提示等打印资源的 Canon 网站。

重要事项

- 要使用该功能，必须连接互联网。请注意，您需要承担所有互联网连接费用。



更新介质信息

从打印机获取最新的介质信息并更新打印机驱动程序中的介质信息。
介质信息更新后，**主要**选项卡上的**介质类型**显示的介质将更新为最新信息。
如果驱动程序中的介质信息无法成功更新，单击[最初确认项目](#)并检查显示的内容。

查看打印机状态

启动 Canon IJ Status Monitor。
当想要查看打印机状态以及打印作业如何进行时，请执行该功能。

关于

打开[关于对话框](#)。
可以查看打印机驱动程序的版本以及版权通知。
此外，可切换要使用的语言。

最初确认项目(更新介质信息)

确认打印机是否已连接到计算机并已开启。
如果无法更新介质信息，请检查以下几点。

- 确认由设有管理员权限的用户执行介质信息更新。
管理员以外的用户可以检查是否需要更新介质信息，但无法执行更新。
- 更新介质信息前，确保已使用 Media Configuration Tool 添加、编辑或删除打印机上的介质信息。

重要事项

- 更新介质信息可能会花费一些时间。
- 更新打印机驱动程序中的介质信息时，请勿更改打印机上的介质信息。

关于对话框

单击关于时，会显示关于对话框。

该对话框显示打印机驱动程序版本、版权以及模块列表。可以选择要使用的语言并切换在设置窗口中显示的语言。

模块

列出打印机驱动程序模块。

语言

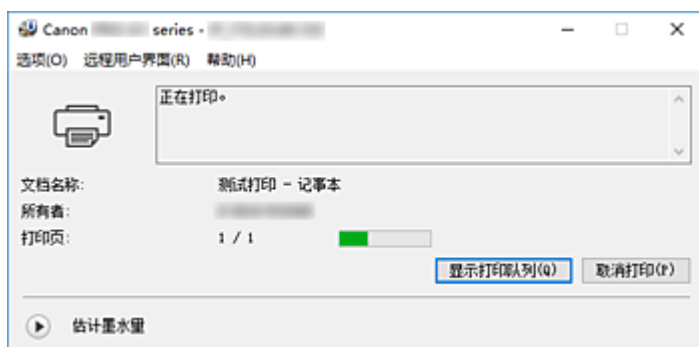
指定想要在[打印机驱动程序设置窗口](#)中使用的语言。

重要事项

- 如果系统中没有安装显示所选语言的字体，则字符将显示为乱码。

Canon IJ Status Monitor 的说明

Canon IJ Status Monitor 显示打印机状态以及打印进程。通过状态监视器中的图像、图标和信息显示打印机状态。



Canon IJ Status Monitor 的功能

Canon IJ Status Monitor 具有以下功能:

在屏幕上显示打印机状态

状态监视器实时显示打印机状态。
可以检查每个要打印的文档(打印作业)的进程。

显示错误内容和纠正步骤

状态监视器会显示打印机上发生的所有错误信息。
然后可以立即检查要执行何种措施。

墨水状态显示

显示墨水状态。
可以确认墨水盒的类型和墨水量。

Canon IJ Status Monitor 概述

Canon IJ Status Monitor 使用图像、图标和信息显示打印机状态和墨水状态。

打印过程中, 可以查看正在打印文档和打印进程的信息。

如果发生错误, 状态监视器会显示错误内容和如何纠正错误的说明。按照信息进行操作。

打印机

当打印机出现警告或错误时, Canon IJ Status Monitor 会显示相应图标。



: 有警告。



: 有人为操作错误。



: 有除警告或错误以外的通知。



: 已出现需要维修的错误。

文档名称

正在打印的文档的名称。

所有者

正在打印的文档的所有者名称。

打印页

当前页面的页码和总页数。


显示打印队列

控制当前文档和等待打印文档的打印队列。

取消打印

取消打印。

估计墨水量

单击  (可展开三角形) 将显示墨水盒中估计墨水量的图示。

另外，如果剩余墨水量不足或用完，会显示一个图标或一条信息(墨水量警告/墨水用尽错误)。将光标移动到图像上以查看详细信息，如打印机可以使用的剩余墨水量和墨水盒的名称。

墨水型号编号

可以为打印机查找正确的墨水盒。

选项菜单

如果显示打印机信息，请选择 **启动 Status Monitor** 以启动 Canon IJ Status Monitor。

选择 **启动状态监视器** 以使用以下命令：

始终显示当前任务

只要有文档正在打印，则会显示 Canon IJ Status Monitor。

始终显示在最前部

将 Canon IJ Status Monitor 显示在其他窗口前面。

显示指南信息

显示复杂的纸张设置操作相关指南信息。

信封打印

信封打印开始时显示指南信息。

要隐藏该指南信息，请选择 **不再显示此消息** 复选框。

要再次显示此指南信息，打开 **选项菜单**，选择 **显示指南信息** 并单击 **信封打印**，然后启用此设置。

Hagaki 打印

在打印机开始 Hagaki 打印之前显示指南信息。

要显示此指南信息，打开 **选项菜单**，选择 **显示指南信息** 并单击 **Hagaki 打印**，然后启用此设置。

要隐藏该指南信息，请选择 **不再显示此消息** 复选框。

自动显示警告

当出现“缺墨警告”时

发生墨水不足警告时，会弹出 Canon IJ Status Monitor 窗口，并显示在其他窗口前面。

Windows 启动时开始

Windows 启动时会自动启动 Canon IJ Status Monitor。

远程用户界面菜单

可以打开打印机的远程用户界面。

通过网络连接并使用打印机时，可以在打印机上查看打印机状态并运行维护功能。

▶▶▶ 注释

- 通过 USB 连接使用打印机时，不会显示 **远程用户界面**。

打印机信息

可以检查打印机状态、打印进程和剩余墨水量等详细信息。

维护

可以运行打印机维护和更改打印机设置。

下载安全证书

将显示为**确保通讯安全**窗口。

使用该窗口可以下载路由认证，将其注册至浏览器并禁用警告显示。

帮助菜单

选择此菜单可显示包括版本和版权信息在内的 Canon IJ Status Monitor 的帮助信息。

相关主题

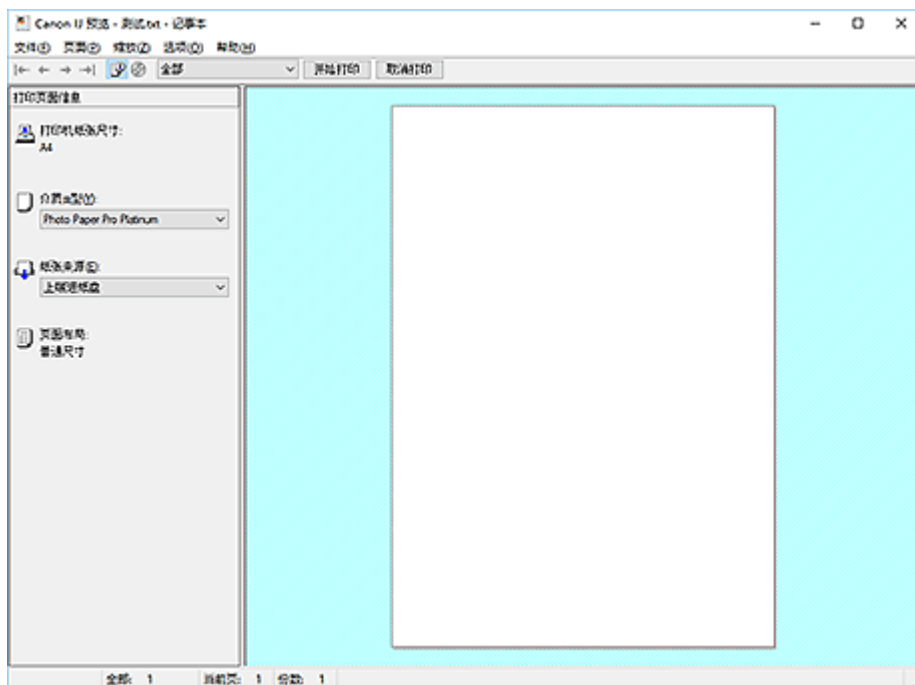
- [Canon IJ Status Monitor](#)

Canon IJ 预览的说明

Canon IJ 预览是一个应用程序软件，用于在实际打印文档前显示打印效果。

预览结果反映了打印机驱动程序中的设置信息，您可以检查文档布局、打印顺序和页数。您也可以更改介质类型和纸张来源设置。

要在打印前显示预览，请打开[打印机驱动程序设置窗口](#)，并选中**主要**选项卡上的**打印前预览**复选框。



文件菜单

选择打印操作。

开始打印

结束 Canon IJ 预览，然后开始打印预览屏幕上显示的文档。

此命令与工具栏上的**开始打印**具有相同功能。

取消打印

结束 Canon IJ 预览，并取消打印预览屏幕上显示的文档。

此命令与工具栏上的**取消打印**具有相同功能。

退出

结束 Canon IJ 预览。

页面菜单

该菜单包含以下可选择要显示页面的命令。

还可以从此工具栏选择除**页面选择...**以外的所有这些命令。

►►► 注释

- 如果正在后台打印页面，则最后进行后台打印的页面将成为最后一页。
- 如果**页设置**选项卡上的**页面布局**设置指定为**页面布局**、**平铺/海报**或**书册**，则页数是指要用于打印的张数，而不是使用应用程序软件创建的原件中的页数。
- 如果已设置为手动双面打印，则首先打印的前面部分页面将全部一起显示，然后显示后面部分页面。

第一页

显示文档的第一页。

如果当前显示的页面是第一页，则此命令为灰色且无法选择。

上一页

显示当前显示页面之前的页面。

如果当前显示的页面是第一页，则此命令为灰色且无法选择。

下一页

显示当前显示页面之后的页面。

如果当前显示的页面是最后一页，则此命令为灰色且无法选择。

最后一页

显示文档的最后一页。

如果当前显示的页面是最后一页，则此命令为灰色且无法选择。

页面选择...

显示**页面选择**对话框。

通过此命令可以指定要显示页面的页码。

缩放菜单

将在纸张上打印的实际尺寸比例选择为预览显示尺寸。

还可以从工具栏上的下拉列表框中选择比例。

全部

将整页数据显示为一页。

50%

将显示的数据缩小至要打印的实际尺寸的 50%。

100%

以要打印的实际尺寸显示数据。

200%

将显示的数据放大至要打印的实际尺寸的 200%。

400%

将显示的数据放大至要打印的实际尺寸的 400%。

选项菜单

该菜单包含以下命令：

显示打印页面信息

在预览屏幕的左侧显示每页的打印设置信息(包括打印机纸张尺寸、介质类型以及页面布局)。

通过此屏幕，还可以更改介质类型和纸张来源设置。

显示光盘上的打印区域

打印光盘标签时将显示托盘上的可打印光盘位置。

可以检查文档将打印到光盘的哪个区域。

帮助菜单

选择此菜单项目时，会显示 Canon IJ 预览的帮助窗口，并可以查看版本和版权信息。

开始打印按钮

打印在文档列表选择的文档。

打印的文档已从列表中删除，当所有文档均打印后，Canon IJ 预览会关闭。

取消打印按钮

结束 Canon IJ 预览，并取消打印预览屏幕上显示的文档。

可以在后台打印时单击此按钮。

打印页面信息屏幕

在预览屏幕的左侧显示每页的打印设置信息。

通过此屏幕，还可以更改介质类型和纸张来源设置。

▶▶▶ 重要事项

- 如果从应用程序软件设置介质类型和纸张来源，则这些设置具有优先级且已更改的设置可能无效。

打印机纸张尺寸

显示待打印文档的纸张尺寸。

介质类型

可以选择待打印文档的介质类型。

纸张来源

可以选择待打印文档的纸张来源。

页面布局

显示待打印文档的页面布局。

更新打印机驱动程序

- ▶ 安装打印机驱动程序
- ▶ 获取最新的打印机驱动程序
- ▶ 删除不需要的打印机驱动程序
- ▶ 安装打印机驱动程序之前

安装打印机驱动程序

您可以通过互联网访问我们的网站，并为您的机型下载最新的打印机驱动程序。

1. 关闭打印机

2. 启动安装程序

双击下载文件的图标。

安装程序开始。

重要事项

- 启动、安装或卸载软件时，可能会出现确认/警告对话框。
当需要管理权限以执行任务时，会出现该对话框。
当您以计算机管理员帐户登录时，单击**是**(或**继续**、**允许**)以继续。
有些应用程序需要计算机管理员帐户才能继续。在这种情况下，请切换到管理员帐户，然后重新开始操作。

3. 安装打印机驱动程序

请按照屏幕上的说明采取适当的操作。

4. 完成安装

单击**完成**。

根据使用的环境，可能会出现提示您重新启动计算机的信息。要正确完成安装，请重新启动计算机。

重要事项

- 打印机驱动程序可以免费下载，但是您必须自己支付网络连接的费用。
- 在安装最新的打印机驱动程序之前，请[删除以前安装的版本](#)。

相关主题

- [获取最新的打印机驱动程序](#)
- [删除不需要的打印机驱动程序](#)
- [安装打印机驱动程序之前](#)

获取最新的打印机驱动程序

将打印机驱动程序更新为打印机驱动程序的最新版本，可能会解决一些未解决的问题。

通过单击**维护**选项卡中的**关于**按钮，可以检查打印机驱动程序的版本。

您可以访问我们的网站，并为您的机型下载最新的打印机驱动程序。

重要事项

- 打印机驱动程序可以免费下载，但是您必须自己支付网络连接的费用。
- 在安装最新的打印机驱动程序之前，请[删除以前安装的版本](#)。

相关主题

- [安装打印机驱动程序之前](#)
- [安装打印机驱动程序](#)

删除不需要的打印机驱动程序

可以删除不再使用的打印机驱动程序。

当删除打印机驱动程序时，首先退出所有运行中的应用程序。

1. 启动卸载程序

选择**控制面板** -> **程序** -> **程序和功能**。

从程序列表中，选择“Canon XXX Printer Driver”（“XXX”表示型号名称），然后单击**卸载**。

出现卸载型号确认窗口。

重要事项

- 启动、安装或卸载软件时，可能会出现确认/警告对话框。
当需要管理权限以执行任务时，会出现该对话框。
当您以计算机管理员帐户登录时，单击**是**(或**继续**、**允许**)以继续。
有些应用程序需要计算机管理员帐户才能继续。在这种情况下，请切换到管理员帐户，然后重新开始操作。

2. 执行卸载程序

单击**执行**。出现确认信息时，单击**是**。

删除所有文件后，单击**完成**。

打印机驱动程序删除完成。

安装打印机驱动程序之前

本部分描述安装打印机驱动程序之前应检查的项目。 如果无法安装打印机驱动程序， 也请参阅本部分内容。

检查打印机状态

- 关闭打印机。

检查计算机设置

- 终止所有运行的应用程序。
- 以具有管理员帐户的用户登录。

重要事项

- 在安装最新的打印机驱动程序之前，请[删除以前安装的版本](#)。

相关主题

- [获取最新的打印机驱动程序](#)
- [安装打印机驱动程序](#)

使用 Canon 应用程序软件打印

- ▶ Easy-PhotoPrint Editor 指南
- ▶ Professional Print & Layout 指南
- ▶ 数码照片打印指南
- ▶ IJ Network Device Setup Utility 指南
- ▶ Media Configuration Tool 指南
- ▶ PosterArtist 指南

macOS 软件

▶ 打印机驱动程序

- 打印机驱动程序概述
- 打印对话框的说明
- 更新打印机驱动程序

▶ 使用 Canon 应用程序软件打印

- Easy-PhotoPrint Editor 指南
- Professional Print & Layout 指南
- 数码照片打印指南
- IJ Network Device Setup Utility 指南
- Media Configuration Tool 指南

使用 Canon 应用程序软件打印

- ▶ Easy-PhotoPrint Editor 指南
- ▶ Professional Print & Layout 指南
- ▶ 数码照片打印指南
- ▶ IJ Network Device Setup Utility 指南
- ▶ Media Configuration Tool 指南

常见问题



网络

- [无法在网络上找到打印机](#)
- [使用 Wi-Fi 时无法找到打印机](#)
- [网络密钥\(密码\)未知](#)
- [无法打印或连接](#)

有关网络的其他问题，请[单击此处](#)。



打印

- [打印机不打印](#)
- [打印输出空白/模糊不清/颜色不准确或渗出/出现条纹或线条](#)
- [打印输出的结果不理想](#)
- [与错误对应的支持代码列表\(卡纸\)](#)
- [无法打印或连接](#)



安装

- [安装打印机驱动程序失败\(Windows\)](#)



错误

- [出现错误时](#)
- [出现信息\(支持代码\)](#)

解决问题

打印机不工作

- [打印机未开启](#)
- [打印机意外关闭或反复关闭](#)
- [LCD 屏幕中出现错误的语言](#)
- [LCD 屏幕关闭](#)
- [USB 连接问题](#)
- [无法通过 USB 与打印机通讯](#)
- [打印机不打印](#)
- [打印中止](#)
- [无法使用 AirPrint 打印](#)
- [打印机打印慢](#)
- [墨水没有喷出](#)
- [与错误对应的支持代码列表\(卡纸\)](#)
- [打印机不取纸或不进纸/“无纸”错误](#)
- [无法在光盘标签上打印](#)
- [纸张无法从打印机驱动程序中指定的纸张来源送入\(Windows\)](#)
- [打印输出的结果不理想](#)

- ■ [无法从智能手机/平板电脑进行打印](#)

无法正确设置(网络)

- ■ [设置时无法在检查打印机设置屏幕上找到打印机\(Windows\)](#)
- ■ [使用 Wi-Fi 时无法找到打印机](#)
- ■ [使用有线 LAN 时无法找到打印机](#)

- ■ [打印机因某种原因突然停止工作](#)
- ■ [网络密钥\(密码\)未知](#)
- ■ [忘记打印机的管理员密码](#)
- ■ [更换无线路由器或更改路由器设置后无法使用打印机](#)

- ■ [设置过程中计算机上出现信息](#)
- ■ [检查网络信息](#)
- ■ [恢复至出厂默认值](#)

无法正确设置(安装)

- ■ [安装打印机驱动程序失败\(Windows\)](#)
- ■ [在网络环境中更新打印机驱动程序\(Windows\)](#)

出现错误或信息

- ■ [出现错误时](#)
- ■ [出现信息\(支持代码\)](#)

- ■ [与错误对应的支持代码列表](#)
- ■ [兼容 PictBridge\(Wi-Fi\)的设备出现错误信息](#)

操作的问题

- ■ [网络通讯问题](#)
- ■ [打印问题](#)
- ■ [从智能手机/平板电脑进行打印时出现的问题](#)
- ■ [机械问题](#)
- ■ [安装和下载问题](#)
- ■ [错误和信息](#)
- ■ [如果无法解决问题](#)

网络设置和常见问题

以下是有关网络的常见问题。选择正在使用或要使用的连接方法。



无线 LAN

无法找到打印机

- [使用 Wi-Fi 时无法找到打印机](#)
- [设置时无法在检查打印机设置屏幕上找到打印机\(Windows\)](#)
- [在打印机连接屏幕以后无法继续操作](#)
- [设置的打印机查找屏幕中未找到打印机](#)
- [在设置过程中按 IP 地址或主机名称搜索打印机](#)
- [设置 Wi-Fi 时出现错误](#)
- [检测到相同打印机名称](#)
- [重新配置 LAN 连接的方法/重新配置 Wi-Fi 连接的方法](#)

无法打印或连接

- [打印机因某种原因突然停止工作](#)
- [更换无线路由器或更改路由器设置后无法使用打印机](#)
- [无法通过 Wi-Fi 从通讯设备访问互联网](#)
- [使用简易无线连接以连接打印机和无线路由器](#)
- [无法将智能手机/平板电脑连接到无线路由器](#)
- [设置 Wi-Fi 时出现错误](#)
- [通过 LAN 连接到其他计算机/从 USB 更改为 LAN 连接](#)
- [无法打印或连接](#)

LAN 设置提示/更改 LAN 设置

- [网络密钥\(密码\)未知](#)
- [忘记打印机的管理员密码](#)
- [检查网络信息](#)
- [恢复至出厂默认值](#)
- [检查无线路由器 SSID/密钥](#)
- [检查用于智能手机/平板电脑的无线路由器网络名称\(SSID\)](#)
- [私密隔离功能/SSID 隔离功能/网络隔离功能](#)
- [默认网络设置](#)
- [通过 LAN 连接到其他计算机/从 USB 更改为 LAN 连接](#)
- [打印网络设置](#)
- [重新配置 LAN 连接的方法/重新配置 Wi-Fi 连接的方法](#)
- [检查状态代码](#)

从智能手机/平板电脑打印

- [使用简易无线连接以连接打印机和无线路由器](#)
- [无法将智能手机/平板电脑连接到无线路由器](#)
- [检查用于智能手机/平板电脑的无线路由器网络名称\(SSID\)](#)
- [使用智能手机/平板电脑进行设置](#)
- [无法从智能手机/平板电脑进行打印](#)
- [下载 Canon PRINT Inkjet/SELPHY](#)

使用打印机时出现的的问题

- [设置过程中计算机上出现信息](#)
- [打印机打印慢](#)
- [打印机状态监视器上未显示墨水量\(Windows\)](#)

无线直连

无法打印或连接

- [打印机因某种原因突然停止工作](#)
- [无法通过 Wi-Fi 从通讯设备访问互联网](#)
- [无法打印或连接](#)

LAN 设置提示/更改 LAN 设置

- [网络密钥\(密码\)未知](#)
- [忘记打印机的管理员密码](#)
- [检查网络信息](#)
- [恢复至出厂默认值](#)
- [默认网络设置](#)
- [打印网络设置](#)
- [重新配置 LAN 连接的方法/重新配置 Wi-Fi 连接的方法](#)
- [检查状态代码](#)

从智能手机/平板电脑打印

- [无法从智能手机/平板电脑进行打印](#)
- [下载 Canon PRINT Inkjet/SELPHY](#)

使用打印机时出现的的问题

- [设置过程中计算机上出现信息](#)
- [打印机打印慢](#)
- [打印机状态监视器上未显示墨水量\(Windows\)](#)

有线 LAN

无法找到打印机

- [设置的打印机查找屏幕中未找到打印机](#)
- [在设置过程中按 IP 地址或主机名称搜索打印机](#)
- [使用有线 LAN 时无法找到打印机](#)
- [检测到相同打印机名称](#)

无法打印或连接

- [打印机因某种原因突然停止工作](#)
- [无法打印或连接](#)

LAN 设置提示/更改 LAN 设置

- [忘记打印机的管理员密码](#)
- [检查网络信息](#)
- [恢复至出厂默认值](#)
- [默认网络设置](#)
- [通过 LAN 连接到其他计算机/从 USB 更改为 LAN 连接](#)
- [打印网络设置](#)
- [重新配置 LAN 连接的方法/重新配置 Wi-Fi 连接的方法](#)
- [检查状态代码](#)

使用打印机时出现的的问题

- [设置过程中计算机上出现信息](#)
- [打印机打印慢](#)
- [打印机状态监视器上未显示墨水量\(Windows\)](#)

网络通讯问题

- ▶ 无法在网络上找到打印机
- ▶ 网络连接问题
- ▶ 其他网络问题

无法在网络上找到打印机

执行打印机设置时：

- ▶ 设置时无法在检查打印机设置屏幕上找到打印机(Windows)
- ▶ 在打印机连接屏幕以后无法继续操作
- ▶ 设置的打印机查找屏幕中未找到打印机
- ▶ 在设置过程中按 IP 地址或主机名称搜索打印机

使用打印机时：

- ▶ 使用 Wi-Fi 时无法找到打印机
- ▶ 使用有线 LAN 时无法找到打印机

▶▶▶ 注释

- 您无法同时使用无线 LAN 和有线 LAN。

设置时无法在检查打印机设置屏幕上找到打印机(Windows)

如果找不到打印机，并且在[搜索打印机](#)屏幕上通过[自动搜索](#)来搜索打印机后出现[检查打印机设置](#)屏幕，请单击[重新检测](#)，然后在[搜索打印机](#)屏幕上按 IP 地址重新搜索打印机。

如果在按 IP 地址搜索后仍未找到打印机，请检查网络设置。



• 使用 Wi-Fi 时：

- [检查电源状态](#)
- [检查计算机网络连接](#)
- [检查打印机的 Wi-Fi 设置](#)
- [检查 Wi-Fi 环境](#)
- [检查打印机的 IP 地址](#)
- [检查安全软件设置](#)
- [检查无线路由器设置](#)

• 使用有线 LAN 时：

- [检查 LAN 电缆线和路由器](#)
- [检查计算机网络连接](#)
- [检查打印机的有线 LAN 设置](#)
- [检查打印机的 IP 地址](#)
- [检查安全软件设置](#)
- [检查路由器设置](#)



进行 Wi-Fi 设置时无法在检查打印机设置屏幕上找到打印机(Windows)- 检查电源状态



是否已开启打印机和网络设备(路由器等)?

确保打印机已开启。

■ [确认电源已开启](#)

确保网络设备(路由器等)已开启。

如果打印机或网络设备已关闭:

开启打印机或网络设备。

打印机和网络设备开启后,可能需要一些时间才能准备就绪。开启打印机或网络设备后等待一段时间,然后单击**检查打印机设置**屏幕上的**重新检测**以重新检测打印机。

找到打印机时,请按照屏幕上的说明操作继续设置网络通讯。

如果打印机和网络设备已开启:

如果网络设备已开启,请将其关闭,然后重新开启。

如果上述操作未能解决问题:

■ [检查计算机网络连接](#)



进行 Wi-Fi 设置时无法在检查打印机设置屏幕上找到打印机(Windows)- 检查计算机网络连接



是否可以在计算机上查看各种网页？

确保计算机和网络设备(路由器等)已配置以及计算机已连接到网络。

■ 如果无法查看网页：

单击**检查打印机设置**屏幕上的**取消**以取消设置网络通讯。

此后，配置计算机和网络设备。

有关步骤，请参阅计算机和网络设备附带的说明手册，或联系其制造商。

如果在配置计算机和网络设备之后可以查看网页，尝试从开头设置网络通讯。

■ 如果可以查看网页或以上措施未解决问题：

- [检查打印机的 Wi-Fi 设置](#)



进行 Wi-Fi 设置时无法在检查打印机设置屏幕上找到打印机(Windows)- 检查打印机的 Wi-Fi 设置



打印机是否设置为允许无线通讯？

确保 LCD 屏幕上显示  或  图标。



如果未显示图标：

打印机未设置为允许无线通讯。 在打印机上开启无线通讯。

如果显示图标：

- [检查 Wi-Fi 环境](#)



进行 Wi-Fi 设置时无法在检查打印机设置屏幕上找到打印机(Windows)- 检查 Wi-Fi 环境



打印机是否已连接到无线路由器？

使用 LCD 屏幕上的图标确保打印机已连接到无线路由器。



如果显示:

- 检查无线路由器配置。

检查无线路由器设置后，确保未将打印机放置于距离无线路由器过远的位置。

打印机最远可距离无线路由器 50 米(164 英尺)。确保打印机离要使用的无线路由器足够近。

打印机与无线路由器的放置位置之间应没有障碍物。在不同房间或楼层的无线通讯通常不佳。含金属或混凝土的建筑材料可能会阻碍无线通讯。如果由于墙壁而使打印机无法通过 Wi-Fi 与计算机通讯，请将打印机和计算机放置在同一房间。

此外，如果附近有发出与无线路由器相同频率频宽的无线电波的设备(如微波炉)，则可能会造成干扰。将无线路由器放置于尽量远离干扰源的地方。

▶▶▶ 注释

- 虽然多数无线路由器附带天线，但有些无线路由器的天线装在机身内部。

- 检查无线路由器设置。

应使用 2.4GHz 或 5GHz 带宽连接打印机和无线路由器。确保打印机连接到的无线路由器配置为使用 2.4GHz 或 5GHz 带宽。

▶▶▶ 注释

- 某些无线路由器根据其带宽(2.4GHz 或 5GHz)或用途(计算机或游戏机)使用最后一个字母数字字符区分网络名称(SSID)。

要检查打印机连接的无线路由器网络名称(SSID)，可使用打印机的操作面板将其显示或打印出打印机的网络设置信息。

- LCD 屏幕显示。

- [LAN 设置](#)

- 打印网络设置。

- [打印网络设置](#)

有关详细资料，请参见无线路由器附带的说明手册或联系制造商。

采取上述措施后，单击**检查打印机设置**屏幕上的**重新检测**以重新检测打印机。

找到打印机时，请按照屏幕上的说明操作继续设置网络通讯。

如果无法检测到打印机，则打印机未连接到无线路由器。将打印机连接到无线路由器。

将打印机连接到无线路由器后，重新设置网络通讯。

如果显示:

- [检查打印机的 IP 地址](#)



进行 Wi-Fi 设置时无法在检查打印机设置屏幕上找到打印机(Windows)- 检查打印机的 IP 地址



是否正确指定打印机的 IP 地址？

如果未正确指定打印机的 IP 地址，可能无法找到打印机。确认打印机的 IP 地址是否未用于其他设备。

要检查打印机的 IP 地址，请使用打印机的操作面板进行显示，或打印出打印机的网络设置信息。

- LCD 屏幕显示。

- [LAN 设置](#)

- 打印网络设置。

- [打印网络设置](#)

如果未正确指定 IP 地址：

请参见[如果出现错误屏幕：](#)并指定 IP 地址。

如果已正确指定 IP 地址：

- [检查安全软件设置](#)



进行 Wi-Fi 设置时无法在检查打印机设置屏幕上找到打印机(Windows)- 检查安全软件设置



确保防火墙不会干扰设置。

计算机的安全软件或操作系统的防火墙可能限制打印机和计算机之间的通讯。

- **如果出现防火墙信息：**

如果出现 Canon 软件正在尝试访问网络的防火墙警告信息，请将安全软件设置为允许访问。

允许软件访问后，单击**检查打印机设置**屏幕上的**重新检测**以重新检测打印机。

找到打印机时，请按照屏幕上的说明操作继续设置网络通讯。

- **如果没有出现防火墙信息：**

暂时禁用防火墙并重新执行网络通讯设置。

设置完成后，重新启用防火墙。

»» 注释

- 有关操作系统或安全软件的防火墙设置的更多信息，请参见说明手册或联系其制造商。

如果上述操作未能解决问题：

- [检查无线路由器设置](#)



进行 Wi-Fi 设置时无法在检查打印机设置屏幕上找到打印机(Windows)- 检查无线路由器设置



检查无线路由器设置。

检查无线路由器的网络连接设置，如 IP 地址筛选、MAC 地址筛选、加密密钥和 DHCP 功能。

确保指派给打印机与指派给无线路由器的无线电通道相同。

要检查无线路由器的设置，请参见无线路由器附带的说明手册或联系其制造商。

此外，请确保您使用的无线路由器配置为使用 2.4GHz 或 5GHz 带宽。

►► 注释

- 根据无线路由器带宽(2.4GHz 或 5GHz)或用途(计算机或游戏机)的不同，在网络名称(SSID)后使用字母数字字符指定不同的网络名称(SSID)。

检查无线路由器的设置后，单击**检查打印机设置**屏幕上的**重新检测**以重新检测打印机。

找到打印机时，请按照屏幕上的说明操作继续设置网络通讯。



进行有线 LAN 设置时无法在检查打印机设置屏幕上找到打印机 (Windows)-检查 LAN 电缆线和路由器



LAN 电缆线是否已连接，打印机和路由器是否已开启？

确保 LAN 电缆线已连接。

确保打印机已开启。

■ [确认电源已开启](#)

确保路由器已开启。

如果 LAN 电缆线已连接，但打印机或网络设备关闭：

开启打印机或网络设备。

打印机和网络设备开启后，可能需要一些时间才能准备就绪。开启打印机或网络设备后等待一段时间，然后单击[检查打印机设置](#)屏幕上的[重新检测](#)以重新检测打印机。

找到打印机时，请按照屏幕上的说明操作继续设置网络通讯。

如果 LAN 电缆线已连接，且打印机和网络设备已开启：

如果即使打印机和网络设备已开启，但尝试重新检测后仍找不到打印机：

■ [检查计算机网络连接](#)



进行有线 LAN 设置时无法在检查打印机设置屏幕上找到打印机 (Windows)-检查计算机网络连接



是否可以在计算机上查看各种网页？

确保计算机和网络设备(路由器等)已配置以及计算机已连接到网络。

■ 如果无法查看网页：

单击**检查打印机设置**屏幕上的**取消**以取消设置网络通讯。

此后，配置计算机和网络设备。

有关步骤，请参阅计算机和网络设备附带的说明手册，或联系其制造商。

如果在配置计算机和网络设备之后可以查看网页，尝试从开头设置网络通讯。

■ 如果可以查看网页：


- [检查打印机的有线 LAN 设置](#)



进行有线 LAN 设置时无法在检查打印机设置屏幕上找到打印机 (Windows)-检查打印机的有线 LAN 设置



打印机是否设置为允许有线通讯？

确保 LCD 屏幕上显示  图标。



如果未显示图标：

打印机未设置为允许有线通讯。在打印机上开启有线通讯。

开启有线通讯后，重新执行网络通讯设置。

如果显示图标：

- [检查打印机的 IP 地址](#)



进行有线 LAN 设置时无法在检查打印机设置屏幕上找到打印机 (Windows)-检查打印机的 IP 地址



是否正确指定打印机的 IP 地址？

如果未正确指定打印机的 IP 地址，可能无法找到打印机。确认打印机的 IP 地址是否未用于其他设备。

要检查打印机的 IP 地址，请使用打印机的操作面板进行显示，或打印出打印机的网络设置信息。

- LCD 屏幕显示。

- [LAN 设置](#)

- 打印网络设置。

- [打印网络设置](#)

如果未正确指定 IP 地址：

请参见[如果出现错误屏幕：](#)并指定 IP 地址。

如果已正确指定 IP 地址：

- [检查安全软件设置](#)



进行有线 LAN 设置时无法在检查打印机设置屏幕上找到打印机 (Windows)-检查安全软件设置



确保防火墙不会干扰设置。

计算机的安全软件或操作系统的防火墙可能限制打印机和计算机之间的通讯。

- **如果出现防火墙信息：**

如果出现 Canon 软件正在尝试访问网络的防火墙警告信息，请将安全软件设置为允许访问。

允许软件访问后，单击**检查打印机设置**屏幕上的**重新检测**以重新检测打印机。

找到打印机时，请按照屏幕上的说明操作继续设置网络通讯。

- **如果没有出现防火墙信息：**

暂时禁用防火墙并重新执行网络通讯设置。

设置完成后，重新启用防火墙。

»» 注释

- 有关操作系统或安全软件的防火墙设置的更多信息，请参见说明手册或联系其制造商。

如果上述操作未能解决问题：

- [检查无线路由器设置](#)



进行有线 LAN 设置时无法在检查打印机设置屏幕上找到打印机 (Windows)-检查路由器设置



检查路由器设置。

检查路由器网络连接设置，如 IP 地址筛选、MAC 地址筛选和 DHCP 功能。

有关检查路由器设置的更多信息，请参阅路由器附带的说明手册或联系其制造商。

检查路由器设置后，单击**检查打印机设置**屏幕上的**重新检测**以重新检测打印机。

找到打印机时，请按照屏幕上的说明操作继续设置网络通讯。



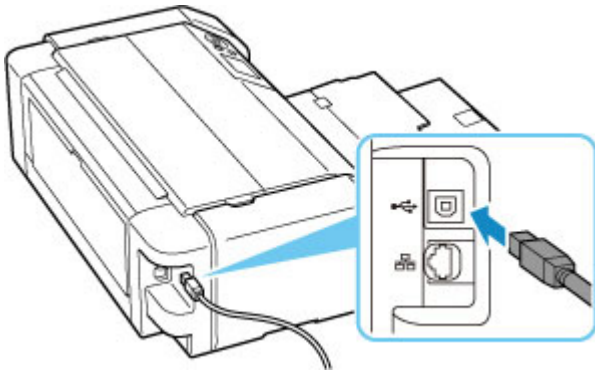
在打印机连接屏幕以后无法继续操作



如果在**打印机连接**屏幕以后无法继续操作，请检查以下内容。

检查 1 确保 USB 电缆线已稳固地插入打印机和计算机中。

如下图所示，使用 USB 电缆线连接打印机和计算机。USB 端口位于打印机后部。




重要事项

- 检查“Type-B”连接器的方向并将其连接到打印机。有关详细资料，请参阅 USB 电缆线附带的说明手册。

检查 2 请按照以下步骤再次连接打印机和计算机。

重要事项

- 对于 macOS，确保锁定图标位于**打印机和扫描仪**屏幕的左下方。

如果显示  图标(已锁定)，请单击图标以解锁。(需要管理员名称和密码才能解锁。)

1. 从打印机和计算机拔出 USB 电缆线，然后再次连接。
2. 确保没有进行任何打印机操作，然后将其关闭。
3. 开启打印机。

检查 3 如果无法解决问题，请按照以下步骤重新安装打印机驱动程序。

1. 完成设置
2. 关闭打印机。
3. 重新启动计算机。
4. 确保没有应用程序软件正在运行。
5. 单击此处并执行设置。



使用 Wi-Fi 时无法找到打印机




检查 1 确保打印机已开启。

否则，请确保打印机插头已稳固地插入，然后按**电源**按钮开启打印机。

打印机正在初始化时，**电源**指示灯会闪烁。请等待至**电源**指示灯停止闪烁并持续亮起。

检查 2 检查 LCD 屏幕上的图标。

如果未显示图标，请依次选择 **LAN 设置 > Wi-Fi > 设置**，然后将**启用/禁用 Wi-Fi** 选择为**启用**。

如果显示图标，请参见检查 3 或之后的检查项，以确认打印机设置是否完成，或要连接的无线路由器的设置是否正确。

检查 3 确保计算机上的打印机设置已完成。

如果未完成，单击此处并执行设置。

注 释

- IJ Network Device Setup Utility 可诊断并修复网络状态。

选择下列链接，下载 IJ Network Device Setup Utility 并安装。

- 使用 IJ Network Device Setup Utility 检查打印机连接状态

有关 IJ Network Device Setup Utility 的启动，请参见以下内容。

- 对于 **Windows**：

- [启动 IJ Network Device Setup Utility](#)

- 对于 **macOS**：

- 启动 IJ Network Device Setup Utility

检查 4 确保打印机与无线路由器网络设置相符。

确保打印机的网络设置[例如，网络名称(SSID)或网络密钥(密码)等]与无线路由器的网络设置相同。

要检查无线路由器的设置，请参阅无线路由器附带的说明手册或联系其制造商。

注 释

- 使用 2.4GHz 或 5GHz 频带连接无线路由器。使为打印机设置的网络名称(SSID)与 2.4GHz 或 5GHz 频带无线路由器的网络名称(SSID)匹配。

要检查为打印机设置的网络名称(SSID)，可使用打印机的操作面板将其显示或打印出打印机的网络设置信息。

- LCD 屏幕显示。

■ LAN 设置

- 打印网络设置。

■ 打印网络设置

▶▶▶ 注释

- IJ Network Device Setup Utility 可诊断并修复网络状态。

选择下列链接，下载 IJ Network Device Setup Utility 并安装。

- 使用 IJ Network Device Setup Utility 检查打印机连接状态

有关 IJ Network Device Setup Utility 的启动，请参见以下内容。

- 对于 Windows:

- [启动 IJ Network Device Setup Utility](#)

- 对于 macOS:

- 启动 IJ Network Device Setup Utility

检查 5 确保未将打印机放置于距离无线路由器过远的位置。

如果打印机与无线路由器之间的距离太远，则无线通讯不良。请将打印机和无线路由器彼此靠近。

▶▶▶ 注释

- 虽然多数无线路由器附带天线，但有些无线路由器的天线装在机身内部。

检查 6 确保有较强的无线信号。监视信号强度，并根据需要移动打印机和无线路由器。

打印机与无线路由器的放置位置之间应没有障碍物。在不同房间或楼层的无线通讯通常不佳。含金属或混凝土的建筑材料可能会阻碍无线通讯。如果由于墙壁而使打印机无法通过 Wi-Fi 与计算机通讯，请将打印机和计算机放在同一房间。

此外，如果附近有发出与无线路由器相同频率频宽的无线电波的设备(如微波炉)，则可能会造成干扰。将无线路由器放置于尽量远离干扰源的地方。

检查 LCD 屏幕上的信号强度。

■ LCD 屏幕和操作面板

▶▶▶ 注释

- IJ Network Device Setup Utility 可诊断并修复网络状态。

选择下列链接，下载 IJ Network Device Setup Utility 并安装。

- 使用 IJ Network Device Setup Utility 检查打印机连接状态

有关 IJ Network Device Setup Utility 的启动，请参见以下内容。

- 对于 Windows:

- [启动 IJ Network Device Setup Utility](#)

- 对于 macOS:

- 启动 IJ Network Device Setup Utility

检查 7 确保计算机已连接到无线路由器。

有关如何检查计算机设置或连接状态的详细资料，请参见计算机说明手册或与其制造商联系。

注釋

- 如果使用智能手机或平板电脑，请确保设备上启用了 Wi-Fi。

检查 8 确保在打印机属性对话框的端口选项卡中已选择启用双向支持。(Windows)

否则，请选择该项，以启用双向支持。

检查 9 确保安全软件的防火墙已关闭。

如果开启了安全软件的防火墙，则可能显示 Canon 软件正在尝试访问网络的警告信息。如果出现警告信息，请将安全性软件设置为始终允许访问。

如果正在使用任何切换网络环境的程序，请检查其设置。某些程序默认使用防火墙。

检查 10 如果打印机通过 LAN 将连接到 AirPort 基站，请确保为网络名称(SSID)使用字母数字字符。(macOS)

如果问题未解决，单击此处并重新执行设置。



设置的打印机查找屏幕中未找到打印机



使用当前设置方法无法检测到打印机。

Canon series

1 2 3 4

选择打印机

请从列表中选择要设置的打印机。如果多个打印机具有相同的产品名称，请检查序列号。

IPv4 设备 IPv6 设备

产品名称	序列号(后 5 位)	IP 地址	MAC 地址

< >

检查序列号

如果查找的打印机不在列表中，请单击“未找到打印机”。

未找到打印机

上一步 下一步

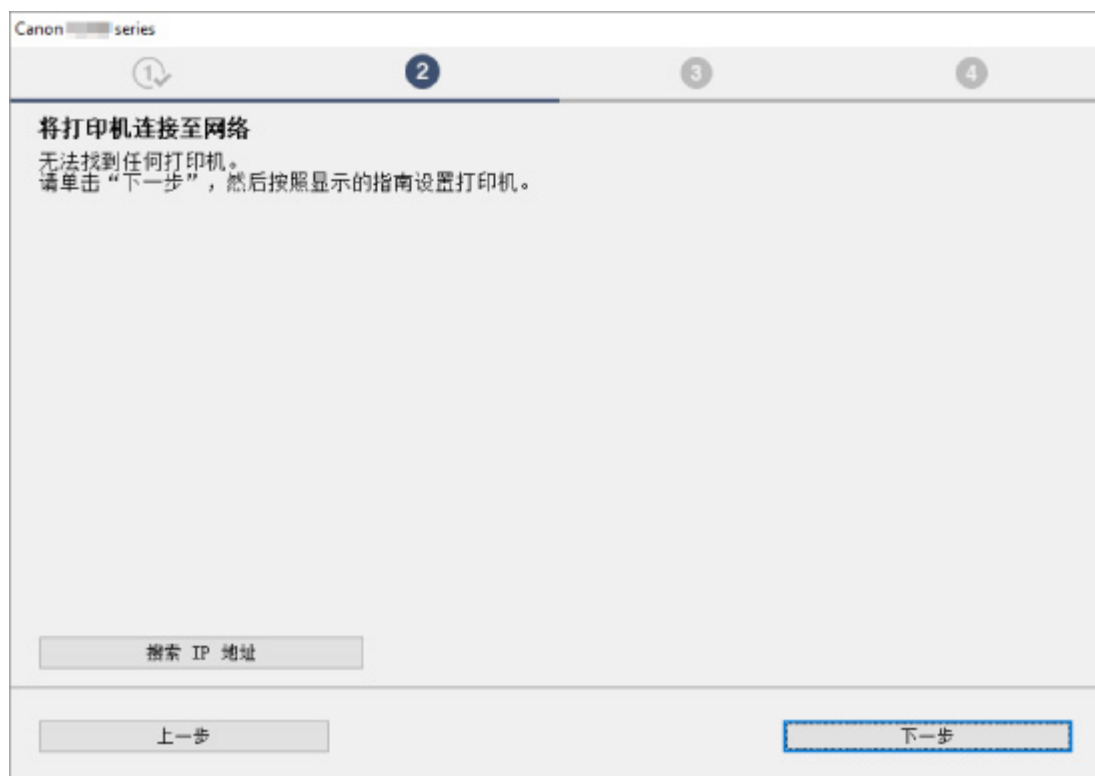
单击**未找到打印机**，并按照屏幕上的说明执行设置。

注 释

- 可以按 IP 地址或主机名称搜索打印机。
 - [在设置过程中按 IP 地址或主机名称搜索打印机](#)

在设置过程中按 IP 地址或主机名称搜索打印机

如果无法在打印机检测屏幕上找到打印机，将出现将打印机连接至网络屏幕。



以上使用 Windows 屏幕为例进行说明。

单击**搜索 IP 地址**可以通过指定 IP 地址或打印机的主机名称搜索打印机。

1. 检查打印机的 IP 地址或主机名称。

要检查打印机的 IP 地址或主机名称，可使用打印机的操作面板将其显示，或打印出打印机的网络设置信息。

- LCD 屏幕显示。

■ [LAN 设置](#)

- 打印网络设置。

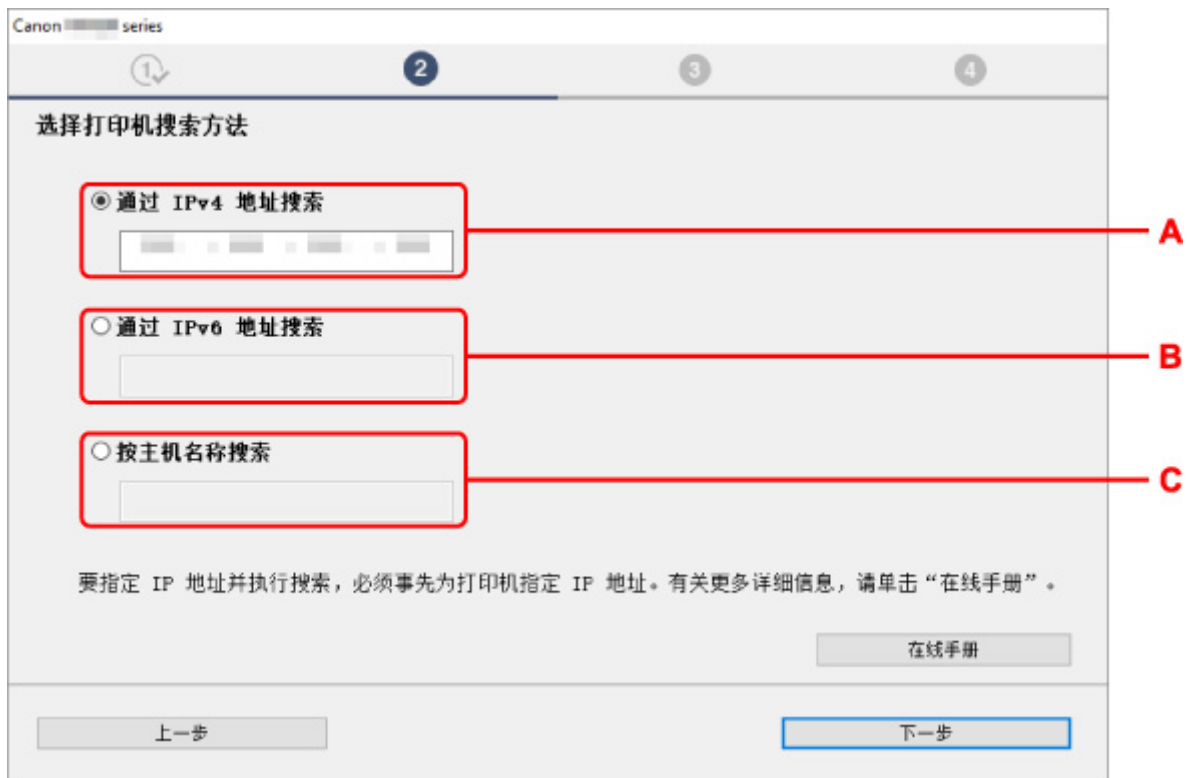
■ [打印网络设置](#)

▶▶▶ 注释

- 如果在办公室使用打印机，请咨询网络管理员。

2. 指定搜索方法。

选择以下任一方法。



以上使用 Windows 屏幕为例进行说明。

A: 通过 IPv4 地址搜索

选择通过 IPv4 地址搜索打印机。

B: 通过 IPv6 地址搜索

选择通过 IPv6 地址搜索打印机。

C: 按主机名称搜索

选择按主机名称搜索打印机。主机名称称为 LLMNR 主机名称或 Bonjour 服务名称。

3. 输入 IP 地址或主机名称，然后单击下一步。

打印机搜索开始。

如果出现错误屏幕：

按照屏幕上的说明解决错误。

如果输入的 IP 地址已用于其他设备，请按照以下步骤指定打印机的 IP 地址。

1. 在主页屏幕上选择 LAN 设置，然后按 OK 按钮。

■ [LCD 屏幕和操作面板](#)

2. 选择 Wi-Fi，然后按 OK 按钮。

3. 选择设置，然后按 OK 按钮。

4. 选择高级设置，然后按 OK 按钮。

5. 选择 **TCP/IP 设置**，然后按 **OK** 按钮。

- 如果指定 IPv4 地址：

1. 选择 **IPv4**。
2. 在显示的屏幕上选择**是**。
3. 选择 **IP 地址**。

4. 选择**手动设置**。

选择**自动设置**可自动指定 IP 地址。

5. 输入 IP 地址。

6. 选择 **OK**。

7. 输入子网掩码。

8. 选择 **OK**。

9. 输入默认网关。

10. 选择 **OK**。

已指定 IPv4 地址。

- 如果指定 IPv6 地址：

1. 选择 **IPv6**。
2. 在显示的屏幕上选择**是**。
3. 选择**启用/禁用 IPv6**。

4. 选择**启用**。

已指定 IPv6 地址。

重要事项

- 如果计算机上启用了防火墙，可能无法检测到其他子网上的打印机。请禁用防火墙。

如果防火墙干扰打印机搜索：

- 如果出现防火墙信息：

如果出现 Canon 软件正在尝试访问网络的防火墙警告信息，请将安全软件设置为允许访问。

允许软件访问后，指定 IP 地址或主机名称，然后重新搜索打印机。

找到打印机时，请按照屏幕上的说明操作继续设置网络通讯。

- **如果没有出现防火墙信息：**

暂时禁用防火墙并指定 IP 地址或主机名称以重新搜索打印机。

设置完成后，重新启用防火墙。

»» 注释


- 有关操作系统或安全软件的防火墙设置的更多信息，请参见说明手册或联系其制造商。



使用有线 LAN 时无法找到打印机



检查 1 确保打印机已开启。

检查 2  图标是否在 LCD 屏幕上显示？

如果图标未显示，请从设置菜单选择 **LAN 设置 > 有线 LAN > 设置 > 启用/禁用有线 LAN**，然后选择**启用**。

检查 3 确保 LAN 电缆线已正确连接。

确保打印机已通过 LAN 电缆线连接到路由器。如果 LAN 电缆线松动，请将其正确连接。

如果 LAN 电缆线连接到了路由器的 WAN 一侧，请将其连接到路由器的 LAN 一侧。

网络连接问题

- ▶ 打印机因某种原因突然停止工作
- ▶ 网络密钥(密码)未知
- ▶ 更换无线路由器或更改路由器设置后无法使用打印机
- ▶ 忘记打印机的管理员密码
- ▶ 打印机打印慢
- ▶ 无法通过 Wi-Fi 从通讯设备访问互联网
- ▶ 打印机状态监视器上未显示墨水量(Windows)
- ▶ 无法打印或连接

打印机因某种原因突然停止工作

- [网络配置更改后无法连接打印机](#)
- [无法通过无线 LAN\(Wi-Fi\)连接打印机](#)
- [无法通过无线直连连接打印机](#)
- [无法通过有线 LAN 连接打印机](#)
- [无法通过网络打印](#)

网络配置更改后无法连接打印机

计算机获取 IP 地址可能会花费一些时间，或需要重新启动计算机。

确保计算机获得有效的 IP 地址，然后再次尝试查找打印机。

无法通过无线 LAN(Wi-Fi)连接打印机

检查 1 检查打印机、网络设备(如无线路由器)和智能手机/平板电脑的电源状态。

- 开启打印机或设备。
- 如果电源已开启，请重新启动。
- 可能需要解决无线路由器问题(如密钥的更新间隔、DHCP 更新间隔问题、节能模式等)或更新无线路由器固件。



有关详细资料，请联系无线路由器的制造商。

检查 2 是否可以在计算机上查看各种网页？

确保计算机已正确连接到无线路由器。

有关检查计算机设置或连接状态的更多信息，请参见计算机附带的说明手册或联系制造商。

检查 3 打印机是否已连接到无线路由器？

使用 LCD 屏幕上的  图标检查打印机和无线路由器之间的连接状态。如果未显示  图标，则 Wi-Fi 处于禁用状态。在打印机上开启无线通讯。

检查 4 确保打印机与无线路由器网络设置相符。

确保打印机的网络设置[例如，网络名称(SSID)或网络密钥(密码)等]与无线路由器的网络设置相同。

要检查无线路由器的设置，请参阅无线路由器附带的说明手册或联系其制造商。

注释

- 使用 2.4GHz 或 5GHz 频带连接无线路由器。使为打印机设置的网络名称(SSID)与 2.4GHz 或 5GHz 频带无线路由器的网络名称(SSID)匹配。

要检查打印机的当前网络设置，可使用打印机的操作面板将其显示或打印出打印机的网络设置信息。

- LCD 屏幕显示。

- [LAN 设置](#)

- 打印网络设置。

- [打印网络设置](#)

»» 注释

- IJ Network Device Setup Utility 可诊断并修复网络状态。

选择下列链接，下载 IJ Network Device Setup Utility 并安装。

- 使用 IJ Network Device Setup Utility 检查打印机连接状态

有关 IJ Network Device Setup Utility 的启动，请参见以下内容。

- 对于 **Windows**：

- [启动 IJ Network Device Setup Utility](#)

- 对于 **macOS**：

- 启动 IJ Network Device Setup Utility

检查 5 确保未将打印机放置于距离无线路由器过远的位置。

如果打印机与无线路由器之间的距离太远，则无线通讯不良。请将打印机和无线路由器彼此靠近。

»» 注释

- 虽然多数无线路由器附带天线，但有些无线路由器的天线装在机身内部。

检查 6 确保有较强的无线信号。监视信号状态，并根据需要移动打印机和无线路由器。

打印机与无线路由器的放置位置之间应没有障碍物。在不同房间或楼层的无线通讯通常不佳。含金属或混凝土的建筑材料可能会阻碍无线通讯。如果由于墙壁而使打印机无法通过 Wi-Fi 与计算机通讯，请将打印机和计算机放置在同一房间。

此外，如果附近有发出与无线路由器相同频率频宽的无线电波的设备(如微波炉)，则可能会造成干扰。将无线路由器放置于尽量远离干扰源的地方。

检查 LCD 屏幕上的信号强度。

- [LCD 屏幕和操作面板](#)

»» 注释

- IJ Network Device Setup Utility 可诊断并修复网络状态。

选择下列链接，下载 IJ Network Device Setup Utility 并安装。

- 使用 IJ Network Device Setup Utility 检查打印机连接状态

有关 IJ Network Device Setup Utility 的启动，请参见以下内容。

- 对于 **Windows**：

- [启动 IJ Network Device Setup Utility](#)

• 对于 macOS:

- 启动 IJ Network Device Setup Utility

检查 7 确保用于计算机的 Wi-Fi 通道数量。

无线路由器使用的 Wi-Fi 通道号码需要与计算机无线路由器的通道号码相同。通常设置为您可以使用所有 Wi-Fi 通道。但是，如果您正在使用的通道受限制，则 Wi-Fi 通道不匹配。

请参见计算机附带的说明手册，检查计算机可使用的 Wi-Fi 通道号码。

检查 8 确保无线路由器上设置的通道是检查 7 中确认的可用通道。

否则，请更改无线路由器上的通道设置。

检查 9 确保安全软件的防火墙已关闭。

如果开启了安全软件的防火墙，则可能显示 Canon 软件正在尝试访问网络的警告信息。如果出现警告信息，请将安全性软件设置为始终允许访问。

如果正在使用任何切换网络环境的程序，请检查其设置。某些程序默认使用防火墙。

检查 10 如果打印机通过 LAN 将连接到 AirPort 基站，请确保为网络名称(SSID)使用字母数字字符。(macOS)

如果问题未解决，单击此处并重新执行设置。

• 定位:


确保在打印机与无线路由器之间没有障碍物。

无法通过无线直连接打印机

检查 1 检查打印机的电源状态。

■ [电源供应](#)

如果电源已开启，请重新启动。

检查 2 LCD 屏幕上是否显示  图标？

否则，无线直连已禁用。开启无线直连。

检查 3 检查设备(智能手机/平板电脑)的设置。

确保设备上已启用 Wi-Fi。

有关详细资料，请参阅设备的说明手册。

检查 4 确保将打印机选择为设备(例如智能手机或平板电脑)的连接目标。

选择为打印机指定的无线直连网络名称(SSID)作为设备的连接目标。

检查设备上的目标位置。

有关详细资料，请参阅设备说明手册或访问制造商网站。

要检查为打印机指定的无线直连网络名称(SSID)，可使用打印机的操作面板将其显示或打印出打印机的网络设置信息。

- LCD 屏幕显示。

■ [LAN 设置](#)

- 打印网络设置。

■ [打印网络设置](#)

检查 5 是否已输入为无线直连指定的正确密码？

要检查为打印机指定的密码，可使用打印机的操作面板显示密码或打印出打印机的网络设置信息。

- LCD 屏幕显示。

■ [LAN 设置](#)

- 打印网络设置。

■ [打印网络设置](#)

检查 6 确保未将打印机放置于距离设备过远的位置。

如果打印机与设备之间的距离过远，则无线通讯变差。请将打印机和设备彼此靠近。

检查 7 确保已连接 5 台设备。

无线直连不允许连接超过 5 台设备。

无法通过有线 LAN 连接打印机

A

检查 1 确保打印机已开启。

检查 2 确保 LAN 电缆线已正确连接。

确保打印机已通过 LAN 电缆线连接到路由器。如果 LAN 电缆线松动，请将其正确连接。

如果 LAN 电缆线连接到了路由器的 WAN 一侧，请将其连接到路由器的 LAN 一侧。

如果问题未解决，请从网页重新执行设置。

对于 Windows，可以使用安装光盘重新执行设置。

无法通过网络打印

检查 1 确保计算机已连接到无线路由器。

有关如何检查计算机设置或连接状态的详细资料，请参见计算机说明手册或与其制造商联系。

检查 2 如果打印机驱动程序尚未安装，请进行安装。(Windows)

单击此处并安装打印机驱动程序。

检查 3 确保无线路由器未限制计算机访问。

有关连接和设置无线路由器的更多信息，请参见无线路由器说明手册或联系其制造商。

注释

- 要检查计算机的 MAC 地址或 IP 地址，请参见[检查计算机 IP 地址或 MAC 地址](#)。

网络密钥(密码)未知

- [为无线路由器设置的 WPA/WPA2 或 WEP 密钥未知，无法连接](#)
- [设置加密密钥](#)

Q 为无线路由器设置的 WPA/WPA2 或 WEP 密钥未知，无法连接

A

有关设置无线路由器的更多信息，请参见无线路由器附带的说明手册或联系其制造商。确保计算机可以与无线路由器进行通讯。

»» 注释

- IJ Network Device Setup Utility 可诊断并修复网络状态。
选择下列链接，下载 IJ Network Device Setup Utility 并安装。
 - 使用 IJ Network Device Setup Utility 检查打印机连接状态有关 IJ Network Device Setup Utility 的启动，请参见以下内容。
 - 对于 Windows：
 - [启动 IJ Network Device Setup Utility](#)
 - 对于 macOS：
 - 启动 IJ Network Device Setup Utility

Q 设置加密密钥

A

有关设置无线路由器的更多信息，请参见无线路由器附带的说明手册或联系其制造商。确保计算机可以与无线路由器进行通讯。

»» 注释

- IJ Network Device Setup Utility 可诊断并修复网络状态。
选择下列链接，下载 IJ Network Device Setup Utility 并安装。
 - 使用 IJ Network Device Setup Utility 检查打印机连接状态有关 IJ Network Device Setup Utility 的启动，请参见以下内容。
 - 对于 Windows：
 - [启动 IJ Network Device Setup Utility](#)
 - 对于 macOS：
 - 启动 IJ Network Device Setup Utility

为安全起见，建议选择 WPA、WPA2 或 WPA/WPA2。如果无线路由器与 WPA/WPA2 兼容，也可以使用 WPA2 或 WPA。

- **使用 WPA/WPA2(Windows)**

无线路由器、打印机以及计算机上的验证方法、Wi-Fi 密码和动态加密类型都必须一致。

输入在无线路由器上配置的 Wi-Fi 密码。

自动选择 TKIP(基本加密)或 AES(安全加密)作为动态加密方法。

有关详细资料，请参见[如果出现 WPA/WPA2 详细信息屏幕](#)。

»» 注释

- 打印机支持 WPA/WPA2-PSK(WPA/WPA2-个人)和 WPA2-PSK(WPA2-个人)。

- **使用 WEP**

无线路由器、打印机以及计算机上的 Wi-Fi 密码长度和格式、验证方法都必须一致。

要与使用自动产生密码的无线路由器通讯，必须将打印机设置为使用无线路由器产生的密码。

- **对于 Windows:**

在 IJ Network Device Setup Utility 中的**网络设置(Wi-Fi)**屏幕上单击**搜索...**后，出现 **WEP 详细信息** 屏幕时，请按照屏幕上的说明设置密码长度、格式和内容。

有关详细资料，请参见[如果出现 WEP 详细信息屏幕](#)。

»» 注释

- 如果通过 LAN 将打印机连接到 AirPort 基站：

如果通过 LAN 将打印机连接到 AirPort 基站，请检查 **AirPort 实用工具**的**无线安全性**中的设置。

- 如果在 AirPort 基站中选择了 **WEP - 40 位**作为密码长度，请选择 **64 位**。
- 为要使用的密码选择 **1**。否则，计算机将无法通过无线路由器与打印机通讯。



更换无线路由器或更改路由器设置后无法使用打印机



更换无线路由器时，请根据所更换的无线路由器重新执行打印机的网络设置。
单击[此处](#)并执行设置。

注释

- IJ Network Device Setup Utility 可诊断并修复网络状态。
选择下列链接，下载 IJ Network Device Setup Utility 并安装。
 - 使用 IJ Network Device Setup Utility 检查打印机连接状态有关 IJ Network Device Setup Utility 的启动，请参见以下内容。
 - 对于 Windows：
 - [启动 IJ Network Device Setup Utility](#)
 - 对于 macOS：
 - [启动 IJ Network Device Setup Utility](#)

如果此操作未能解决问题，请参见以下内容。

- [在无线路由器上启用 MAC/IP 地址筛选或加密密钥后无法与打印机通讯](#)
- [启用加密时，在无线路由器上更改加密类型后无法与打印机通讯](#)



在无线路由器上启用 MAC/IP 地址筛选或加密密钥后无法与打印机通讯



检查 1 检查无线路由器设置。

要检查无线路由器设置，请参见无线路由器附带的说明手册或联系其制造商。请确保在此设置下计算机和无线路由器之间可以相互通讯。

检查 2 如果在无线路由器上筛选 MAC 地址或 IP 地址，请确认计算机、网络设备和打印机的 MAC 地址或 IP 地址是否已注册。

检查 3 如果使用 WPA/WPA2 密钥或密码，请确保计算机、网络设备和打印机的加密密钥与为无线路由器设置的密钥匹配。

无线路由器、打印机以及计算机上的 Wi-Fi 密码长度和格式、验证方法都必须一致。

有关详细资料，请参见[设置加密密钥](#)。

启用加密时，在无线路由器上更改加密类型后无法与打印机通讯

如果更改打印机的加密类型后打印机无法与计算机通讯，请确保计算机和无线路由器的加密类型与为打印机设置的加密类型相符。

- [在无线路由器上启用 MAC/IP 地址筛选或加密密钥后无法与打印机通讯](#)



忘记打印机的管理员密码



初始化打印机设置。

在主页屏幕上，选择**各种设置** > **设备设置** > **重置设置** > **全部重置**，然后选择**是**，恢复为默认管理员密码。

■ [重置设置](#)

初始化打印机设置后，重新设置。

单击[此处](#)并重新执行设置。



打印机打印慢



检查 1 打印机可能正在打印来自另一台计算机的较大作业。

检查 2 确保未将打印机放置于距离无线路由器过远的位置。

打印机与无线路由器的放置位置之间应没有障碍物。在不同房间或楼层的无线通讯通常不佳。含金属或混凝土的建筑材料可能会阻碍无线通讯。如果由于墙壁而使打印机无法通过 Wi-Fi 与计算机通讯，请将打印机和计算机放置在同一房间。

此外，如果附近有发出与无线路由器相同频率频宽的无线电波的设备(如微波炉)，则可能会造成干扰。将无线路由器放置于尽量远离干扰源的地方。

检查 3 确保有较强的无线信号。监视信号状态，并根据需要移动打印机和无线路由器。

检查 LCD 屏幕上的信号强度。

■ [LCD 屏幕和操作面板](#)

注 释

- IJ Network Device Setup Utility 可诊断并修复网络状态。

选择下列链接，下载 IJ Network Device Setup Utility 并安装。

■ 使用 IJ Network Device Setup Utility 检查打印机连接状态

有关 IJ Network Device Setup Utility 的启动，请参见以下内容。

- 对于 Windows:

■ [启动 IJ Network Device Setup Utility](#)

- 对于 macOS:

■ 启动 IJ Network Device Setup Utility



无法通过 Wi-Fi 从通讯设备访问互联网



检查 1 是否使用无线直连将设备连接到打印机？

如果使用无线直连将设备连接到打印机，将无法访问互联网。请关闭无线直连并将设备连接到无线路由器。有关详细资料，请参见设备和无线路由器附带的说明手册。

检查 2 无线路由器是否开启？

检查 3 无线路由器是否配置正确？

有关检查无线路由器设置的更多信息，请参见无线路由器附带的说明手册或联系其制造商。

检查 4 检查设备和无线路由器位置。

检查设备与无线路由器之间的距离，并检查是否存在障碍物或附近是否有无线电波干扰源。



打印机状态监视器上未显示墨水量(Windows)



通过双向通讯使用打印机驱动程序。

在**打印机属性**对话框的**端口**选项卡中选择**启用双向支持**。

- [如何打开打印机驱动程序设置窗口](#)



无法打印或连接



如果下列任一情况适用，请重新执行打印机设置。

- 如果更换了计算机或无线路由器
- 如果更改了无线路由器设置
- 如果更改了打印机连接方法(Wi-Fi/有线 LAN/USB)
- 如果忘记了为打印机设置的管理员密码

如果忘记密码，请在主页屏幕中选择**各种设置 > 设备设置 > 重置设置 > 全部重置**以将密码恢复为默认值，然后重新进行打印机设置。

■ [重置设置](#)

有关设置步骤的详细资料，请访问[此处](#)。

如果上述情况均不适用，请参见[打印机因某种原因突然停止工作](#)。

其他网络问题

- ▶ 检查网络信息
- ▶ 恢复至出厂默认值
- ▶ 设置过程中计算机上出现信息
- ▶ 使用简易无线连接以连接打印机和无线路由器
- ▶ 无法将智能手机/平板电脑连接到无线路由器
- ▶ 下载 Canon PRINT Inkjet/SELPHY
- ▶ 检查无线路由器 SSID/密钥
- ▶ 检查用于智能手机/平板电脑的无线路由器网络名称(SSID)
- ▶ 私密隔离功能/SSID 隔离功能/网络隔离功能
- ▶ 使用智能手机/平板电脑进行设置
- ▶ 设置 Wi-Fi 时出现错误
- ▶ 检查状态代码

检查网络信息

- [检查打印机 IP 地址或 MAC 地址](#)
- [检查计算机 IP 地址或 MAC 地址](#)
- [检查计算机、打印机和无线路由器之间的通讯](#)
- [检查网络设置信息](#)

检查打印机 IP 地址或 MAC 地址

A

要检查打印机的 IP 地址或 MAC 地址，可使用打印机的操作面板将其显示或打印出打印机的网络设置信息。

- LCD 屏幕显示。

- [LAN 设置](#)

- 打印网络设置。

- [打印网络设置](#)

对于 Windows，可以在计算机屏幕上检查网络设置信息。

- [Canon IJ Network Device Setup Utility 屏幕](#)

检查计算机 IP 地址或 MAC 地址

A

要检查计算机的 IP 地址或 MAC 地址，请按照以下说明操作。

- 对于 Windows：

1. 从开始中选择**命令提示符**。

2. 输入“ipconfig/all”并按**回车**。

将出现计算机的 IP 地址和 MAC 地址。如果计算机未连接到网络，则不会显示 IP 地址。

- 对于 macOS：

1. 从 Apple 菜单选择**系统偏好设置**，然后单击**网络**。

2. 确保已选择计算机使用的网络接口，然后单击**高级**。

如果正在计算机上使用 Wi-Fi，请确保将 **Wi-Fi** 选择为网络接口。如果正在使用有线 LAN，请确保已选择**以太网**。

3. 单击 **TCP/IP** 检查 IP 地址，或单击**硬件检查** MAC 地址。

检查计算机、打印机和无线路由器之间的通讯

A

执行 ping 测试以检查是否发生通讯。

- 对于 **Windows**：

1. 从**开始**中选择**命令提示符**。

2. 键入 ping 命令并按**回车**。

ping 命令如下：ping XXX.XXX.XXX.XXX

“XXX.XXX.XXX.XXX”是目标设备的 IP 地址。

如果发生通讯，会出现如下信息。

来自 XXX.XXX.XXX.XXX 的回复: 字节=32 时间=10ms TTL=255

如果出现**请求超时**，则未发生通讯。

- 对于 **macOS**：

1. 如下所示启动**网络实用工具**。

在 Finder 的**转到**菜单上选择**电脑**，双击 **Macintosh HD > 系统 > 资源库 > CoreServices > 应用程序 > 网络实用工具**。

2. 单击 **Ping**。

3. 确保已选择**仅发送 XX 个 ping**(XX 为数字)。

4. 在**输入要 ping 的网络地址**中输入目标无线路由器或打印机的 IP 地址。

5. 单击 **Ping**。

“XXX.XXX.XXX.XXX”是目标设备的 IP 地址。

出现如下信息。

64 bytes from XXX.XXX.XXX.XXX: icmp_seq=0 ttl=64 time=3.394 ms

64 bytes from XXX.XXX.XXX.XXX: icmp_seq=1 ttl=64 time=1.786 ms

64 bytes from XXX.XXX.XXX.XXX: icmp_seq=2 ttl=64 time=1.739 ms

--- XXX.XXX.XXX.XXX ping statistics ---

3 packets transmitted, 3 packets received, 0% packet loss

如果出现“100% packet loss”，则表示未发生通讯。否则，计算机与目标设备通讯。

检查网络设置信息

要检查打印机的网络设置信息，请打印出网络设置信息或使用操作面板显示。

- LCD 屏幕显示。
 - [LAN 设置](#)
- 打印网络设置。
 - [打印网络设置](#)



恢复至出厂默认值



重要事项

- 初始化会删除打印机上的所有网络设置，导致无法通过网络从计算机进行打印操作。要在恢复至出厂默认值后再次通过网络使用打印机，请单击此处并重新执行设置。

使用打印机的操作面板初始化网络设置。

■ [重置设置](#)

设置过程中计算机上出现信息

- [设置过程中出现输入密码的屏幕\(Windows\)](#)
- [选择无线路由器时出现加密设置屏幕\(Windows\)](#)
- [出现“已连接打印机到非加密无线网络”](#)

Q 设置过程中出现输入密码的屏幕(Windows)

A

如果打印机已设置为通过网络使用并已设置了管理员密码，则会出现要求输入密码的屏幕。输入与为打印机指定的相同的密码。

注 释

- 购买时，已为打印机设置管理员密码。

有关详细资料：

- [管理员密码](#)

为了提高安全性，建议更改管理员密码。

- [更改管理员密码](#)

Q 选择无线路由器时出现加密设置屏幕(Windows)

A

如果选择的无线路由器已经加密，自动出现此屏幕。设置与无线路由器中设置相同的加密设置。有关加密设置的更多信息，请参见[执行/更改 Wi-Fi 设置](#)。

Q 出现“已连接打印机到非加密无线网络”

A

未在无线路由器上配置安全性。打印机仍可使用，所以继续设置步骤并将其完成。

重要事项

- 如果连接到一个没有安全性措施保护的网路，则会有将数据(如个人信息)泄漏给第三方的风险。



使用简易无线连接以连接打印机和无线路由器



使用“简易无线连接”可以直接通过设备(如智能手机或平板电脑)将无线路由器信息注册至打印机。开启打印机和设备，执行连接设置。

有关详细资料：

- 简易无线连接

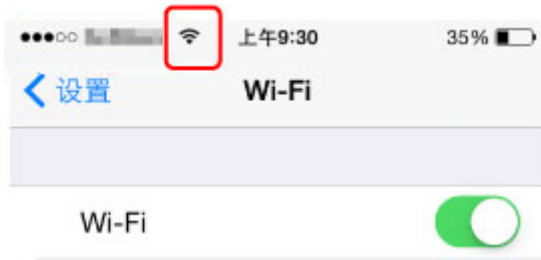


无法将智能手机/平板电脑连接到无线路由器



检查 智能手机/平板电脑上是否显示 Wi-Fi 天线？

• 示例(iOS):



• 示例(Android):



如果未显示天线，设备的无线功能则已禁用。在设备上启用 Wi-Fi 并将其连接到无线路由器。有关步骤的更多内容，请参阅设备说明手册或访问制造商网站。

注 释

- 预先在计算机上完成无线打印机连接设置后，将更轻松地在智能手机/平板电脑上执行设置。



下载 Canon PRINT Inkjet/SELPHY



从 App Store 和 Google Play 下载 Canon PRINT Inkjet/SELPHY。

- 对于 iOS
- 对于 Android

如果使用 iOS 设备，则可以使用 AirPrint。

- 从 iOS 设备打印(AirPrint)

如果使用 Android 设备，也可以使用 Canon Print Service(打印插件)。

- Canon Print Service



检查无线路由器 SSID/密钥



根据制造商的不同，无线路由器 SSID/密钥写在不同的位置。

有关详细资料，请参阅无线路由器说明手册或访问制造商网站。

►► 注释

- 某些无线路由器根据其带宽(2.4GHz 或 5GHz)或用途(计算机或游戏机)使用最后一个字母数字字符区分网络名称(SSID)。

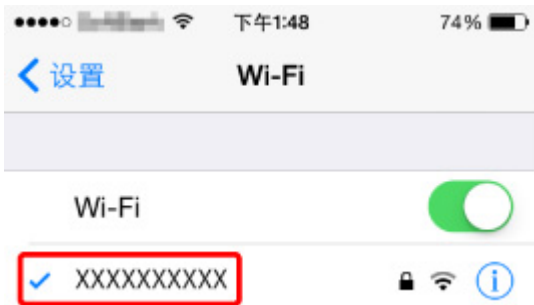


检查用于智能手机/平板电脑的无线路由器网络名称(SSID)

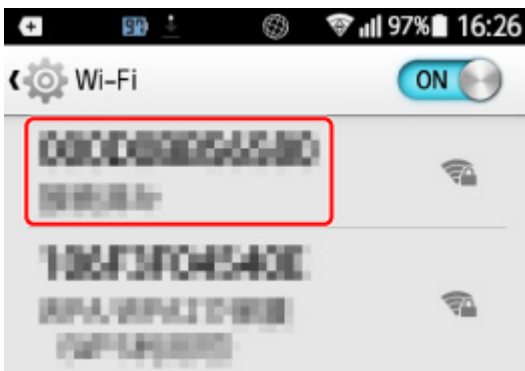


从智能手机/平板电脑的设置屏幕查看。

- 示例(iOS):



- 示例(Android):



有关如何显示设置屏幕的详细资料，请参阅设备说明手册或访问制造商网站。

重要事项

- 对打印机和智能手机/平板电脑执行设置，使其可以连接到相同的无线路由器。



私密隔离功能/SSID 隔离功能/网络隔离功能



如果无线路由器上启用了私密隔离功能、SSID 隔离功能或网络隔离功能，则无法执行设置。执行设置前，请禁用上述功能。有关步骤，请参阅无线路由器说明手册或访问制造商网站。



使用智能手机/平板电脑进行设置



请参阅入门指南或访问此处以执行设置。

»» 注释

- 如果您有计算机，则可以更轻松地在计算机上设置打印机。



设置 Wi-Fi 时出现错误



检查 1 检查无线路由器位置

确保未将打印机放置于距离无线路由器过远的位置。

打印机最远可距离无线路由器 50 米(164 英尺)。 确保打印机离要使用的无线路由器足够近。

打印机与无线路由器的放置位置之间应没有障碍物。 在不同房间或楼层的无线通讯通常不佳。 含金属或混凝土的建筑材料可能会阻碍无线通讯。 如果由于墙壁而使打印机无法通过 Wi-Fi 与计算机通讯, 请将打印机和计算机放置在同一房间。

此外, 如果附近有发出与无线路由器相同频率频宽的无线电波的设备(如微波炉), 则可能会造成干扰。 将无线路由器放置于尽量远离干扰源的地方。

注 释

- 虽然多数无线路由器附带天线, 但有些无线路由器的天线装在机身内部。

检查 2 检查无线路由器设置

应使用 2.4GHz 或 5GHz 带宽连接打印机和无线路由器。 确保打印机连接到的无线路由器配置为使用 2.4GHz 或 5GHz 带宽。

注 释

- 某些无线路由器根据其带宽(2.4GHz 或 5GHz)或用途(计算机或游戏机)使用最后一个字母数字字符区分网络名称(SSID)。

要检查打印机连接的无线路由器网络名称(SSID), 可使用打印机的操作面板将其显示或打印出打印机的网络设置信息。

- LCD 屏幕显示。

■ LAN 设置

- 打印网络设置。

■ 打印网络设置

有关详细资料, 请参见无线路由器附带的说明手册或联系制造商。

如果使用加密密钥, 请为正在使用的网络名称(SSID)指定该密钥。

有关详细资料, 请参见[设置加密密钥](#)。

注 释

- 按无线路由器上的按钮, 可以连接打印机和无线路由器。



■ WPS 连接

• 有关手动设置：

■ WPS(PIN 编码)连接

如果以上措施未能解决问题，请确保无线路由器的 DHCP 已启用。



检查状态代码



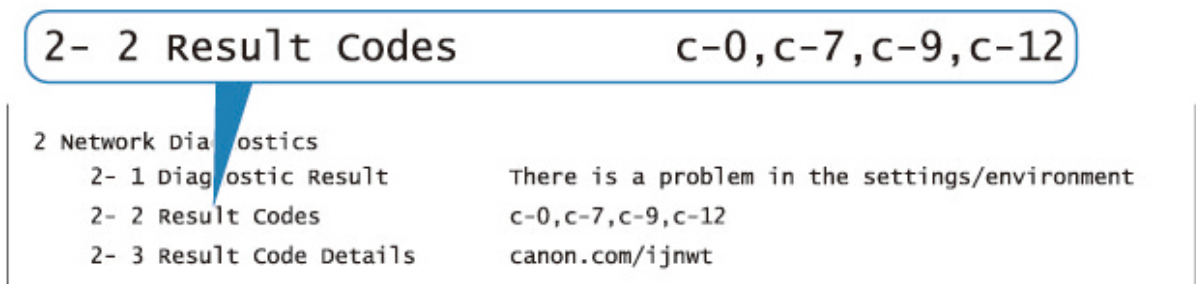
通过打印网络信息可以检查当前网络状态。“状态代码”表示网络状态。

请按照以下步骤检查状态代码。

1. 打印出网络设置。

■ [打印网络设置](#)

2. 检查打印输出上的“2-2 Result Codes”。



3. 要查看显示的状态代码(c-xx：“xx”代表数字字符)的详细资料，请访问 <http://canon.com/ijnwt>。

从智能手机/平板电脑进行打印时出现的问题

- ▶ 无法从智能手机/平板电脑进行打印

无法从智能手机/平板电脑进行打印

如果无法从智能手机/平板电脑进行打印，则所用智能手机/平板电脑可能无法与打印机进行通讯。

根据连接方法检查问题的原因。

- [无法通过无线 LAN 与打印机通讯](#)
- [无法与处于无线直连的打印机通讯](#)

注釋

- 有关使用其他连接方法进行打印的问题或有关执行各连接方法的设置的详细资料：
 - 使用 PIXMA/MAXIFY Cloud Link
 - 从 iOS 设备打印(AirPrint)

Q 无法通过无线 LAN 与打印机通讯

A

如果智能手机/平板电脑无法与打印机进行通讯，请检查以下各项。

检查 1 检查打印机、网络设备(如无线路由器)和智能手机/平板电脑的电源状态。

- 开启打印机或设备。
- 如果电源已开启，请重新启动。
- 可能需要解决无线路由器问题(如密钥的更新间隔、DHCP 更新间隔问题、节能模式等)或更新无线路由器固件。



有关详细资料，请联系无线路由器的制造商。

检查 2 检查设备(智能手机/平板电脑)的设置。

确保设备上已启用 Wi-Fi。

有关详细资料，请参阅设备的说明手册。

检查 3 打印机是否已连接到无线路由器？

使用 LCD 屏幕上的  图标检查打印机和无线路由器之间的连接状态。如果未显示  图标，则 Wi-Fi 处于禁用状态。在打印机上开启无线通讯。

检查 4 打印机的网络设置是否与无线路由器的网络设置相同？

确保打印机的网络设置[例如，网络名称(SSID)或网络密钥(密码)等]与无线路由器的网络设置相同。

要检查无线路由器的设置，请参阅无线路由器附带的说明手册或联系其制造商。

要检查打印机的当前网络设置，可使用打印机的操作面板将其显示或打印出打印机的网络设置信息。

- LCD 屏幕显示。
 - [LAN 设置](#)
- 打印网络设置。

■ 打印网络设置

▶▶▶ 注释

- IJ Network Device Setup Utility 可诊断并修复网络状态。

选择下列链接，下载 IJ Network Device Setup Utility 并安装。

- 使用 IJ Network Device Setup Utility 检查打印机连接状态

有关 IJ Network Device Setup Utility 的启动，请参见以下内容。

- 对于 Windows:

- [启动 IJ Network Device Setup Utility](#)

- 对于 macOS:

- 启动 IJ Network Device Setup Utility

检查 5 所用智能手机/平板电脑的网络设置是否与无线路由器的网络设置相同？

确保打印机的网络设置[例如，网络名称(SSID)或网络密钥(密码)等]与无线路由器的网络设置相同。

要检查所用智能手机/平板电脑的设置，请参阅智能手机/平板电脑附带的说明手册。

如果所用智能手机/平板电脑的网络设置与无线路由器的网络设置不同，请更改智能手机/平板电脑的网络设置，使其与无线路由器的网络设置相符。

检查 6 确保未将打印机放置于距离无线路由器过远的位置。

如果打印机与无线路由器之间的距离太远，则无线通讯不良。请将打印机和无线路由器彼此靠近。

▶▶▶ 注释

- 虽然多数无线路由器附带天线，但有些无线路由器的天线装在机身内部。

检查 7 确保有较强的无线信号。监视信号状态，并根据需要移动打印机和无线路由器。

打印机与无线路由器的放置位置之间应没有障碍物。在不同房间或楼层的无线通讯通常不佳。含金属或混凝土的建筑材料可能会阻碍无线通讯。如果由于墙壁而使打印机无法通过 Wi-Fi 与计算机通讯，请将打印机和计算机放置在同一房间。

此外，如果附近有发出与无线路由器相同频率频宽的无线电波的设备(如微波炉)，则可能会造成干扰。将无线路由器放置于尽量远离干扰源的地方。

检查 LCD 屏幕上的信号强度。

- [LCD 屏幕和操作面板](#)

▶▶▶ 注释

- IJ Network Device Setup Utility 可诊断并修复网络状态。

选择下列链接，下载 IJ Network Device Setup Utility 并安装。

- 使用 IJ Network Device Setup Utility 检查打印机连接状态

有关 IJ Network Device Setup Utility 的启动，请参见以下内容。

- 对于 Windows:

- [启动 IJ Network Device Setup Utility](#)

• 对于 macOS:

- 启动 IJ Network Device Setup Utility

无法与处于无线直连的打印机通讯

如果智能手机/平板电脑无法使用无线直连方式与打印机进行通讯，请检查以下内容。

检查 1 检查打印机和其他设备(智能手机或平板电脑)的电源状态。

开启打印机或设备。

如果电源已开启，请重新启动。

检查 2 LCD 屏幕上是否显示图标？

否则，无线直连已禁用。开启无线直连。

检查 3 检查设备(智能手机/平板电脑)的设置。

确保设备上已启用 Wi-Fi。

有关详细资料，请参阅设备的说明手册。

检查 4 确保将打印机选择为设备(例如智能手机或平板电脑)的连接目标。

选择为打印机指定的无线直连网络名称(SSID)作为设备的连接目标。

检查设备上的目标位置。

有关详细资料，请参阅设备说明手册或访问制造商网站。

要检查为打印机指定的无线直连网络名称(SSID)，可使用打印机的操作面板将其显示或打印出打印机的网络设置信息。

- LCD 屏幕显示。

- [LAN 设置](#)

- 打印网络设置。

- [打印网络设置](#)

检查 5 是否已输入为无线直连指定的正确密码？

要检查为打印机指定的密码，可使用打印机的操作面板显示密码或打印出打印机的网络设置信息。

- LCD 屏幕显示。

- [LAN 设置](#)

- 打印网络设置。

- [打印网络设置](#)

检查 6 确保未将打印机放置于距离设备过远的位置。

如果打印机与设备之间的距离过远，则无线通讯变差。请将打印机和设备彼此靠近。

检查 7 确保已连接 5 台设备。

无线直连不允许连接超过 5 台设备。

打印问题

- ▶ 打印机不打印
- ▶ 墨水没有喷出
- ▶ 打印机不取纸或不进纸/“无纸”错误
- ▶ 无法在光盘标签上打印
- ▶ 打印输出的结果不理想
- ▶ 打印中止
- ▶ 无法使用 AirPrint 打印
- ▶ 纸张无法从打印机驱动程序中指定的纸张来源送入(Windows)



打印机不打印



检查 1 确保打印机已开启。

否则，请确保打印机插头已稳固地插入，然后按**电源**按钮开启打印机。

打印机正在初始化时，**电源**指示灯会闪烁。请等待至**电源**指示灯停止闪烁并持续亮起。

注 释

- 如果正在打印大量数据(如照片或其他图形)，可能需要更长的时间才能开始打印。计算机正在处理数据并将其发送到打印机时，**电源**指示灯会闪烁。请等待至打印开始。

检查 2 确保打印机已正确连接到计算机。

如果正在使用 USB 电缆线，确保其已稳固地连接到打印机和计算机。USB 电缆线插头已稳固地插入时，请检查以下内容：

- 如果正在使用继电设备(如 USB 集线器)，请断开连接，将打印机直接连接到计算机，并重试打印。如果打印正常开始，则继电设备有问题。请与继电设备厂商联系。
- 也可能是 USB 电缆线有问题。更换 USB 电缆线并重试打印。

如果通过 LAN 使用打印机，请确保已正确设置打印机以供网络使用。

■ [使用 Wi-Fi 时无法找到打印机](#)

■ [使用有线 LAN 时无法找到打印机](#)

注 释

- IJ Network Device Setup Utility 可诊断并修复网络状态。

选择下列链接，下载 IJ Network Device Setup Utility 并安装。

■ [使用 IJ Network Device Setup Utility 检查打印机连接状态](#)

有关 IJ Network Device Setup Utility 的启动，请参见以下内容。

- **对于 Windows：**

■ [启动 IJ Network Device Setup Utility](#)

- **对于 macOS：**

■ [启动 IJ Network Device Setup Utility](#)

检查 3 检查无线路由器和打印机使用的带宽。

如果将打印机连接到 5GHz 带宽的无线路由器时使用无线直连接，则会取消无线路由器和打印机之间的连接。(某些国家和地区可能不支持 5GHz 带宽。)使用 2.4GHz 带宽以防止断开连接。打印机连接到 2.4GHz 带宽的无线路由器时，可以通过无线路由器或无线直连进行打印。

■ [通过无线直连接](#)

检查 4 确保纸张设置与为上端进纸盘或手动进纸托盘设置的信息匹配。

如果纸张设置与为上端进纸盘或手动进纸托盘设置的信息不匹配，则在 LCD 屏幕上出现错误信息。按照 LCD 屏幕上的说明解决问题。

■ 注册纸张信息

▶▶▶ 注释

- 可以选择是否显示防止误打印的信息。
 - 要更改使用打印机的操作面板打印时的信息视图设置：
 - [纸张相关设置](#)
 - 要更改使用打印机驱动程序进行打印时的信息视图设置：
 - [更改打印机操作模式 \(Windows\)](#)
 - [更改打印机操作模式 \(macOS\)](#)

检查 5 如果从计算机打印，请删除不需要的打印作业。

- 对于 Windows：
 - [删除不需要的打印作业](#)
- 对于 macOS：
 - [删除不需要的打印作业](#)

检查 6 确保多用途托盘导引器已关闭。

如果多用途托盘导引器打开，请将其关闭。

检查 7 手动进纸托盘是否位于供纸位置？

如果手动进纸托盘位于卡纸清除位置，请将托盘返回至供纸位置。

检查 8 页尺寸设置与打印机中装入的纸张的尺寸是否匹配？

• 对于 Windows：

检查打印机 LCD 屏幕上的信息以清除错误。然后检查打印机驱动程序的**页设置**选项卡中的**页尺寸**设置，装入尺寸与所设置尺寸相同的纸张，并再次尝试打印。

使用打印机驱动程序将打印机设置为不检测纸张宽度。

要将打印机设置为不检测纸张宽度，打开打印机驱动程序设置窗口，在**维护**选项卡下的**用户定义设置**中选择**从计算机打印时禁用纸张宽度检测**复选框，然后单击**确定**。

要打开打印机驱动程序设置窗口，请参见[如何打开打印机驱动程序设置窗口](#)。

* 打印完成后，请再次清除**从计算机打印时禁用纸张宽度检测**复选框，然后单击**确定**。

• 对于 macOS：

检查打印机 LCD 屏幕上的信息以清除错误。然后检查页设置对话框中的**纸张尺寸**设置，装入与所设置尺寸相同的纸张，并再次尝试打印。

使用 Canon IJ Printer Utility2 将打印机设置为不检测纸张宽度。

要将打印机设置为不检测纸张宽度，打开 Canon IJ Printer Utility2，在弹出菜单中选择**用户定义设置**设置，选择**从计算机打印时禁用纸张宽度检测**复选框，然后单击**应用**。

要打开 Canon IJ Printer Utility2，请参见打开 Canon IJ Printer Utility2。

* 打印完成后，请再次清除**从计算机打印时禁用纸张宽度检测**复选框，然后单击**应用**。

检查 9 是否在打印机驱动程序中正确指定了介质类型和纸张尺寸？

在打印机驱动程序中将介质类型指定为 **Photo Paper Pro Premium Matte A**、**优质精细艺术 光滑相片打印纸**或 **Matte Photo Paper** 时，从下列尺寸中指定具有宽边距的纸张尺寸。

- **A4(边距 25)**
- **Letter(边距 25)/美国信纸(边距 25)**
- **A3(边距 25)**
- **A3+(边距 25)**
- **11x17(边距 25)**
- **210x594mm(边距 25)**

重要事项

- 通过以下方法取消安全边距规则，即可使用正常纸张尺寸打印。

- **对于 Windows:**

单击打印机驱动程序**页设置**选项卡上的**打印选项**。然后在出现的对话框中选中**取消纸张尺寸的安全边距规则**复选框。

- **对于 macOS:**

在打印对话框的**纸张详细设置**中选中**取消边距规则**复选框。

根据环境的不同，如果使用普通纸张尺寸打印，纸张磨损等情况可能会造成纸张脏污或降低打印质量。建议使用具有宽边距的纸张尺寸打印。

检查 10 打印时是否已选择打印机的打印机驱动程序？

如果正在使用的是其他打印机的打印机驱动程序，则打印机将无法正确打印。

- **对于 Windows:**

确保在打印对话框中选择了“Canon XXX series” (“XXX”表示打印机的名称)。

注释

- 如果计算机上注册了多个打印机，请将您的打印机设置为默认打印机，以默认选择该打印机。

- **对于 macOS:**

确保在打印对话框的**打印机**中选择了所用打印机的名称。

注释

- 如果计算机中注册了多个打印机，请为一台打印机选择**系统偏好设置 > 打印机与扫描仪**中的**设置为默认打印机**，以默认选择该打印机。

检查 11 设置正确的打印机端口。(Windows)

• **使用 USB 电缆线将打印机连接到计算机：**

1. 确保打印机已开启。
2. 在**控制面板**中选择**设备和打印机**，然后右键单击打印机的图标以更正打印机端口。
3. 选择**删除设备**，删除不必要的打印机驱动程序。
4. 拔出 USB 电缆线。
5. 重新连接 USB 电缆线。

打印机驱动程序重建开始，并添加了新的打印机图标。

如果约 5 分钟后未添加打印机图标，则打印机驱动程序未正确安装。重新执行打印机设置。

• **要将打印机连接到网络：**

可以使用 IJ Network Device Setup Utility 执行网络设置。

1. 启动 IJ Network Device Setup Utility。
 - [启动 IJ Network Device Setup Utility](#)
2. 选择**诊断并修复**。

执行可连接的打印机检测。
3. 从列表中选择要重新连接的打印机，然后选择**下一步**。

显示诊断结果后，选择**下一步**。
4. 选择**退出**。

检查 12 要打印较大的数据文件吗？(Windows)

如果要尝试打印大型数据文件，需要较长时间才会开始打印。

如果一段时间后打印机未开始打印，请在**打印选项**对话框将**防止打印数据丢失**选择为**开**。

有关详细资料，请参阅[页设置选项卡的说明](#)。

重要事项

- 将**防止打印数据丢失**选择为**开**时，打印质量可能会降低。
- 打印完成后，请将**防止打印数据丢失**选择为**关**。

检查 13 如果从计算机打印，请重新启动计算机。

重新启动计算机，然后重试打印。



墨水没有喷出



检查 1 确保墨水盒中的墨水量符合估计量。

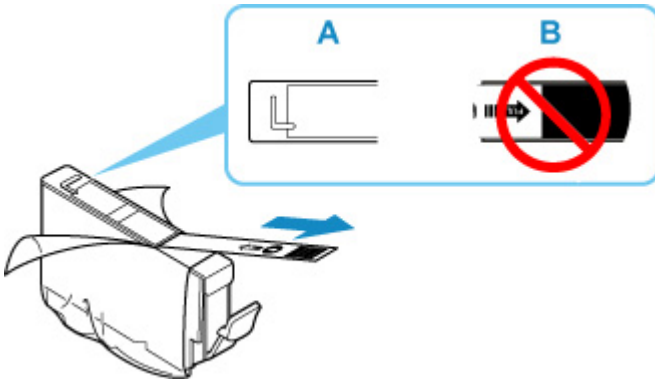
在 LCD 屏幕上检查墨水状态。

■ [在 LCD 屏幕上检查墨水状态](#)

检查 2 橙色胶带和塑料包装是否仍在墨水盒上？

确保如下图(A)所示撕下所有塑料保护包装，露出 L 形区域。

如果橙色胶带仍留在墨水盒(B)上，请将其撕下。



检查 3 打印头喷嘴是否堵塞？

请按照以下步骤打印喷嘴检查图案，并确认是否从打印头喷嘴正确喷出了墨水。

步骤 1 打印喷嘴检查图案。

打印喷嘴检查图案之后，检查该图案。

• 对于 Windows：

■ [打印喷嘴检查图案](#)

• 对于 macOS：

■ [打印喷嘴检查图案](#)

如果图案未正确打印，请转到下一步骤。

步骤 2 清洗打印头。

清洗打印头后，打印喷嘴检查图案并查看效果。

• 对于 Windows：

■ [清洗打印头](#)

• 对于 macOS：

■ [清洗打印头](#)

如果未改善，请再次清洗打印头。

如果仍未改善，请转到下一步骤。

步骤 3 深度清洗打印头。

深度清洗打印头后，打印喷嘴检查图案并查看效果。

- 对于 Windows:

- [深度清洗打印头](#)

- 对于 macOS:

- [深度清洗打印头](#)

如果未改善，请关闭打印机，等待至少 24 小时，然后转到下一步骤。关闭打印机时，请勿从电源拔出插头。

步骤 4 再次深度清洗打印头。

再次深度清洗打印头后，打印喷嘴检查图案并查看效果。

如果仍未改善，请转到下一步骤。

步骤 5 要求维修。

打印头可能已损坏。请与最近的 Canon 服务中心联系以要求维修。

有关打印喷嘴检查图案、打印头清洗和打印头深度清洗的详细资料，请参见[打印头](#)。



打印机不取纸或不进纸/“无纸”错误



检查 1 确保已装入纸张。

■ [装入纸张](#)

检查 2 装入纸张时，请注意以下事项。

- 装入两张或更多纸张时，请在装入前快速翻动纸张。



- 装入两张或更多纸张时，装入纸张前请首先将纸张的边缘对齐。
- 装入两页或更多纸张时，请确保纸叠不超过纸张装入限量。

但是，根据纸张的类型或环境状况(很高或很低的温度或湿度)，纸张可能无法以此最大容量正确送入。在这种情况下，请将一次装入的纸张数减少到纸张装入限量的一半以下。

- 无论打印方向如何，请务必纵向装入纸张。

在手动进纸托盘中：

装入纸张时，每次装入一张纸。连续打印时，打印完上一张后再放下一张纸。

检查 3 纸张是否过厚或卷曲？

■ [不支持的介质类型](#)

检查 4 装入明信片时，请注意以下事项：

- 如果明信片卷曲，则即使纸叠未超过纸张装入限量，可能也无法正确送入。
将邮编栏朝下装入日本明信片。

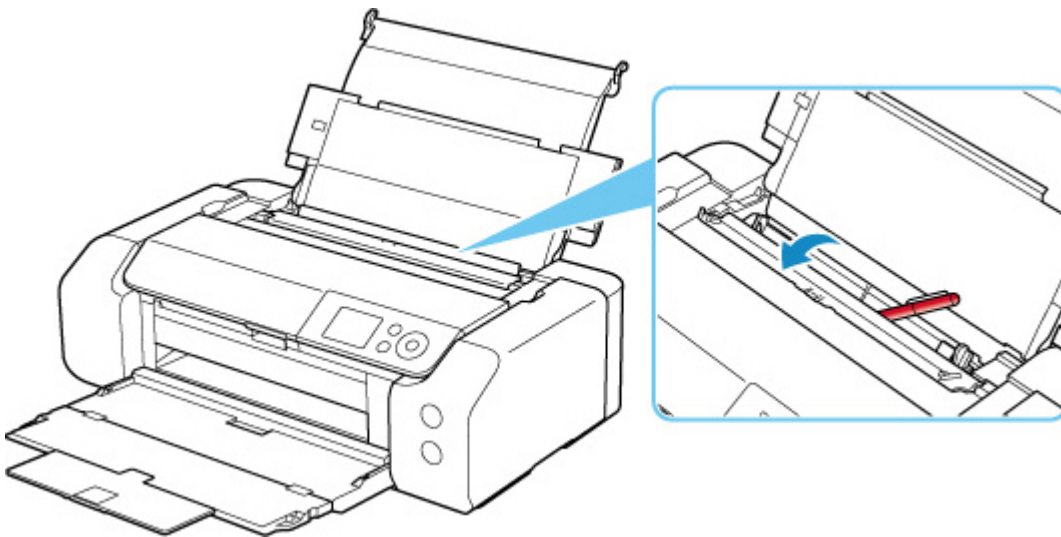
检查 5 检查纸张来源设置。

■ [根据用途切换纸张来源](#)

检查 6 确保纸张重量适用于打印机。

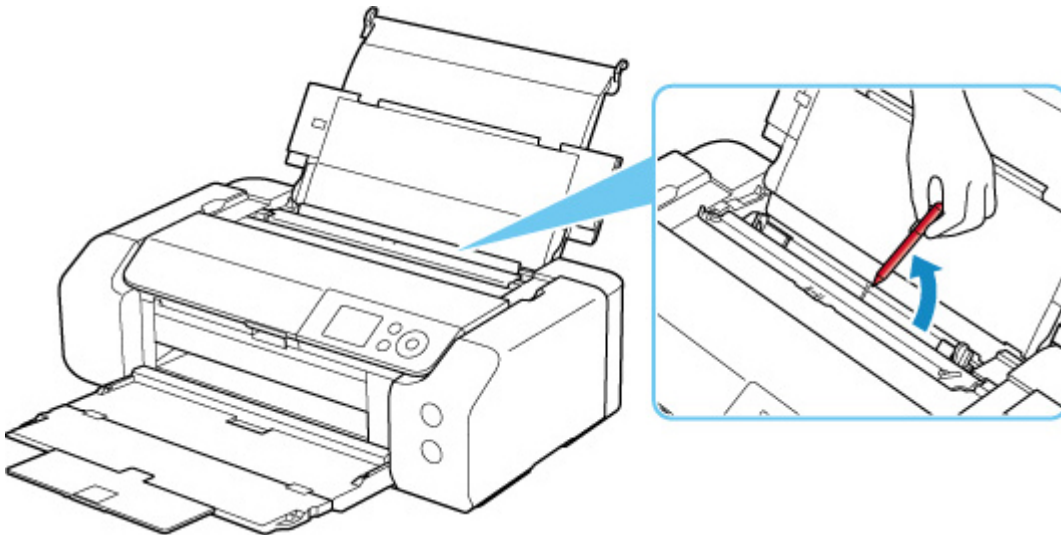
■ [支持的介质类型](#)

检查 7 确保上端进纸盘或手动进纸托盘中没有任何异物。



如果纸张在上端进纸盘或手动进纸托盘中撕裂，请参见[与错误对应的支持代码列表\(卡纸\)](#)将其取出。

如果上端进纸盘或手动进纸托盘中有任何异物，请务必关闭打印机，从电源插座拔出打印机插头，然后取出异物。



▶▶▶ 注释

- 如果进纸插槽盖板打开，请慢慢将其关闭。

检查 8 确保多用途托盘导引器完全关闭。

即使多用途托盘导引器稍微打开，纸张也无法正确地送入。

■ 放置可打印光盘

检查 9 清洁进纸滚轴。

■ 清洁进纸滚轴

▶▶▶ 注释

- 清洁进纸滚轴会磨损进纸滚轴，因此，请仅在需要时执行此操作。

如果以上措施未能解决问题，请与最近的 Canon 服务中心联系以要求维修。

无法在光盘标签上打印

■ [光盘标签打印未开始](#)

■ [未正确装入多用途托盘](#)

■ [多用途托盘卡住](#)

光盘标签打印未开始

检查 1 多用途托盘是否正确放置？

再次正确放置多用途托盘，然后在 LCD 屏幕上选择 **OK**。

使用本打印机随附的多用途托盘(标记有 A)。

有关放置多用途托盘的更多信息，请参见[放置可打印光盘](#)。

检查 2 可打印光盘是否已放置在多用途托盘上？

将可打印光盘正确放置在多用途托盘上，并选择 LCD 屏幕上的 **OK**。

使用本打印机随附的多用途托盘(标记有 A)。

有关放置多用途托盘的更多信息，请参见[放置可打印光盘](#)。

检查 3 是否已放置了多用途托盘一段时间？

如果已放置多用途托盘一段时间，它可能会弹出。

请按照 LCD 屏幕上的说明尝试重新操作。

未正确装入多用途托盘

检查 1 多用途托盘是否正确放置？

再次正确放置多用途托盘，然后在 LCD 屏幕上选择 **OK**。

使用本打印机随附的多用途托盘(标记有 A)。

有关放置多用途托盘的更多信息，请参见[放置可打印光盘](#)。

检查 2 可能放入了无法识别的可打印光盘。

Canon 建议使用经过特殊处理的可由喷墨打印机打印的可打印光盘。

多用途托盘卡住

A

轻轻拉出多用途托盘。

如果无法拉出多用途托盘，请关闭并重新打开电源开关。多用途托盘将自动弹出。

拉出多用途托盘后，重新放置多用途托盘(标记有 A)，并重试打印。有关放置多用途托盘的更多信息，请参见[放置可打印光盘](#)。

如果多用途托盘仍然被卡住，请检查可打印光盘是否有问题。

■ [未正确装入多用途托盘](#)



打印输出的结果不理想



如果由于白色条纹、线条偏移/歪斜或颜色不均匀而造成打印效果不理想，请首先确认纸张和打印质量设置。

检查 1 页尺寸和介质类型设置是否与已装入纸张的尺寸和类型一致？

如果这些设置不匹配，则无法获得理想的结果。

如果打印照片或插图，不正确的纸张类型设置可能会降低打印输出色彩的质量。

同样，如果使用错误的纸张类型设置打印，则打印面可能出现划痕。

如果使用无边距打印，根据不同的纸张类型设置和所装入纸张的组合，可能出现颜色不均匀。

根据打印机的用途，检查纸张和打印质量设置的方法有所不同。

- **从计算机打印**

使用打印机驱动程序检查该设置。

- [基本打印设置](#)

- **从兼容 PictBridge(Wi-Fi)的设备打印**

检查兼容 PictBridge(Wi-Fi)的设备上的设置或使用操作面板。

- [PictBridge\(Wi-Fi\)打印设置](#)

- [PictBridge 打印设置](#)

- **使用 Canon PRINT Inkjet/SELPHY 从智能手机/平板电脑打印**

检查 Canon PRINT Inkjet/SELPHY 上的设置。

- [从智能手机打印照片](#)

检查 2 确保选择了正确的打印质量(请参见上述列表)。

选择适用于纸张和打印内容的打印质量。如果发现模糊不清或颜色不均匀，请提高打印质量设置并重试打印。

»» 注释

- 从兼容 PictBridge(Wi-Fi)的设备打印时，请使用操作面板设置打印质量设置。

无法在兼容 PictBridge(Wi-Fi)的设备上进行此设置。

检查 3 使用 Wi-Fi 时，请确保无线电状态良好。

- [检查 Wi-Fi 网络状态](#)

如果无线电状态不佳，则打印结果可能不会令人满意，或打印速度可能较慢。无线电状态改善后，请重试打印。

如果无线电状态改善后问题仍未解决，请通过 USB 或有线 LAN 使用打印机。

检查 4 如果问题未解决，另请检查以下内容。

另请参见以下章节：

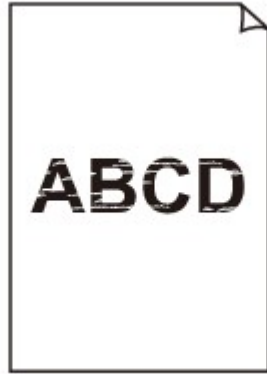
- ■ [打印输出空白/模糊不清/颜色不准确或渗出/出现条纹或线条](#)
- ■ [线条未对齐/变形](#)
- ■ [纸张出现污迹/打印面有划痕](#)
- ■ [图像旁边有垂直线条](#)
- ■ [无法完成打印](#)
- ■ [线条不完整或缺失\(Windows\)](#)
- ■ [图像不完整或缺失\(Windows\)](#)
- ■ [墨水渍/纸张卷曲](#)
- ■ [纸张背面出现污迹](#)
- ■ [颜色不均匀或有条纹](#)



打印输出空白/模糊不清/颜色不准确或渗出/出现条纹或线条



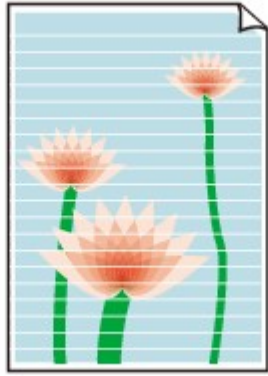
打印模糊不清



颜色错误



出现白色条纹



A

检查 1 检查纸张和打印质量设置。

■ [打印输出的结果不理想](#)

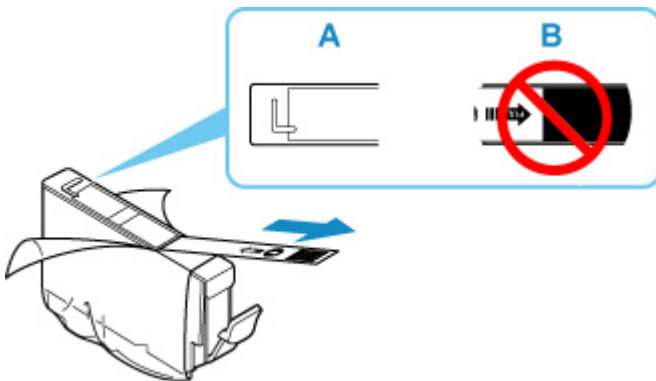
检查 2 检查墨水盒状态。如果墨水已用完，请更换墨水盒。

■ [更换墨水盒](#)

检查 3 橙色胶带和塑料包装是否仍在墨水盒上？

确保如下图(A)所示撕下所有塑料保护包装，露出 L 形区域。

如果橙色胶带仍留在墨水盒(B)上，请将其撕下。



检查 4 打印头喷嘴是否堵塞？

请按照以下步骤打印喷嘴检查图案，并确认是否从打印头喷嘴正确喷出了墨水。

步骤 1 打印喷嘴检查图案。

打印喷嘴检查图案之后，检查该图案。

• 对于 Windows：

■ [打印喷嘴检查图案](#)

• 对于 macOS：

■ [打印喷嘴检查图案](#)

如果图案未正确打印，请转到下一步骤。

步骤 2 清洗打印头。

清洗打印头后，打印喷嘴检查图案并查看效果。

- 对于 Windows:

- [清洗打印头](#)

- 对于 macOS:

- [清洗打印头](#)

如果未改善，请再次清洗打印头。

如果仍未改善，请转到下一步骤。

步骤 3 深度清洗打印头。

深度清洗打印头后，打印喷嘴检查图案并查看效果。

- 对于 Windows:

- [深度清洗打印头](#)

- 对于 macOS:

- [深度清洗打印头](#)

如果未改善，请关闭打印机，等待至少 24 小时，然后转到下一步骤。关闭打印机时，请勿从电源拔出插头。

步骤 4 再次深度清洗打印头。

再次深度清洗打印头后，打印喷嘴检查图案并查看效果。

如果仍未改善，请转到下一步骤。

步骤 5 要求维修。

打印头可能已损坏。请与最近的 Canon 服务中心联系以要求维修。

有关打印喷嘴检查图案、打印头清洗和打印头深度清洗的详细资料，请参见[打印头](#)。

检查 5 使用仅一面可打印的纸张时，确保将纸张可打印面向上装入。

在这种纸张错误的一面上打印可能会造成打印不清晰或打印质量降低。

有关可打印面的详细信息，请参阅纸张附带的说明手册。



线条未对齐/变形



检查 1 检查纸张和打印质量设置。

■ [打印输出的结果不理想](#)

检查 2 执行打印头对齐。

如果打印的线条没有对齐/歪斜或打印效果不理想，请调整打印头位置。

■ [对齐打印头](#)

»» 注释

- 如果执行打印头对齐后问题未解决，请手动执行打印头对齐。

■ [手动对齐打印头](#)

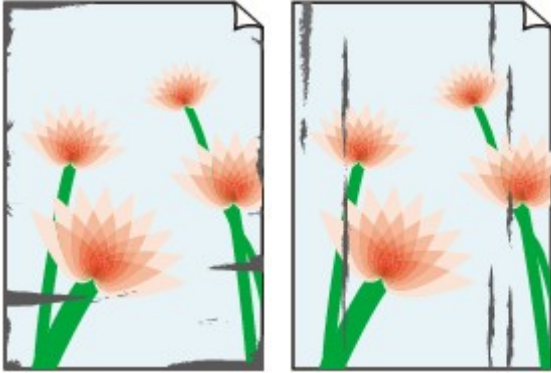
检查 3 提高打印质量并再次尝试打印。

使用打印机驱动程序提高打印质量可能改善打印结果。



纸张出现污迹/打印面有划痕

纸张出现污迹



边缘有污迹

表面有污迹



打印面有划痕



检查 1 检查纸张和打印质量设置。

■ 打印输出的结果不理想

检查 2 检查纸张类型。

- 确保正在使用正确的纸张进行打印。
 - [支持的介质类型](#)
- 对于无边距打印，请使用适合无边距打印的纸张。

如果正在使用的纸张不适合无边距打印，纸张上边缘和下边缘处的打印质量可能会有所降低。

■ [打印区域](#)

检查 3 装入纸张前平整卷曲。

使用亚高光泽照片纸时，即使纸张卷曲，也请按原样一次装入一张纸。如果向相反方向卷起纸张以平整纸张，可能造成纸张表面出现裂纹并降低打印质量。

建议将未用完的纸张放回包装并将其平展放置。

• 普通纸

翻转纸张并重新装入以在另一面上打印。

• 其他纸张(如信封)

如果纸张四角的卷曲高度超过 3 毫米/0.1 英寸(A)，纸张可能出现污迹或可能无法正确送入。按照以下说明平整纸张卷曲。



1. 如下图所示，向纸张卷曲的相反方向卷起纸张。

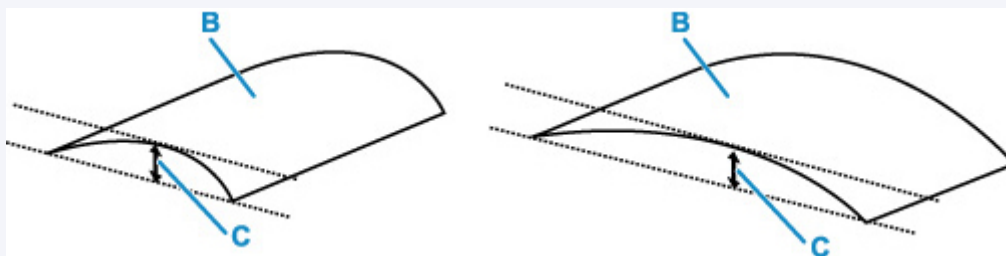


2. 确认纸张现在已平展。

建议每次使用一张平整后的纸张打印。

►► 注释

- 根据纸张类型，即使纸张未向内卷曲也可能出现污迹或无法正确送入。打印前请按照以下说明向外卷曲纸张，并且高度在 3 毫米/0.1 英寸(C)以内。这可能会改善打印效果。



(B) 打印面

建议每次送入一张向外卷曲过的纸张。

检查 4 设置打印机以防止纸张磨损。

调整防止纸张磨损的设置时会增加打印头与纸张之间的间隙。如果发现介质类型设置与纸张正确匹配时仍出现磨损，请使用操作面板或计算机设置打印机以防止纸张磨损。

这可能会降低打印速度。

* 完成打印后，请撤销此设置。否则，此设置将应用于后续打印作业。

• 从操作面板

在主页屏幕上，选择**各种设置** > **设备设置** > **打印设置**，然后将**防止纸张磨损**设置为开。

■ 从操作面板更改设置

• 从计算机(Windows):

1. 确认打印机是否已开启。

2. 打开 Canon IJ Printer Assistant Tool。

■ [打开维护工具\(Canon IJ Printer Assistant Tool\)](#)

3. 选择用户定义设置。

4. 选中防止纸张磨损复选框，然后选择确定。

5. 查看信息并选择确定。

• 从计算机(macOS):

从远程用户界面调整设置以防止纸张磨损。

■ [打开远程用户界面进行维护](#)

检查 5 如果亮度设置较低，请提高亮度设置并再次尝试打印。(Windows)

如果正在使用低亮度设置在普通纸上打印，纸张可能会吸收过多墨水并卷曲，造成纸张磨损。

■ [调节亮度](#)

检查 6 请勿在推荐的打印区域外打印。

如果在纸张的推荐打印区域外打印，则墨水可能会弄脏纸张的下边缘。

使用应用程序软件重新设置文档的尺寸。

■ [打印区域](#)

检查 7 进纸滚轴是否脏污？

清洁进纸滚轴。

■ [清洁进纸滚轴](#)

▶▶▶ **注释**

- 清洁进纸滚轴会磨损进纸滚轴，因此，请仅在需要时执行此操作。

检查 8 打印机内部是否脏污？

墨水可能弄脏打印机内部，使打印输出脏污。

执行底板清洁可清洁打印机内部。

■ [清洁打印机内部\(底板清洁\)](#)

▶▶▶ **注释**

- 要防止打印机内部脏污，请务必设置正确的纸张尺寸。

检查 9 设置更长的墨水晾干时间。

此功能可以晾干打印面，避免出现污迹和划痕。

• 对于 Windows:

1. 确认打印机是否已开启。
2. 打开 Canon IJ Printer Assistant Tool。
 - [打开维护工具\(Canon IJ Printer Assistant Tool\)](#)
3. 选择用户定义设置。
4. 拖动**墨水晾干等待时间**滑动条以设置等待时间，然后选择**确定**。
5. 查看信息并选择**确定**。

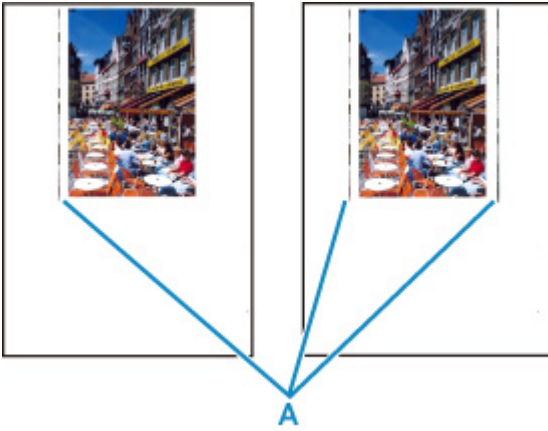
• 对于 macOS:

使用远程用户界面设置等待时间。

- 打开远程用户界面进行维护



图像旁边有垂直线条



检查 装入的纸张尺寸是否正确？

如果装入的纸张尺寸大于指定的尺寸，可能会在左侧边距或两侧边距中出现垂直线条(A)。

设置纸张尺寸以匹配装入的纸张。

■打印输出的结果不理想

▶▶ 注释

- 根据不同图像数据或打印设置，垂直线条(A)的方向或图案可能有所不同。
- 本打印机在必要时执行自动清洁以保持打印输出干净。清洁时会喷出少量的墨水。

虽然墨水通常喷在纸张外边缘的墨水收集器上，但如果装入的纸张尺寸大于设置的尺寸，墨水也可能会喷到纸张上。



无法完成打印



检查 1 选择不压缩打印数据的设置。(Windows)

如果通过正在使用的应用程序软件选择不压缩打印数据的设置，打印结果可能会有所改善。

单击打印机驱动程序**页设置**选项卡上的**打印选项**。选中**不允许应用程序软件压缩打印数据**复选框，并单击**确定**。

重要事项

- 打印完成后，清除该复选框。

检查 2 要打印较大的数据文件吗？(Windows)

如果要尝试打印大型数据文件，需要较长时间才会开始打印。

如果一段时间后打印机未开始打印，请在**打印选项**对话框将**防止打印数据丢失**选择为**开**。

有关详细资料，请参阅[页设置选项卡的说明](#)。

重要事项

- 将**防止打印数据丢失**选择为**开**时，打印质量可能会降低。
- 打印完成后，请将**防止打印数据丢失**选择为**关**。

检查 3 硬盘可能没有足够空间来存储作业。

删除不需要的文件以释放磁盘空间。



线条不完整或缺失(Windows)

	Tokyo	London	New York
Jan.	12,000,000	10,500,000	12,300,000
Feb.	11,500,000	10,800,000	12,000,000
Mar.	13,800,000	12,800,000	14,200,000



检查 1 是否正在使用页面布局打印或装订边距功能？

使用页面布局打印或装订边距功能时，细线条可能无法打印。尝试加粗文档中的线条。

检查 2 要打印较大的数据文件吗？(Windows)

如果要尝试打印大型数据文件，需要较长时间才会开始打印。

如果一段时间后打印机未开始打印，请在**打印选项**对话框将**防止打印数据丢失**选择为开。

有关详细资料，请参阅[页设置选项卡的说明](#)。

重要事项

- 将**防止打印数据丢失**选择为开时，打印质量可能会降低。
- 打印完成后，请将**防止打印数据丢失**选择为关。



图像不完整或缺失(Windows)



检查 1 选择不压缩打印数据的设置。

如果通过正在使用的应用程序软件选择不压缩打印数据的设置，打印结果可能会有所改善。

单击打印机驱动程序**页设置**选项卡上的**打印选项**。选中**不允许应用程序软件压缩打印数据**复选框，并单击**确定**。

有关详细资料，请参阅[页设置选项卡的说明](#)。

重要事项

- 打印完成后，清除该复选框。

检查 2 要打印较大的数据文件吗？(Windows)

如果要尝试打印大型数据文件，需要较长时间才会开始打印。

如果一段时间后打印机未开始打印，请在**打印选项**对话框将**防止打印数据丢失**选择为**开**。

有关详细资料，请参阅[页设置选项卡的说明](#)。

重要事项

- 将**防止打印数据丢失**选择为**开**时，打印质量可能会降低。
- 打印完成后，请将**防止打印数据丢失**选择为**关**。



墨水渍/纸张卷曲

墨水渍



纸张卷曲



检查 1 检查纸张和打印质量设置。

■ [打印输出的结果不理想](#)

检查 2 如果亮度设置较低，请提高亮度设置并再次尝试打印。(Windows)

如果正在使用低亮度设置在普通纸上打印，纸张可能会吸收过多墨水并卷曲，造成纸张磨损。

■ [调节亮度](#)

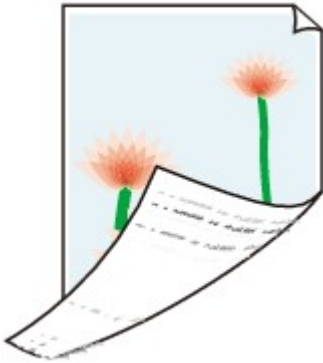
检查 3 使用照片纸打印照片。

要打印高色彩饱和度的数据(如深色照片或图像)，建议使用高级光面照片纸 II 或其他 Canon 专业纸张。

■ [支持的介质类型](#)



纸张背面出现污迹



检查 1 检查纸张和打印质量设置。

■ [打印输出的结果不理想](#)

检查 2 执行底板清洁可清洁打印机内部。

■ [清洁打印机内部\(底板清洁\)](#)

»» 注释

- 大量打印期间，墨水可能会弄脏打印机内部。



颜色不均匀或有条纹

■ 颜色不均匀



■ 颜色有条纹



检查 1 检查纸张和打印质量设置。

■ [打印输出的结果不理想](#)

检查 2 打印头喷嘴是否堵塞？

请按照以下步骤打印喷嘴检查图案，并确认是否从打印头喷嘴正确喷出了墨水。

步骤 1 打印喷嘴检查图案。

打印喷嘴检查图案之后，检查该图案。

• 对于 Windows：

■ [打印喷嘴检查图案](#)

• 对于 macOS：

■ [打印喷嘴检查图案](#)

如果图案未正确打印，请转到下一步骤。

步骤 2 清洗打印头。

清洗打印头后，打印喷嘴检查图案并查看效果。

- 对于 Windows:

- [清洗打印头](#)

- 对于 macOS:

- [清洗打印头](#)

如果未改善，请再次清洗打印头。

如果仍未改善，请转到下一步骤。

步骤 3 深度清洗打印头。

深度清洗打印头后，打印喷嘴检查图案并查看效果。

- 对于 Windows:

- [深度清洗打印头](#)

- 对于 macOS:

- [深度清洗打印头](#)

如果未改善，请关闭打印机，等待至少 24 小时，然后转到下一步骤。关闭打印机时，请勿从电源拔出插头。

步骤 4 再次深度清洗打印头。

再次深度清洗打印头后，打印喷嘴检查图案并查看效果。

如果仍未改善，请转到下一步骤。

步骤 5 要求维修。

打印头可能已损坏。请与最近的 Canon 服务中心联系以要求维修。

有关打印喷嘴检查图案、打印头清洗和打印头深度清洗的详细资料，请参见[打印头](#)。

检查 3 执行打印头对齐。

- [对齐打印头](#)

注释

- 如果执行打印头对齐后问题未解决，请手动执行打印头对齐。

- [手动对齐打印头](#)

检查 4 如果打印材料堆叠在一起晾干，颜色可能会不均匀。

为避免颜色不均匀，建议逐张进行晾干。



打印中止



检查 1 纸张是否装入？

确保已装入纸张。

如有必要，请装入纸张。

检查 2 要打印的文档是否包含许多照片或插图？

由于打印机和计算机需要时间处理大量数据(如照片或其他图形)，因此打印机可能看似未在工作。

此外，在普通纸上连续打印需耗用大量墨水的数据时，打印机可能会暂停。不论在哪一种情况下，都需等待至处理完毕。

▶▶▶ 注释

- 如果打印具有较大打印区域的文档或打印多份文档，打印可能会暂停以使墨水晾干。

检查 3 打印机是否已长时间连续打印？

如果打印机已连续打印了较长时间，则打印头或其周围的其他部件可能会过热。打印机可能会在换行时停止打印一段时间，然后恢复打印。

在这种情况下，请不要进行操作，等待一段时间。如果无法恢复打印，请关闭打印机。等待一段时间后，开启打印机，检查是否可以打印。

⚠ 注意

- 打印头及其周围区域会变得极为灼热。切勿接触打印头或附近的部件。
-

检查 4 在纸张上打印时，多用途托盘导引器是否打开？

关闭多用途托盘导引器。



无法使用 AirPrint 打印



检查 1 确保打印机已开启。

■ [电源供应](#)

如果打印机电源已开启，请重新启动，然后检查问题是否已解决。

检查 2 确保打印机已注册到计算机。

检查 3 通过 LAN 打印时，确保打印机通过 LAN 与兼容 AirPrint 的设备连接到同一网络子网。

检查 4 确保打印机具有足够的纸张与墨水。

检查 5 确保打印机的 LCD 屏幕上未显示错误信息。



纸张无法从打印机驱动程序中指定的纸张来源送入(Windows)



检查 应用程序和打印机驱动程序之间的纸张来源设置是否一致？

根据打印机驱动程序设置更改应用程序软件设置，或在打印机驱动程序中单击**页设置**选项卡上的**打印选项**，并在**打印选项**屏幕上选择**禁用应用程序软件的纸张来源设置**。

应用程序和打印机驱动程序之间的纸张来源设置不一致时，应用程序软件设置优先。

有关详细资料，请参阅[页设置选项卡的说明](#)。

机械问题

- ▶ 打印机未开启
- ▶ 打印机意外关闭或反复关闭
- ▶ **USB 连接问题**
- ▶ 无法通过 **USB** 与打印机通讯
- ▶ **LCD** 屏幕中出现错误的语言
- ▶ **LCD** 屏幕关闭
- ▶ 打印头固定器未移到更换位置
- ▶ 未显示打印机状态监视器(Windows)
- ▶ 更新打印机固件



打印机未开启



检查 1 按**电源**按钮。

■ [电源供应](#)

检查 2 确保电源插头已稳固地连接到打印机，然后重新开启。

检查 3 拔出打印机插头，至少等待 2 分钟，然后重新插入插头并再次开启。

如果此操作未能解决问题，请与最近的 Canon 服务中心联系以要求维修。



打印机意外关闭或反复关闭



检查 如果将打印机设置为一段时间后自动关闭，请禁用此设置。

如果将打印机设置为在指定时间后自动关闭，则该时间过后，电源将自动关闭。

• **要从操作面板禁用该设置：**

1. 确认打印机是否已开启。
2. 在主页屏幕上选择**各种设置**，然后按 **OK** 按钮。
3. 选择**设备设置**，然后按 **OK** 按钮。
4. 选择**节能设置**，然后按 **OK** 按钮。
5. 选择**自动电源关闭**，然后按 **OK** 按钮。
6. 选择**从不**，然后按 **OK** 按钮。
7. 选择 **OK**，然后按 **OK** 按钮。

此设置被禁用。

• **要从计算机禁用该设置：**

对于 Windows，使用 Canon IJ Printer Assistant Tool 禁用该设置。

按照以下步骤使用 Canon IJ Printer Assistant Tool 禁用该设置。

1. 打开 Canon IJ Printer Assistant Tool。
 - [打开维护工具\(Canon IJ Printer Assistant Tool\)](#)
2. 选择**自动电源设置**。
3. 将**自动电源关闭**选择为**禁用**。
4. 选择**确定**。
5. 在显示的屏幕中选择**确定**。

用于自动关闭电源的设置被禁用。



USB 连接问题



出现以下任一情况时，请确认以下检查项。

- 打印速度慢。
- Hi-Speed USB 连接不工作。
- 显示如“**此设备可提高性能**”等信息。(Windows)

注釋

- 如果系统环境不支持 Hi-Speed USB，打印机将以 USB 1.1 的较慢速度运行。在这种情况下，打印机可正常工作，但打印速度可能会因通讯速度而降低。

检查 检查以下各项以确保系统环境支持 Hi-Speed USB 连接。

- 计算机的 USB 端口是否支持 Hi-Speed USB 连接？
- USB 电缆线或 USB 集线器是否支持 Hi-Speed USB 连接？
务必使用合格的 Hi-Speed USB 电缆线。建议使用长度不超过约 3 米/10 英尺的 USB 电缆线。
- Hi-Speed USB 驱动程序是否在计算机上正常工作？

确保最新 Hi-Speed USB 驱动程序正常工作，并在必要时为计算机获取并安装最新版本的 Hi-Speed USB 驱动程序。

重要事項

- 有关更多信息，请联系计算机、USB 电缆线或 USB 集线器制造商。



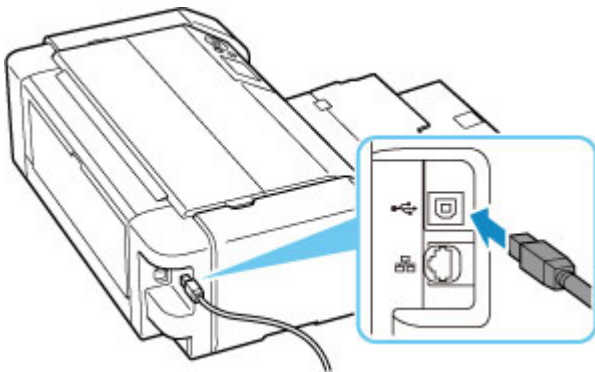
无法通过 USB 与打印机通讯



检查 1 确保打印机已开启。

检查 2 正确连接 USB 电缆线。

如下图所示，USB 端口位于打印机后部。



重要事项

- 检查“Type-B”连接器的方向并将其连接到打印机。有关详细资料，请参阅 USB 电缆线附带的说明手册。

检查 3 确保在**打印机属性**对话框的**端口**选项卡中已选择**启用双向支持**。(Windows)

否则，请选择该项，以启用双向支持。


■ [如何打开打印机驱动程序设置窗口](#)



LCD 屏幕中出现错误的语言



请按照以下说明选择语言。

1. 按**主页**按钮并等待一段时间。
2. 在主页屏幕上选择 ，然后按 **OK** 按钮。
3. 选择第一个设置项目，然后按 **OK** 按钮。
4. 选择从上至下第七个设置项目，然后按 **OK** 按钮。
5. 选择要用于 LCD 屏幕的语言，然后按 **OK** 按钮。



LCD 屏幕关闭



- 如果**电源**指示灯熄灭：
打印机未开启。确认电源线已连接，然后按**电源**按钮。
- 如果**电源**指示灯亮起：
LCD 屏幕可能处于屏幕保护模式。按操作面板上的任意按钮。



打印头固定器未移到更换位置



检查 1 电源指示灯是否熄灭？

检查**电源**指示灯是否亮起。

只有电源开启时，打印头固定器才会移动。如果**电源**指示灯熄灭，请关闭上盖并开启打印机。

打印机正在初始化时，**电源**指示灯会闪烁。请等待至**电源**指示灯停止闪烁并变为常亮，然后再次打开上盖。

检查 2 LCD 屏幕上是否显示错误信息？

关闭上盖，按照错误信息显示的支持代码(错误编号)解决错误，然后将其重新打开。有关解决错误的详细资料，请参见[与错误对应的支持代码列表](#)。

检查 3 上盖是否已打开 10 分钟或更长时间？

如果上盖打开的时间超过 10 分钟，打印头固定器会移到适当位置以防止打印头干涸。关闭并重新打开上盖以使打印头固定器返回至更换位置。

检查 4 打印机是否已长时间连续打印？

关闭上盖，稍后再重新打开。

如果打印机已连续打印了较长时间，由于打印头可能变得过热，打印头固定器可能不会移动到更换位置。



未显示打印机状态监视器(Windows)



检查 是否启用了打印机状态监视器？

确保在打印机状态监视器的**选项菜单**上选择**启动状态监视器**。

1. 打开打印机驱动程序设置窗口。
[如何打开打印机驱动程序设置窗口](#)
2. 在**维护**选项卡上，单击**查看打印机状态**。
3. 如果没有在**选项菜单**上选择**启动状态监视器**，请选择。



更新打印机固件



重要事项

- 更新打印机固件前，请确保打印机已连接到互联网。

- [从操作面板更新打印机固件](#)
- [从远程用户界面更新打印机固件](#)

请按照以下步骤操作。

从操作面板更新打印机固件

1. 确认打印机已开启，并显示主页屏幕。
如果未显示主页屏幕，请按**主页**按钮。
2. 在主页屏幕上选择**各种设置**，然后按 **OK** 按钮。
出现设置菜单屏幕。
3. 选择**设备设置**，然后按 **OK** 按钮。
4. 选择**固件更新**，然后按 **OK** 按钮。
5. 选择**安装更新**，然后按 **OK** 按钮。
6. 检查显示的信息并选择**是**，然后按 **OK** 按钮。
7. 检查显示的信息并选择**开始更新**，然后按 **OK** 按钮。
更新开始。
完成更新时，会关闭打印机后重新将其开启。
8. 查看显示的信息，然后按 **OK** 按钮。

从远程用户界面更新打印机固件

1. [在 Web 浏览器中显示打印机状态。](#)
2. 请选择**固件更新**。

3. 选择安装更新。

4. 检查显示的信息，并选择更新。

开始更新，并在更新完成后返回菜单屏幕。

安装和下载问题

- ▶ 安装打印机驱动程序失败(Windows)
- ▶ 在网络环境中更新打印机驱动程序(Windows)
- ▶ 禁用发送打印机使用信息的功能
- ▶ 设置过程慢(Windows)

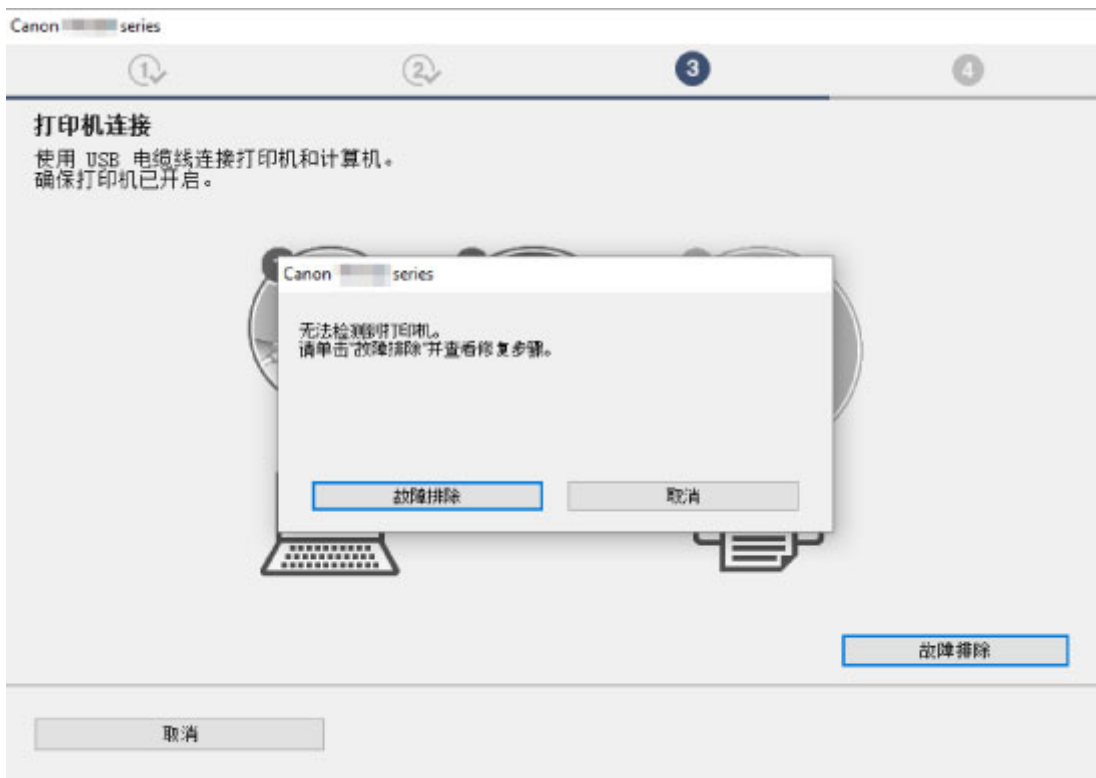


安装打印机驱动程序失败(Windows)



- [如果无法通过打印机连接屏幕：](#)
- [其他情况：](#)

如果无法通过打印机连接屏幕：



- [在打印机连接屏幕以后无法继续操作](#)

其他情况：

如果没有正确地安装打印机驱动程序，请卸载打印机驱动程序，重新启动计算机，然后重新安装打印机驱动程序。

- [删除不需要的打印机驱动程序](#)

单击此处并安装打印机驱动程序。

注 释

- 如果因 Windows 错误而导致安装程序停止，Windows 操作可能不稳定，并且可能无法安装驱动程序。请重新启动计算机，然后重新安装驱动程序。



在网络环境中更新打印机驱动程序(Windows)



预先下载最新的打印机驱动程序。

在 Canon 网站的下载网页上，下载所用型号的最新打印机驱动程序。

下载完成后，请根据指定的安装步骤覆盖并安装新版本的打印机驱动程序。

▶▶▶ 注释

- 打印机上的网络设置不会受到影响，因此可以在网络上使用打印机而无需恢复设置。



禁用发送打印机使用信息的功能



打印机使用信息的发送功能由打印机、计算机和智能手机/平板电脑分别配置或控制。从每台设备以及打印机禁用此功能。

重要事项

- 禁用使用信息发送功能前，请确保每台设备已连接到互联网。
- 如果执行设置以停止使用信息的发送，将无法使用需要打印机信息的服务(如 PIXMA/MAXIFY Cloud Link)。
- 在某些情况下，您的选择要反映到打印机会需要些时间。

■ [对于 Windows:](#)

■ [对于 macOS:](#)

■ [对于 Canon PRINT Inkjet/SELPHY:](#)

对于 Windows:

执行安装步骤更改打印机信息发送设置。

1. 确保要更改设置的计算机已连接到互联网。
2. 单击此处并开始设置步骤。
3. 在开始设置屏幕上单击开始设置。
按照屏幕上的说明执行设置步骤，直到出现有关 **Canon 产品相关服务的使用许可协议** 屏幕。
4. 单击有关 **Canon 产品相关服务的使用许可协议** 屏幕上的不同意。
出现警告屏幕。
5. 在显示的屏幕上单击确定。
6. 按照屏幕上的说明执行设置步骤，直到结束。
7. 如果一段时间后再次出现有关 **Canon 产品相关服务的使用许可协议** 屏幕，单击不同意。

注释

- 根据操作环境，出现许可协议屏幕可能需要些时间。
- 再次出现许可协议屏幕前，请勿关闭打印机。

对于 macOS:

执行安装步骤更改打印机信息发送设置。

1. 单击此处并开始设置步骤。
2. 在**开始设置**屏幕上单击**开始设置**。
按照屏幕上的说明执行设置步骤，直到出现**有关 Canon 产品相关服务的使用许可协议**屏幕。
3. 单击**有关 Canon 产品相关服务的使用许可协议**屏幕上的**不同意**。
出现警告屏幕。
4. 在显示的屏幕上单击**确定**。
5. 按照屏幕上的说明执行设置步骤，直到结束。
6. 如果一段时间后再次出现**有关 Canon 产品相关服务的使用许可协议**屏幕，单击**不同意**。

►► 注释

- 根据操作环境，出现许可协议屏幕可能需要些时间。
- 再次出现许可协议屏幕前，请勿关闭打印机。

对于 Canon PRINT Inkjet/SELPHY:

使用 Canon PRINT Inkjet/SELPHY 更改打印机和智能手机/平板电脑的信息发送设置。

1. 确认打印机是否已开启。
2. 启动 Canon PRINT Inkjet/SELPHY。
3. 点按右上方的按钮。
4. 点击版本信息。
5. 点击**关于**。
6. 点击**使用情况调查**。
出现**使用情况调查**协议屏幕。
7. 检查显示的信息，然后单击**不同意**。
从 Canon PRINT Inkjet/SELPHY 发送使用信息的功能已禁用。
单击**同意**可启用使用信息发送功能。

下一步，禁用从打印机发送使用信息的功能。

8. 查看 Canon PRINT Inkjet/SELPHY 的首页屏幕。

确保已选择要更改设置的打印机。

9. 点击打印机图标。

10. 点击 Web 服务使用确认。

出现有关 Canon 产品相关服务的使用协议屏幕。

11. 检查显示的信息，然后点击不同意。

出现警告屏幕。

12. 在显示的警告屏幕上点击确定。

从打印机发送使用信息的功能已禁用。

点击**同意**可启用使用信息发送功能。

»» 注释

- 在智能手机/平板电脑上完成设置更改前，请勿关闭打印机。

如果连接多台设备到打印机，您需要在所有设备禁用使用信息发送功能。如果在其中一台设备上启用了此功能，则将继续发送使用信息。



设置过程慢(Windows)



如果设置过程中 Windows 开始更新，或者在 Windows 更新过程中执行设置，注册打印机或执行其他处理可能需要一段时间。

请等待片刻。这并非故障。

错误和信息

- ▶ 出现错误时
- ▶ 出现信息(支持代码)
- ▶ 兼容 PictBridge(Wi-Fi)的设备出现错误信息

出现错误时

如果打印时发生错误(例如, 纸张用完或卡纸), 会自动显示故障排除信息。采取信息中描述的适当措施。
发生错误时, 计算机或打印机会显示信息。对于某些错误, 还会显示支持代码(错误编号)。

支持代码和信息显示在计算机屏幕上时(Windows):



Canon [redacted] series - [redacted]

支持代码: 1000

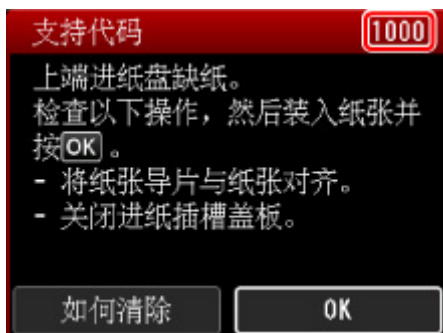
纸张已用完。
介质类型: Photo Paper Pro Platinum
页尺寸: A4

1. 在上端进纸盘中装入纸张。
2. 按打印机的“OK”按钮。

用户手册

取消打印

打印机的 LCD 屏幕上显示支持代码和信息时:



支持代码 1000

上端进纸盘缺纸。
检查以下操作, 然后装入纸张并按OK。

- 将纸张导片与纸张对齐。
- 关闭进纸插槽盖板。

如何清除 OK

有关如何解决带支持代码的错误的详细资料, 请参见[与错误对应的支持代码列表](#)。

有关如何解决不带支持代码的错误的详细资料, 请参见[出现信息\(支持代码\)](#)。

出现信息(支持代码)

本节介绍可能出现的一些信息。

»» 注释

- 某些错误会显示支持代码(错误编号)。有关带支持代码的错误的详细资料,请参见[与错误对应的支持代码列表](#)。

如果打印机的 LCD 屏幕上显示信息,请参见以下内容。


■ [信息出现在打印机的 LCD 屏幕上](#)

如果计算机上出现信息,请参见以下内容。

- [显示有关电源线被拔出的错误\(Windows\)](#)
- [写入错误/输出错误/通讯错误\(Windows\)](#)
- [其他错误信息\(Windows\)](#)

信息出现在打印机的 LCD 屏幕上

检查错误信息并采取适当措施。

- **上次电源未正确关闭。请在关闭电源时按  按钮。**
打印机电源线可能在电源还处于开启状态时被拔出。
按打印机的 **OK** 按钮以清除错误。

»» 注释

- 请参见[拔出打印机插头](#)以正确拔出打印机插头。
- **无法连接至服务器。请稍候并重试。**
由于通讯错误,打印机无法连接到服务器。
按打印机的 **OK** 按钮取消错误,一段时间后再次执行操作。

显示有关电源线被拔出的错误(Windows)

打印机插头可能在其处于开启状态时被拔出。

检查计算机屏幕上显示的错误信息,并单击**确定**。

打印机开始打印。

有关拔出电源线,请参见[拔出打印机插头](#)。

写入错误/输出错误/通讯错误 (Windows)

检查 1 如果**电源**指示灯已熄灭,请确保插入打印机插头并将其开启。

打印机正在初始化时,**电源**指示灯会闪烁。请等待至**电源**指示灯停止闪烁并持续亮起。

检查 2 确保打印机已正确连接到计算机。

如果正在使用 USB 电缆线，确保其已稳固地连接到打印机和计算机。USB 电缆线插头已稳固地插入时，请检查以下内容：

- 如果正在使用机电设备(如 USB 集线器)，请断开连接，将打印机直接连接到计算机，并重试打印。如果打印正常开始，则机电设备有问题。请与机电设备厂商联系。
- 也可能是 USB 电缆线有问题。更换 USB 电缆线并重试打印。

如果通过 LAN 使用打印机，请确保已正确设置打印机以供网络使用。

检查 3 确保打印机驱动程序已正确安装。

请按照[删除不需要的打印机驱动程序](#)中所述的步骤卸载打印机驱动程序，然后单击此处重新安装。

检查 4 使用 USB 电缆线将打印机连接到计算机时，从计算机检查设备状态。

请按照以下步骤检查设备状态。

1. 选择**控制面板 > 硬件和声音 > 设备管理器**。

▶▶▶ 注释

- 如果出现**用户帐户控制**屏幕，请选择**继续**。

2. 打开**USB 打印支持属性**。

双击**通用串行总线控制器**，然后双击**USB 打印支持**。

▶▶▶ 注释

- 如果没有显示**USB 打印支持属性**屏幕，请确保打印机已正确连接到计算机。

■ [检查 2 确保打印机已正确连接到计算机。](#)

3. 单击**常规**选项卡并检查设备问题。

如果显示设备错误，请参见 Windows 帮助以解决该错误。

其他错误信息(Windows)

检查 如果打印机状态监视器外出现错误信息，请检查以下内容：

- “**硬盘空间不足，无法成功地执行后台处理**”

删除不需要的文件以增加磁盘可用空间。

- “**内存不足，无法成功地执行后台处理**”

关闭其他应用程序以增加可用的内存。

如果仍然无法打印，请重新启动计算机并重试打印。

- “**找不到打印机驱动程序**”

请按照[删除不需要的打印机驱动程序](#)中所述的步骤卸载打印机驱动程序，然后单击此处重新安装。

- “**无法打印应用程序名称 - 文件名称**”

完成当前作业后，请再次试打印。



兼容 PictBridge(Wi-Fi)的设备出现错误信息



以下是从兼容 PictBridge(Wi-Fi)的设备直接打印时可能出现的错误，以及消除这些错误的措施。

注释

- 本节描述兼容 PictBridge(Wi-Fi)的 Canon 品牌设备上提示的错误。根据所用的设备，错误信息和操作可能有所不同。对于兼容 PictBridge(Wi-Fi)的非 Canon 品牌设备错误，请检查打印机的 LCD 屏幕上显示的支持代码(错误编号)，并采取适当措施解决错误。

■ 与错误对应的支持代码列表

- 有关兼容 PictBridge(Wi-Fi)的设备上提示的错误及其解决方案，也可参阅设备的说明手册。有关设备的其他问题，请联系设备制造商。

兼容 PictBridge(Wi-Fi)的设备上的错误信息	处理方法
正在打印	<p>如果打印机正在从计算机打印或正在预热，请等待至作业结束。</p> <p>如果您正在注册纸张信息，请完成注册。</p> <p>打印机就绪后，将自动开始打印。</p> <p>如果不是上述情况，请检查打印机的 LCD 屏幕上的支持代码，并采取适当措施解决错误。</p> <p>■ 与错误对应的支持代码列表</p>
无纸	<p>装入纸张，然后在兼容 PictBridge(Wi-Fi)设备的显示屏幕中选择继续打印，或按打印机的 OK 按钮。</p>
纸张错误/纸张类型不正确	<p>检查打印机的 LCD 屏幕上的支持代码，并采取适当的措施解决错误。</p> <p>■ 与错误对应的支持代码列表</p>
卡纸	<p>在兼容 PictBridge(Wi-Fi)的设备显示屏幕中选择停止以停止打印。</p> <p>检查打印机 LCD 屏幕上的支持代码以及卡纸的状况，然后正确取出纸张。</p> <p>■ 与错误对应的支持代码列表(卡纸)</p> <p>然后装入新纸张并重试打印。</p>
打印机盖打开	<p>关闭打印机上盖。</p>
打印头未安装	<p>检查打印机的 LCD 屏幕上的支持代码，并采取适当的措施解决错误。</p> <p>■ 与错误对应的支持代码列表</p>
废液仓满 / 墨水收集器已满	<p>检查打印机的 LCD 屏幕上的支持代码，并采取适当的措施解决错误。</p> <p>■ 与错误对应的支持代码列表</p>
无墨 / 墨盒错误	<p>检查打印机的 LCD 屏幕上的支持代码，并采取适当的措施解决错误。</p> <p>■ 与错误对应的支持代码列表</p>

墨水错误	<p>检查打印机的 LCD 屏幕上的支持代码，并采取适当的措施解决错误。</p> <p>■ ■ 与错误对应的支持代码列表</p>
硬件错误	<p>检查打印机的 LCD 屏幕上的支持代码，并采取适当的措施解决错误。</p> <p>■ ■ 与错误对应的支持代码列表</p>
打印机错误	<p>可能已出现需要维修的故障。</p> <p>关闭打印机并拔出插头。</p> <p>插入打印机插头，然后重新开启。</p> <p>如果此操作未能解决问题，请与最近的 Canon 服务中心联系以要求维修。</p>

如果无法解决问题

如果按照本章中的说明进行操作无法解决问题，请通过 Canon 网站的支持页面联系 Canon 或联系最近的 Canon 服务中心。

Canon 客户支持员工都经过专业的培训，能够提供令客户满意的技术支持。

注意

- 如果打印机发出任何异常声音、烟雾或气味，请立即关闭打印机。拔出打印机插头，然后联系本机的经销商或最近的 Canon 服务中心。切勿尝试自行修理或拆卸打印机。
 - 即使未过保修期，尝试自行修理或拆卸打印机也将导致保修失效。
-

联系服务中心前，请注意以下事项：

- 产品名称
(打印机的名称写在安装手册的封面上。)
- 序列号(请参见[打印网络设置](#))
- 问题的详细资料
- 尝试解决问题的操作以及结果

与错误对应的支持代码列表

发生错误时，打印机的 LCD 屏幕和您的计算机屏幕上会显示支持代码。

“支持代码”表示错误编号，并伴随错误信息一起出现。

发生错误时，请检查支持代码并采取相应的措施。

支持代码出现在打印机的 LCD 屏幕和计算机屏幕上

• 1000 到 1ZZZ

[1000](#) 1001 1002 1006 [1013](#) 1062

[1200](#) [1250](#) 1261 [1300](#) 1308 [1401](#)

1403 1405 1408 1409 140A 140C

1410 1411 1412 1413 1414 1415

1416 1417 [1600](#) [1660](#) 1684 [1688](#)

[1689](#) 168C [1700](#) 1701 1730 1731

1830 1850 1851 1855 1856 1857

[1890](#)

• 2000 到 2ZZZ

2103 [2114](#) [2115](#) 2123 2124 2500

2503

• 3000 到 3ZZZ

3000 3306 3310 3311 3312 3313

3314 3315 3316 3317 3318 3319

3413 3439 3440 3441 3442 3443

3444 3445 3446 3447

• 4000 到 4ZZZ

4100 [4103](#) 4104 4109 4111 495A

• 5000 到 5ZZZ

[5100](#) [5200](#) 520C 520E 5400 5700

[5B00](#) 5B01 5B22 5C02

• **6000 到 6ZZZ**

[6000](#) 6001 6004 6500 6502 6700

6701 6800 6801 6830 6831 6832

6833 6900 6901 6902 6910 6911

6920 6921 6930 6931 6932 6933

6940 6941 6942 6943 6944 6945

6946 6A80 6A81 6D01

• **7000 到 7ZZZ**

7600 7700 7800 7802

• **8000 到 8ZZZ**

8200 8300

• **A000 到 ZZZZ**

B400 [C000](#)

有关卡纸支持代码，另请参见[与错误对应的支持代码列表\(卡纸\)](#)。

与错误对应的支持代码列表(卡纸)

如果卡纸，请按照如下所示的适当步骤取出卡纸。

- 如果看见出纸槽/上端进纸盘/手动进纸托盘中卡纸：
 - [1300](#)
- 如果纸张撕裂且无法从出纸槽/上端进纸盘/手动进纸托盘中取出卡纸，或如果打印机内部发生卡纸：
 - [打印机内卡纸](#)
- 如果小尺寸纸张卡纸：
 - 打印机内发生小尺寸纸张卡纸
- 除上述以外的其他情况：
 - 其他情况

原因

出纸槽/上端进纸盘/手动进纸托盘中卡纸。

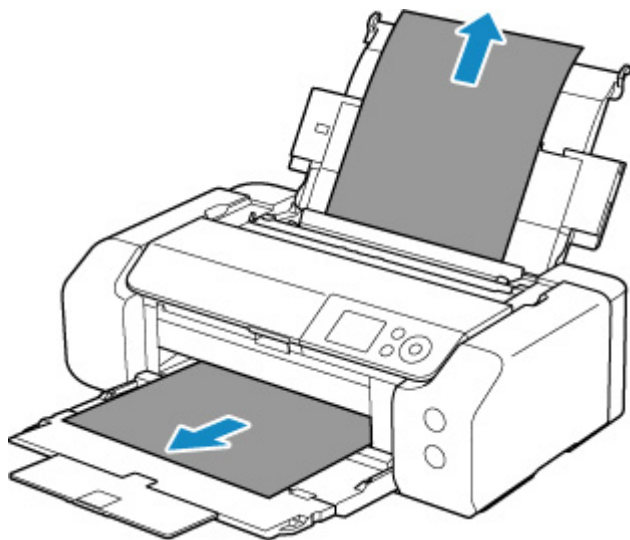
处理方法

根据纸张来源清除卡纸。

如果装入上端进纸盘的纸张发生卡纸：

1. 请从出纸槽或上端进纸盘中较容易拉出纸张的一端，慢慢地拉出纸张。

用双手捏住纸张，然后慢慢将其拉出以免撕裂。



►► 注释

- 如果无法拉出卡纸，请重新开启打印机，无需强行拉出。纸张可能会自动输出。
- 如果在打印过程中卡纸，并且需要关闭打印机才能将其取出，请在关闭打印机之前按打印机的 **停止按钮** 停止打印。
- 如果纸张撕裂且无法从出纸槽或上端进纸盘中取出卡纸，则从打印机内部取出卡纸。

■ [打印机内卡纸](#)

2. 重新装入纸张，然后按打印机的 **OK** 按钮。

打印机恢复打印。如果正在打印的页面因为卡纸而未正确打印，请重新打印该页。

如果在步骤 1 中关闭打印机，将清除发送到打印机的打印数据。重新打印。

►► 注释

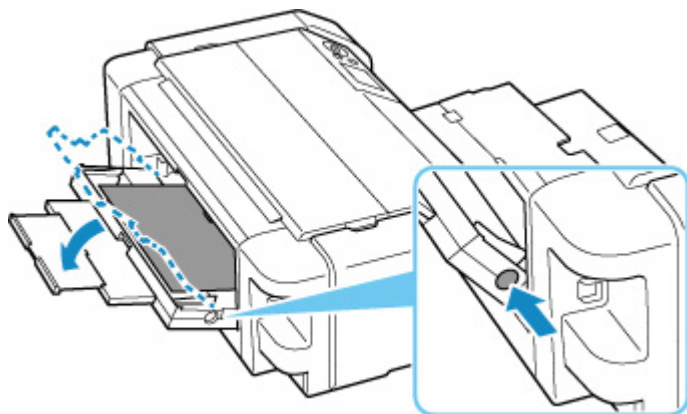
- 重新装入纸张时，请确保使用合适的纸张并将其正确装入打印机。同时，请确保上端进纸盘中的纸张没有靠着墙壁或其他障碍物。如果纸张接触墙壁，可能会导致纸张无法正确送入打印机。

- 建议使用除 A5 以外的纸张尺寸打印照片或图形文档。A5 纸张在从打印机输出时，可能会卷曲并卡纸。

如果以上措施未能解决问题，请与最近的 Canon 服务中心联系以要求维修。

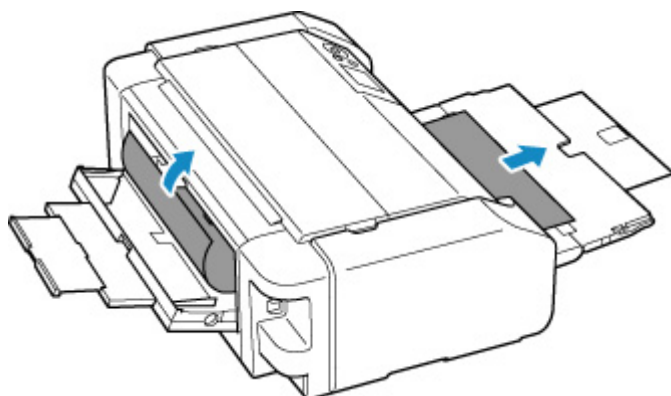
如果装入手动进纸托盘的纸张发生卡纸：

1. 按下**卡纸清除**按钮并将手动进纸托盘设置为清除卡纸位置。



2. 请从出纸槽或手动进纸托盘选择较容易拉出的一端，慢慢地拉出纸张。

用双手捏住纸张，然后慢慢将其拉出以免撕裂。

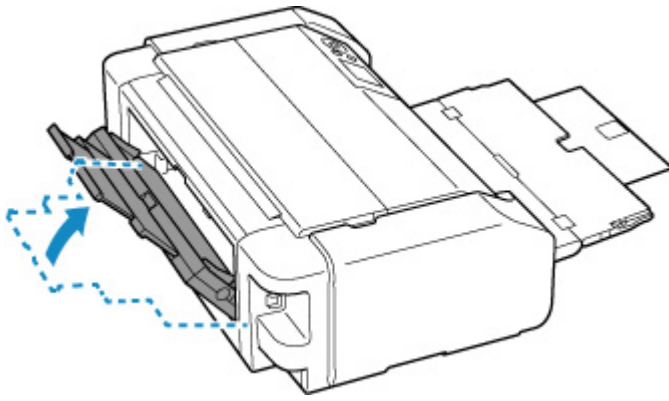


注 释

- 如果无法拉出卡纸，请重新开启打印机，无需强行拉出。纸张可能会自动输出。
- 如果在打印过程中卡纸，并且需要关闭打印机才能将其取出，请在关闭打印机之前按打印机的**停止**按钮停止打印。
- 如果纸张撕裂且无法从出纸槽或手动进纸托盘中取出卡纸，则从打印机内部取出卡纸。

■ 打印机内卡纸

3. 将手动进纸托盘恢复原位。



4. 重新装入纸张，然后按打印机的 **OK 按钮。**

打印机恢复打印。如果正在打印的页面因为卡纸而未正确打印，请重新打印该页。

如果在步骤 2 中关闭打印机，将清除发送到打印机的打印数据。重新打印。

▶▶▶ 注释

- 重新装入纸张时，请确保使用合适的纸张并将其正确装入打印机。同时，请确保上端进纸盘中的纸张没有靠着墙壁或其他障碍物。如果纸张接触墙壁，可能会导致纸张无法正确送入打印机。

如果以上措施未能解决问题，请与最近的 Canon 服务中心联系以要求维修。

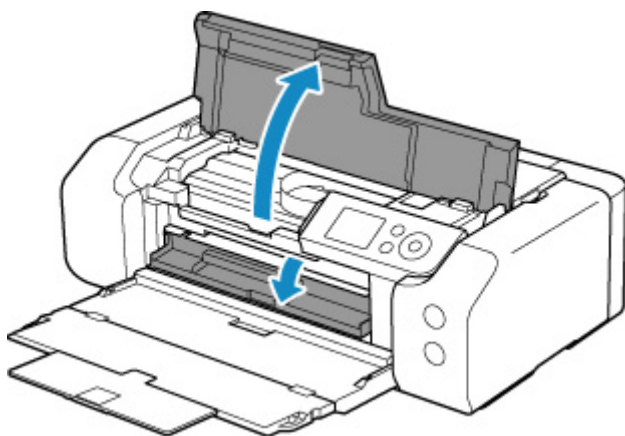
打印机内卡纸

如果卡纸撕裂且无法从出纸槽/上端进纸盘/手动进纸托盘取出，或者如果卡纸仍留在打印机内，请按照以下说明取出卡纸。

注釋

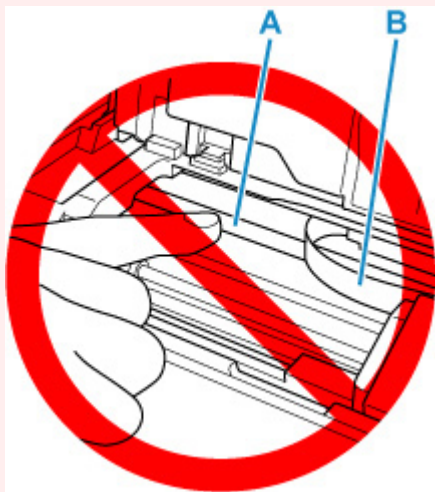
- 如果在打印过程中卡纸，并且需要关闭打印机才能将其取出，请在关闭打印机之前按打印机的**停止按钮**停止打印。

1. 关闭打印机并拔出插头。
2. 打开上盖和多用途托盘导引器。



重要事項

- 请勿触摸透明薄膜(A)或白色带子(B)。

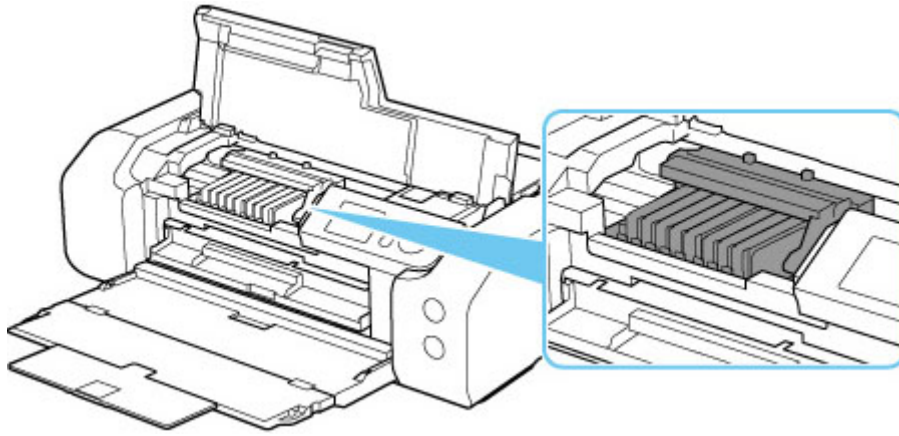


如果用纸张或手碰触到这个部件而将其弄脏或划伤，可能会损坏打印机。

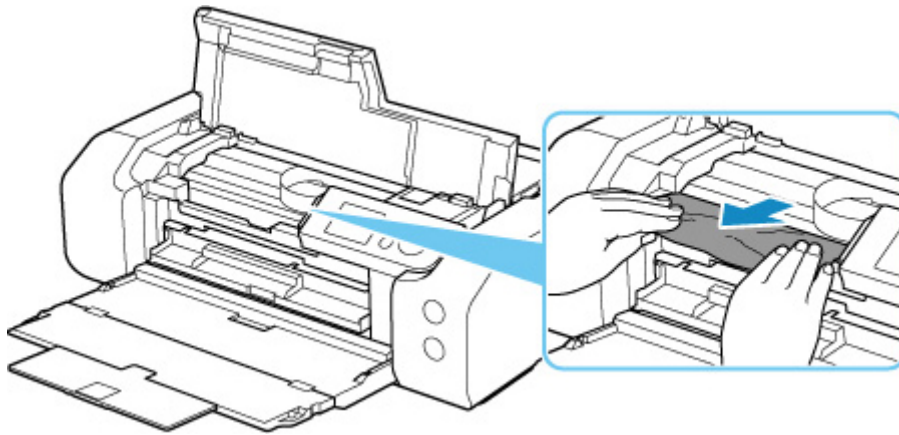
3. 检查卡纸是否在打印头固定器下方。

如果卡纸在打印头固定器下方，请将打印头固定器移动到右边缘或左边缘(更容易取出卡纸的一侧)。

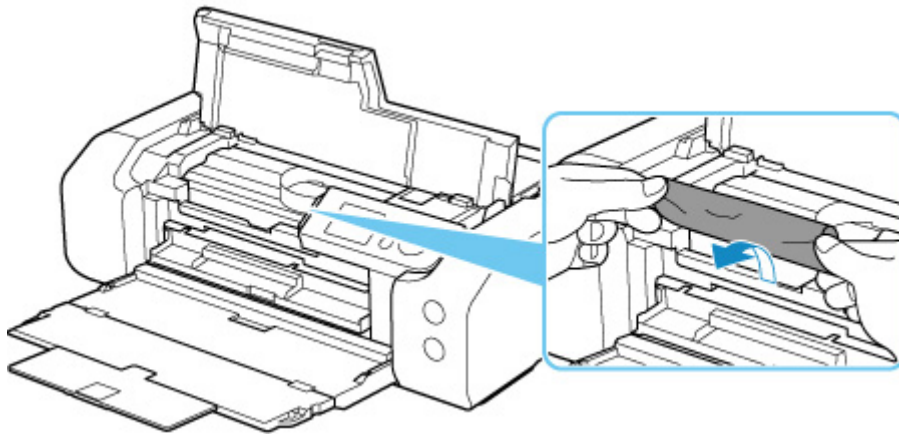
移动打印头固定器时，握住打印头固定器的顶端并慢慢地将其移动到右边缘或左边缘。



4. 用双手紧握卡纸。

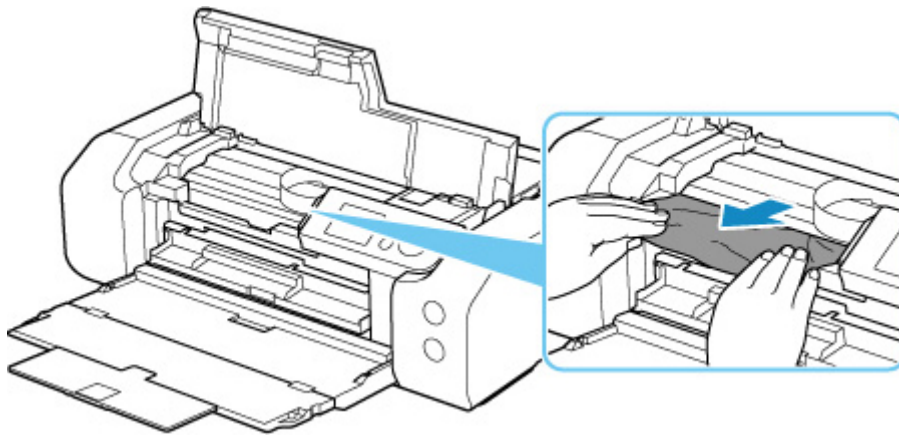


如果纸张卷曲，将其拉出。



5. 慢慢拉出纸张以免其撕裂。

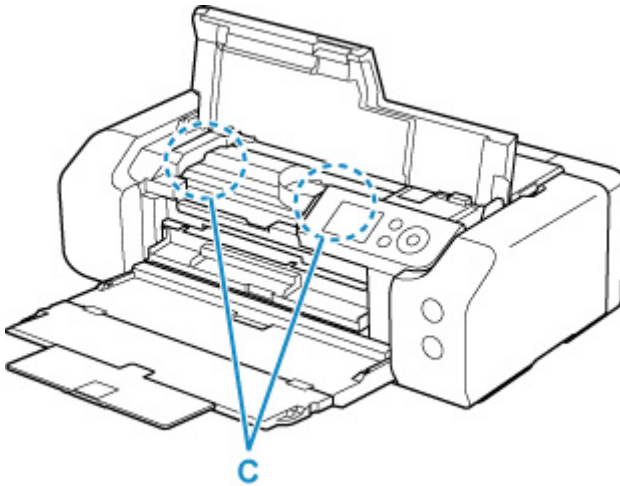
以约 45 度的倾斜角度拉出纸张。



6. 确保已取出所有卡纸。

如果拉出纸张时纸张撕裂，打印机内可能残留纸张碎片。检查以下各项并取出所有残留纸张。

- 打印头固定器下方是否有纸张残留？
- 打印机内部是否有纸张碎片残留？
- 打印机内部的左侧和右侧空间(C)是否有纸张残留？



7. 关闭上盖。

打印队列中所有的作业将被取消。重新打印。

注釋

- 重新装入纸张时，请确保使用合适的纸张并将其正确装入打印机。
如果在取出所有卡纸后恢复打印时，打印机的 LCD 屏幕或计算机屏幕上出现卡纸消息，则打印机内可能还有一些纸张。再次检查打印机是否有任何残留纸张碎片。

如果以上措施未能解决问题，请与最近的 Canon 服务中心联系以要求维修。

原因

可能包括以下原因。

- 上端进纸盘中无纸。
- 纸张未正确装入上端进纸盘。

处理方法

采取以下相应解决方法。

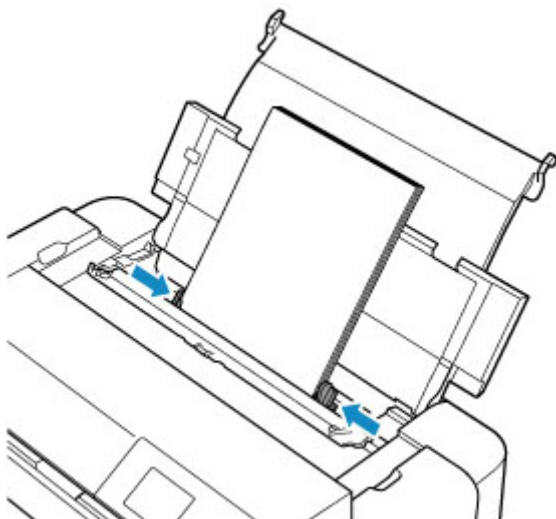
- 在上端进纸盘中装入纸张。

■ [在上端进纸盘中装入纸张](#)

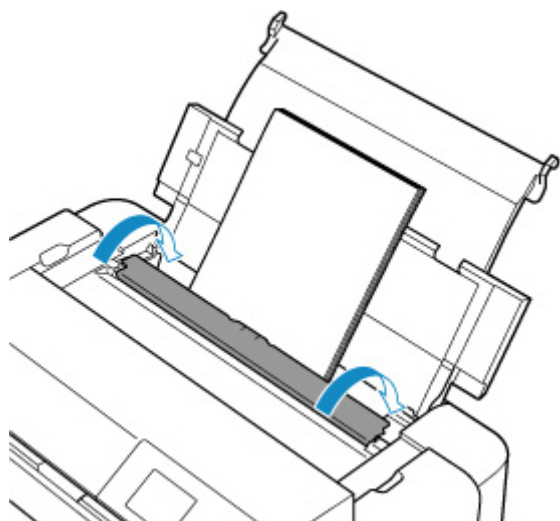
▶▶▶ 注释

- 根据纸张来源，可装入的纸张会有所不同。有关可在上端进纸盘中装入的纸张的详细资料，请参阅[在上端进纸盘中装入纸张](#)。
- 在首次设置打印机时，对齐打印头之前，在上端进纸盘中装入一张 A4/Letter 尺寸的普通纸。

- 将上端进纸盘的纸张导片与纸张的两个边缘对齐。



- 关闭进纸插槽盖板。



采取上述措施后，按打印机的 **OK** 按钮。

注释

- 要取消打印，按打印机的**停止**按钮。

原因

多用途托盘上未放入多用途托盘兼容介质，或介质位置未对齐。

处理方法

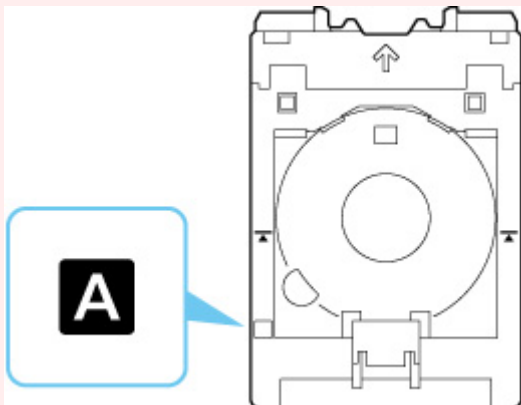
取出多用途托盘，正确放置多用途托盘兼容介质，然后将多用途托盘安装到打印机。

■ 放置多用途托盘

然后按打印机的 **OK** 按钮以清除错误。

▶▶▶ 重要事项

- 在支持多用途托盘的介质上打印时，请使用随附的多用途托盘(带有“A”标记)。



▶▶▶ 注释

- 要取消打印，按打印机的**停止**按钮。

1200

原因

上盖打开。

处理方法

关闭上盖并等待一段时间。

请勿忘记将其关闭，例如在更换墨水盒之后。

1250

原因

出纸托盘关闭。

处理方法

打开出纸托盘。

原因

打印头可能未正确安装或已损坏。

处理方法

采取以下相应解决方法。

- 请安装打印头。
- 如果已经安装打印头，请取下并重新安装。
然后关闭上盖。
- 关闭打印机，然后重新开启。

如果以上措施未能解决问题，请与最近的 Canon 服务中心联系以要求维修。

原因

墨水可能已用完。

处理方法

如果打印正在进行，建议停止打印，更换墨水盒，然后重新打印。

如果打印正在进行并希望继续打印，请在不取出墨水盒的情况下按 **OK** 按钮。然后可以在墨水用完的情况下继续打印。打印完成后请立即更换空墨盒。如果在墨水用完的情况下继续打印，打印机可能会被损坏。

1660

原因

没有安装墨水盒。

处理方法

请安装墨水盒。

原因

墨水已用完。

处理方法

请更换墨水盒，然后关闭上盖。

如果希望在这种情况下继续打印，您需要禁用剩余墨水量检测功能。按住打印机的**停止**按钮至少 5 秒，然后松开。

如果执行该操作，禁用剩余墨水量检测功能将被记录。

请注意，对于因使用非原装 Canon 墨水盒或者使用非原装 Canon 墨水而导致的任何故障或问题，Canon 将不承担任何责任。

▶▶▶ 注释

- 如果禁用剩余墨水量检测功能，则在 LCD 监视器的估计墨水量屏幕上，墨水盒会显示为白色。

原因

打印机检测出墨水用完情况。

处理方法

请更换墨水盒，然后关闭上盖。

安装了用尽过的墨水盒。

如果希望继续打印，您需要禁用剩余墨水量检测功能。要禁用该功能，请按住打印机的**停止**按钮至少 5 秒，然后松开。

如果执行该操作，禁用剩余墨水量检测功能将被记录。

请注意，对于因使用非原装 Canon 墨水盒或者使用非原装 Canon 墨水而导致的任何故障或问题，Canon 将不承担任何责任。

》》 注释

- 如果禁用剩余墨水量检测功能，则在 LCD 监视器的估计墨水量屏幕上，墨水盒会显示为白色。

1700

原因

墨水收集器将满。

处理方法

按打印机的 **OK** 按钮继续打印。请与最近的 Canon 服务中心联系以要求维修。

▶▶ 注释

- 如果因剩余墨水量而导致出现警告或错误，打印机将无法打印。

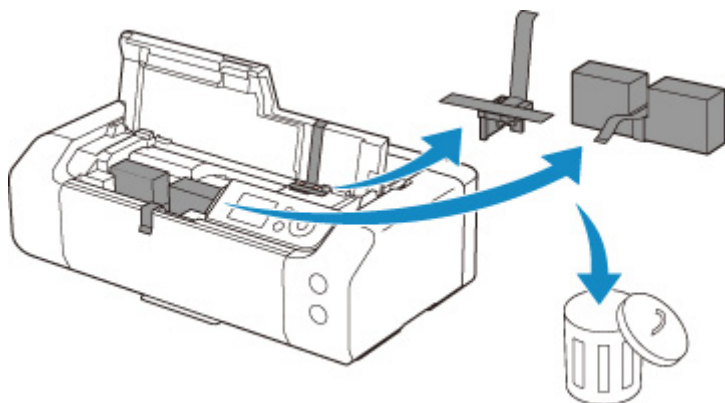
原因

运输用保护材料可能仍未取下。

处理方法

打开上盖，确保已取下用于固定打印头固定器的保护材料。

如果保护材料仍未取下，请取下并关闭上盖。



在第一次进行打印机设置的情况下，请单击此处，在页面上选择您的打印机名称，并按照说明进行操作。

原因

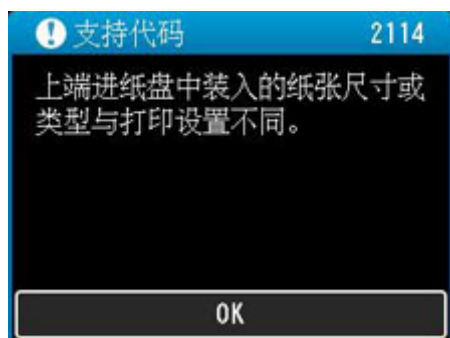
打印时指定的纸张设置与在打印机中注册的上端进纸盘的纸张信息不匹配。

注释

- 有关打印机驱动程序中指定的纸张设置和打印机中注册的纸张信息的适当组合，请参阅以下内容。
 - [打印机驱动程序和打印机上的纸张设置\(介质类型\)\(Windows\)](#)
 - [打印机驱动程序和打印机上的纸张设置\(介质类型\)\(macOS\)](#)
 - [打印机驱动程序和打印机上的纸张设置\(纸张尺寸\)\(Windows\)](#)
 - [打印机驱动程序和打印机上的纸张设置\(纸张尺寸\)\(macOS\)](#)
- 有关如何在打印机中注册纸张信息，请参阅以下内容。
 - [注册纸张信息](#)

例如，如果打印时指定的纸张设置与打印机中注册的上端进纸盘的纸张信息不同，则打印机 LCD 屏幕上显示以下信息。

- 打印时在打印机驱动程序上指定的纸张设置：
 - 纸张尺寸：**A5**
 - 纸张类型：**普通纸**
- 在打印机中注册的上端进纸盘的纸张信息：
 - 纸张尺寸：**A4**
 - 纸张类型：**普通纸**



按打印机的 **OK** 按钮时，LCD 屏幕上显示打印时指定的纸张设置。



处理方法

使用 ◀▶ 按钮选择下一步，然后按打印机的 **OK** 按钮以显示以下屏幕。



使用 ▲▼ 按钮选择适当的操作，然后按打印机的 **OK** 按钮。

►► 注释

- 根据设置的不同，可能不会显示以下部分选项。

以装入的纸张进行打印。

选择此选项可使用打印时指定的纸张设置在装入的纸张上打印。

例如，如果打印时指定的纸张尺寸为 A5，而为上端进纸盘注册的纸张信息为 A4，则选择此选项可以 A5 设置在上端进纸盘中装入的 A4 纸张上打印。

替换纸张并打印

选择此选项可在更换上端进纸盘中的纸张后进行打印。

例如，如果打印时指定的纸张尺寸为 A5，而为上端进纸盘注册的纸张信息为 A4，则选择此选项可以在上端进纸盘中的纸张更换为 A5 纸张后进行打印。

更换纸张并关闭进纸插槽盖板后，将显示上端进纸盘的纸张信息注册屏幕。根据装入的纸张在打印机上注册纸张信息。

►► 注释

- 如果您不知道要在上端进纸盘中装入的纸张尺寸和纸张类型，请按打印机的**返回**按钮。显示纸张尺寸和纸张类型。
- 有关打印机驱动程序中指定的纸张设置和打印机中注册的纸张信息的适当组合，请参阅以下内容。

- [打印机驱动程序和打印机上的纸张设置\(介质类型\)\(Windows\)](#)
- [打印机驱动程序和打印机上的纸张设置\(介质类型\)\(macOS\)](#)
- [打印机驱动程序和打印机上的纸张设置\(纸张尺寸\)\(Windows\)](#)
- [打印机驱动程序和打印机上的纸张设置\(纸张尺寸\)\(macOS\)](#)

取消打印

取消打印。

如果要更改打印时指定的纸张设置，请选择此选项。更改纸张设置并重试打印。

►► 注释

- 要禁止显示防止误打印的信息，请按如下所述更改设置。禁止显示信息时，无论上端进纸盘中装入的纸张是否与打印时指定的纸张设置相匹配，打印机都会使用打印时指定的纸张设置。
 - 要在不使用打印机驱动程序打印时更改是否显示防止误打印信息：

■ 纸张相关设置

- 要在使用打印机驱动程序打印时更改是否显示防止误打印信息：
 - [更改打印机操作模式\(Windows\)](#)
 - [更改打印机操作模式\(macOS\)](#)

原因

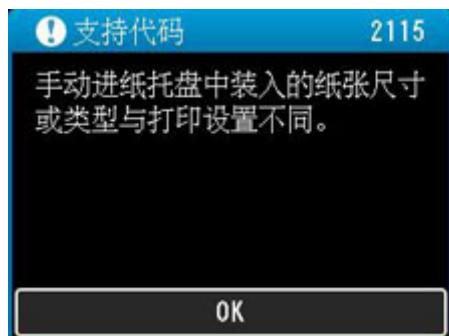
打印时指定的纸张设置与在打印机中注册的手动进纸托盘的纸张信息不匹配。

注释

- 有关打印机驱动程序中指定的纸张设置和打印机中注册的纸张信息的适当组合，请参阅以下内容。
 - [打印机驱动程序和打印机上的纸张设置\(介质类型\)\(Windows\)](#)
 - [打印机驱动程序和打印机上的纸张设置\(介质类型\)\(macOS\)](#)
 - [打印机驱动程序和打印机上的纸张设置\(纸张尺寸\)\(Windows\)](#)
 - [打印机驱动程序和打印机上的纸张设置\(纸张尺寸\)\(macOS\)](#)
- 有关如何在打印机中注册纸张信息，请参阅以下内容。
 - [注册纸张信息](#)

例如，如果在打印时指定的纸张设置与在打印机中注册的手动进纸托盘的纸张信息不同，则打印机的 LCD 屏幕上显示以下信息。

- 打印时在打印机驱动程序上指定的纸张设置：
 - 纸张尺寸：**A4**
 - 纸张类型：**高级光面照片纸 II A**
- 在打印机中注册的手动进纸托盘的纸张信息：
 - 纸张尺寸：**A3**
 - 纸张类型：**高级光面 II A**



按打印机的 **OK** 按钮时，LCD 屏幕上显示打印时指定的纸张设置。



处理方法

使用 ◀▶ 按钮选择下一步，然后按打印机的 **OK** 按钮以显示以下屏幕。



使用 ▲▼ 按钮选择适当的操作，然后按打印机的 **OK** 按钮。

▶▶▶ 注释

- 根据设置的不同，可能不会显示以下部分选项。

使用手动进纸托盘设置

选择此选项可使用打印时指定的纸张设置在装入的纸张上打印。

例如，如果打印时指定的纸张尺寸为 A4，而为手动进纸托盘注册的纸张信息为 A3，则选择此选项可以 A4 设置在手动进纸托盘中装入的 A3 纸张上打印。

替换纸张并打印

选择此选项可在更换手动进纸托盘中的纸张后进行打印。

例如，如果打印时指定的纸张尺寸为 A4，而为手动进纸托盘注册的纸张信息为 A3，则选择此选项可以在手动进纸托盘中的纸张更换为 A4 纸张后进行打印。

更换纸张后，出现手动进纸托盘的纸张信息注册屏幕。根据装入的纸张在打印机上注册纸张信息。

▶▶▶ 注释

- 如果您不知道要在手动进纸托盘中装入的纸张尺寸和纸张类型，请按打印机的**返回**按钮。显示纸张尺寸和纸张类型。
- 有关打印机驱动程序中指定的纸张设置和打印机中注册的纸张信息的适当组合，请参阅以下内容。
 - [打印机驱动程序和打印机上的纸张设置\(介质类型\)\(Windows\)](#)
 - [打印机驱动程序和打印机上的纸张设置\(介质类型\)\(macOS\)](#)
 - [打印机驱动程序和打印机上的纸张设置\(纸张尺寸\)\(Windows\)](#)
 - [打印机驱动程序和打印机上的纸张设置\(纸张尺寸\)\(macOS\)](#)

取消

取消打印。

如果要更改打印时指定的纸张设置，请选择此选项。更改纸张设置并重试打印。

▶▶▶ 注释

- 要禁止显示防止误打印的信息，请按如下所述更改设置。禁止显示信息时，无论手动进纸托盘中装入的纸张是否与纸张设置相匹配，打印机都会使用打印时指定的纸张设置。
 - 要在不使用打印机驱动程序打印时更改是否显示防止误打印信息：

■ 纸张相关设置

- 要在使用打印机驱动程序打印时更改是否显示防止误打印信息：
 - [更改打印机操作模式\(Windows\)](#)
 - [更改打印机操作模式\(macOS\)](#)

4103

原因

使用当前打印设置无法执行打印。

处理方法

按打印机的**停止**按钮取消打印。

更改打印时指定的打印设置，然后重试打印。

原因

发生打印机错误。

处理方法

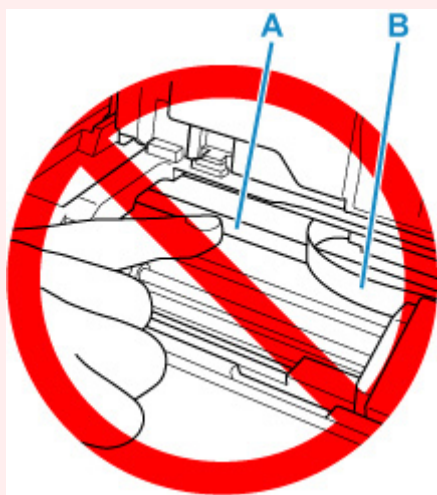
如果正在打印，请按打印机的**停止**按钮取消打印，然后关闭打印机。

检查以下各项：

- 确保用于固定打印头固定器的保护材料，以及卡纸等不会阻碍打印头固定器的移动。
移除所有障碍物。

重要事项

- 清除妨碍打印头固定器移动的障碍物时，请注意不要触摸透明薄膜(A)或白色安全带(B)。



如果用纸张或手碰触到这个部件而将其弄脏或划伤，可能会损坏打印机。

- 确保墨水盒已正确安装。
按墨水盒，直至其锁定到位。

再次开启打印机。

如果此操作未能解决问题，请与最近的 Canon 服务中心联系以要求维修。

5200

原因

发生打印机错误。

处理方法

关闭打印机并拔出插头。

一段时间后，重新插入打印机插头并再次启动。

如果此操作未能解决问题，请与最近的 Canon 服务中心联系以要求维修。

5B00

原因

发生打印机错误。

处理方法

请与最近的 Canon 服务中心联系以要求维修。

▶▶ 注释

- 如果因剩余墨水量而导致出现警告或错误，打印机将无法打印。

6000

原因

发生打印机错误。

处理方法

关闭打印机并拔出插头。

重新插入打印机插头，然后重新开启。

如果此操作未能解决问题，请与最近的 Canon 服务中心联系以要求维修。

C000

原因

发生打印机错误。

处理方法

关闭打印机并拔出插头。

重新插入打印机插头，然后重新开启。

如果此操作未能解决问题，请与最近的 Canon 服务中心联系以要求维修。